

CprE 281: Digital Logic

Instructor: Alexander Stoytchev

<http://www.ece.iastate.edu/~alexs/classes/>

Synthesis

Using AND, OR, and NOT Gates

CprE 281: Digital Logic
Iowa State University, Ames, IA
Copyright © Alexander Stoytchev

Administrative Stuff

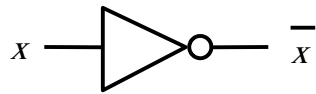
- **HW2 is due on Wednesday Sep 6 @ 10pm**
- **Please write clearly on the first page the following three things:**
 - **Your First and Last Name**
 - **Your Student ID Number**
 - **Your Lab Section Letter**
- **Submit on Canvas as *one* PDF file.**
- **Please orient your pages such that the text can be read without the need to rotate the page.**

Administrative Stuff

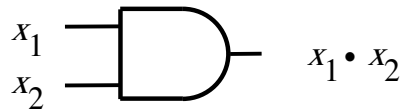
- **Next week we will start with Lab2**
- **Read the lab assignment and do the prelab at home.**
- **Complete the prelab on paper before you go to the lab. Otherwise you'll lose 20% of your grade for that lab.**

Quick Review

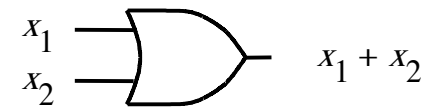
The Three Basic Logic Gates



NOT gate

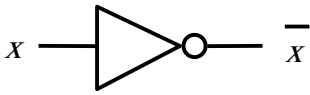


AND gate



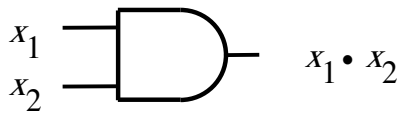
OR gate

Truth Table for NOT



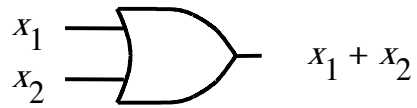
| x | \bar{x} |
|-----|-----------|
| 0 | 1 |
| 1 | 0 |

Truth Table for AND



| x_1 | x_2 | $x_1 \cdot x_2$ |
|-------|-------|-----------------|
| 0 | 0 | 0 |
| 0 | 1 | 0 |
| 1 | 0 | 0 |
| 1 | 1 | 1 |

Truth Table for OR



| x_1 | x_2 | $x_1 + x_2$ |
|-------|-------|-------------|
| 0 | 0 | 0 |
| 0 | 1 | 1 |
| 1 | 0 | 1 |
| 1 | 1 | 1 |

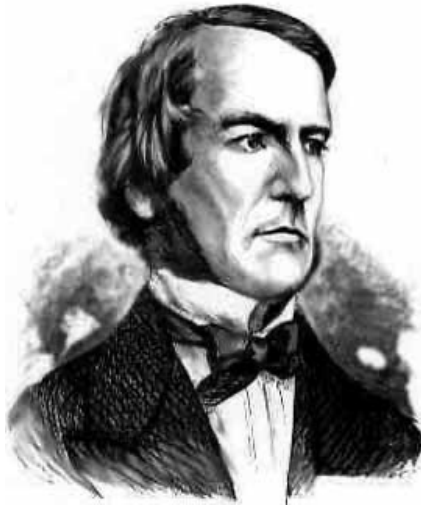
Truth Tables for AND and OR

| x_1 | x_2 | $x_1 \cdot x_2$ | $x_1 + x_2$ |
|-------|-------|-----------------|-------------|
| 0 | 0 | 0 | 0 |
| 0 | 1 | 0 | 1 |
| 1 | 0 | 0 | 1 |
| 1 | 1 | 1 | 1 |

AND

OR

Boolean Algebra



George Boole
1815-1864

- **An algebraic structure consists of**
 - a set of elements $\{0, 1\}$
 - binary operators $\{+, \bullet\}$
 - and a unary operator $\{ ' \}$ or $\{ \bar{} \}$ or $\{ \sim \}$
- **Introduced by George Boole in 1854**
- **An effective means of describing circuits built with switches**
- **A powerful tool that can be used for designing and analyzing logic circuits**

Different Notations for Negation

- All three of these mean “negate x”

- x'

- \bar{x}

- $\sim x$

Operator Precedence

- In regular arithmetic and algebra, multiplication takes precedence over addition.
- This is also true in Boolean algebra.
- For example, $x + y \cdot z$ means
multiply y by z and add the product to x .
- In other words, $x + y \cdot z$ is equal to $x + (y \cdot z)$,
not $(x + y) \cdot z$.

The multiplication dot is optional

- In regular algebra, the multiplication operator is often omitted to shorten the equations.
- This is also true in Boolean algebra.
- Both of these mean the same thing:
 xy is equal to $x \cdot y$

Operator Precedence

(three different ways to write the same)

$$x_1 \cdot x_2 + \bar{x}_1 \cdot \bar{x}_2$$

$$(x_1 \cdot x_2) + ((\bar{x}_1) \cdot (\bar{x}_2))$$

$$x_1x_2 + \bar{x}_1\bar{x}_2$$

Operator Precedence

- **Negation of a single variable takes precedence over multiplication of that variable with another variable.**
- **For example,**

$\bar{A} B$ means negate A first and then multiply \bar{A} by B

Operator Precedence

- However, a horizontal bar over a product of two variables means that the negation is performed after the product is computed.
- For example,

$\overline{A B}$ means multiply A and B and then negate

Operator Precedence

- Note that these two expressions are different:

$\overline{A B}$ is not equal to $\overline{A} \overline{B}$

$\overline{A B}$ means multiply A and B and then negate

$\overline{A} \overline{B}$ means negate A and B separately and then multiply

Operator Precedence

- Note that these two expressions are different:

$\overline{A B}$ is not equal to $\overline{A} \overline{B}$

| A | B | $\overline{A B}$ |
|---|---|------------------|
| 0 | 0 | 1 |
| 0 | 1 | 1 |
| 1 | 0 | 1 |
| 1 | 1 | 0 |

| A | B | $\overline{A} \overline{B}$ |
|---|---|-----------------------------|
| 0 | 0 | 1 |
| 0 | 1 | 0 |
| 1 | 0 | 0 |
| 1 | 1 | 0 |

DeMorgan's Theorem

$$15a. \quad \overline{x \cdot y} = \bar{x} + \bar{y}$$

$$15b. \quad \overline{x + y} = \bar{x} \cdot \bar{y}$$

Proof of DeMorgan's theorem

$$15a. \quad \overline{x \cdot y} = \bar{x} + \bar{y}$$

| x | y | $x \cdot y$ | $\overline{x \cdot y}$ | \bar{x} | \bar{y} | $\bar{x} + \bar{y}$ |
|-----|-----|-------------|------------------------|-----------|-----------|---------------------|
| 0 | 0 | 0 | 1 | 1 | 1 | 1 |
| 0 | 1 | 0 | 1 | 1 | 0 | 1 |
| 1 | 0 | 0 | 1 | 0 | 1 | 1 |
| 1 | 1 | 1 | 0 | 0 | 0 | 0 |

$\underbrace{\hspace{10em}}_{\text{LHS}} \qquad \underbrace{\hspace{10em}}_{\text{RHS}}$

Proof of DeMorgan's theorem

$$15a. \quad \overline{x \cdot y} = \bar{x} + \bar{y}$$

| x | y | $x \cdot y$ | $\overline{x \cdot y}$ | \bar{x} | \bar{y} | $\bar{x} + \bar{y}$ |
|-----|-----|-------------|------------------------|-----------|-----------|---------------------|
| 0 | 0 | 0 | 1 | 1 | 1 | 1 |
| 0 | 1 | 0 | 1 | 1 | 0 | 1 |
| 1 | 0 | 0 | 1 | 0 | 1 | 1 |
| 1 | 1 | 1 | 0 | 0 | 0 | 0 |

$\underbrace{\hspace{15em}}_{\text{LHS}} \qquad \underbrace{\hspace{15em}}_{\text{RHS}}$

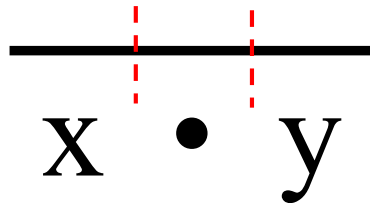
These two columns are equal. Therefore, the theorem is true.

How to remember DeMorgan's theorem

$$\overline{x \cdot y}$$

start with the
left-hand side

How to remember DeMorgan's theorem



divide the bar
into 3 equal parts

How to remember DeMorgan's theorem

$$\overline{x} \cdot \overline{y}$$

erase the
middle segment

How to remember DeMorgan's theorem

$$\overline{x} + \overline{y}$$

change the
product to a sum

How to remember DeMorgan's theorem

$$\overline{x} + \overline{y}$$

this is the
right-hand side

How to remember DeMorgan's theorem

$$\overline{x \cdot y} = \overline{x} + \overline{y}$$

Proof of the other DeMorgan's theorem

15b. $\overline{x + y} = \bar{x} \cdot \bar{y}$

| x | y | $x + y$ | $\overline{x + y}$ | \bar{x} | \bar{y} | $\bar{x} \cdot \bar{y}$ |
|-----|-----|---------|--------------------|-----------|-----------|-------------------------|
| 0 | 0 | 0 | 1 | 1 | 1 | 1 |
| 0 | 1 | 1 | 0 | 1 | 0 | 0 |
| 1 | 0 | 1 | 0 | 0 | 1 | 0 |
| 1 | 1 | 1 | 0 | 0 | 0 | 0 |

$\underbrace{\hspace{15em}}_{\text{LHS}} \qquad \underbrace{\hspace{15em}}_{\text{RHS}}$

Proof of the other DeMorgan's theorem

15b. $\overline{x + y} = \bar{x} \cdot \bar{y}$

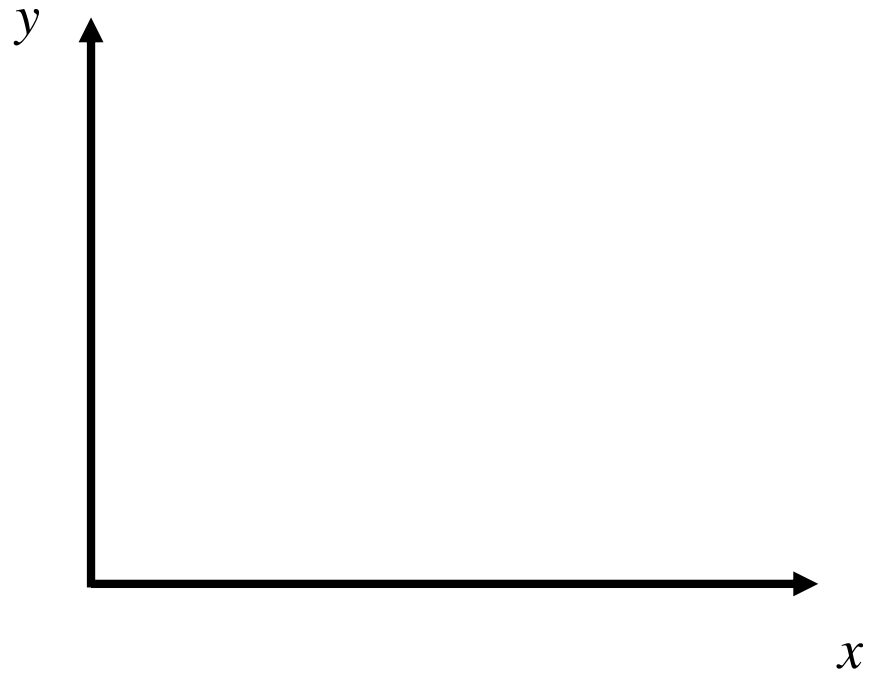
| x | y | $x + y$ | $\overline{x + y}$ | \bar{x} | \bar{y} | $\bar{x} \cdot \bar{y}$ |
|-----|-----|---------|--------------------|-----------|-----------|-------------------------|
| 0 | 0 | 0 | 1 | 1 | 1 | 1 |
| 0 | 1 | 1 | 0 | 1 | 0 | 0 |
| 1 | 0 | 1 | 0 | 0 | 1 | 0 |
| 1 | 1 | 1 | 0 | 0 | 0 | 0 |

$\underbrace{\hspace{10em}}_{\text{LHS}} \qquad \underbrace{\hspace{10em}}_{\text{RHS}}$

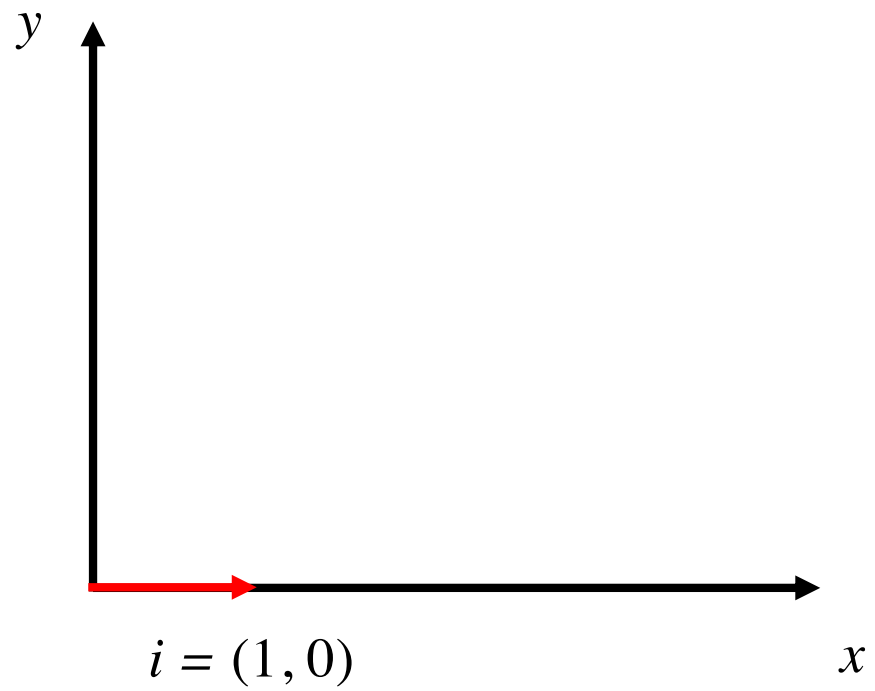
These two columns are equal. Therefore, the theorem is true.

A Short Digression

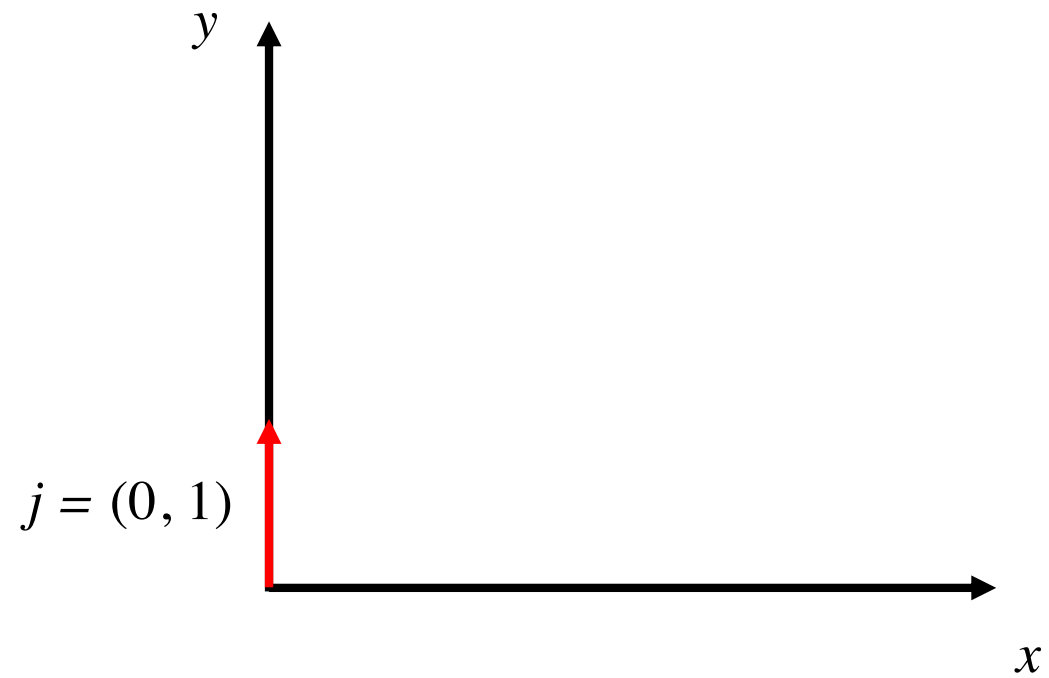
The 2D Plane



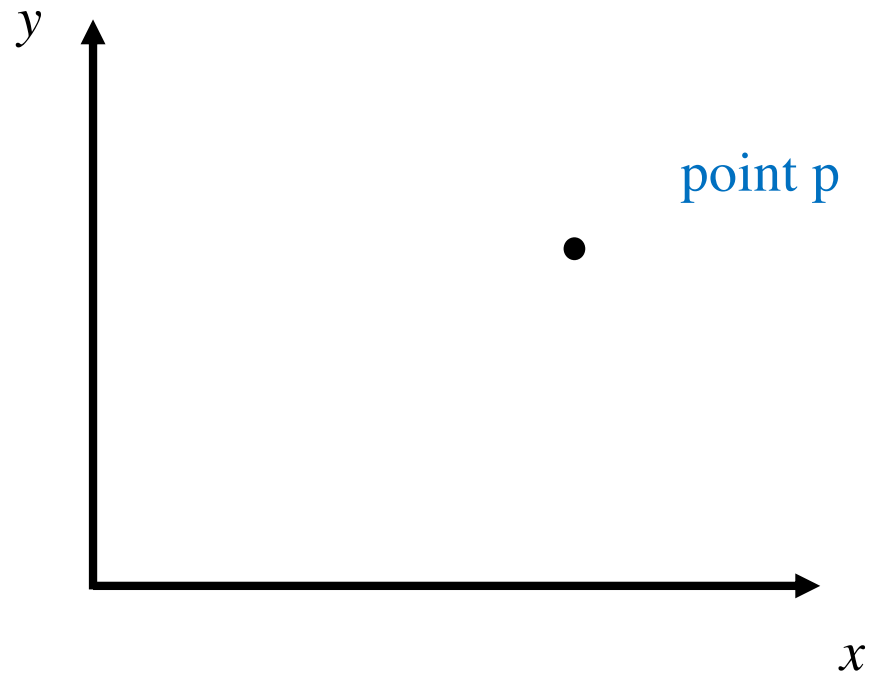
The 2D Plane



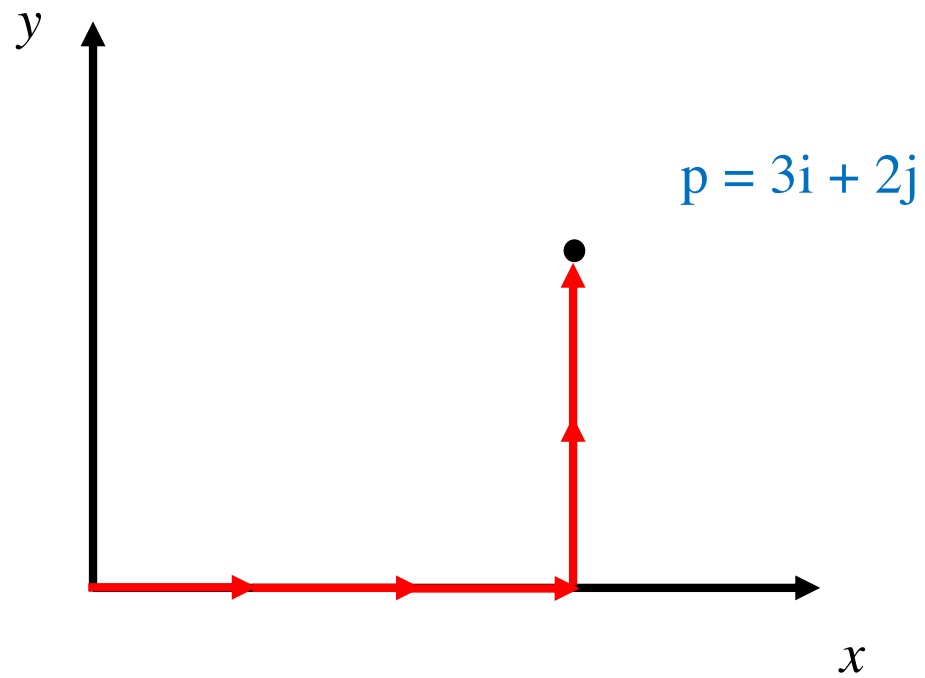
The 2D Plane



The 2D Plane



The 2D Plane



The unit vectors \mathbf{i} and \mathbf{j} form a basis

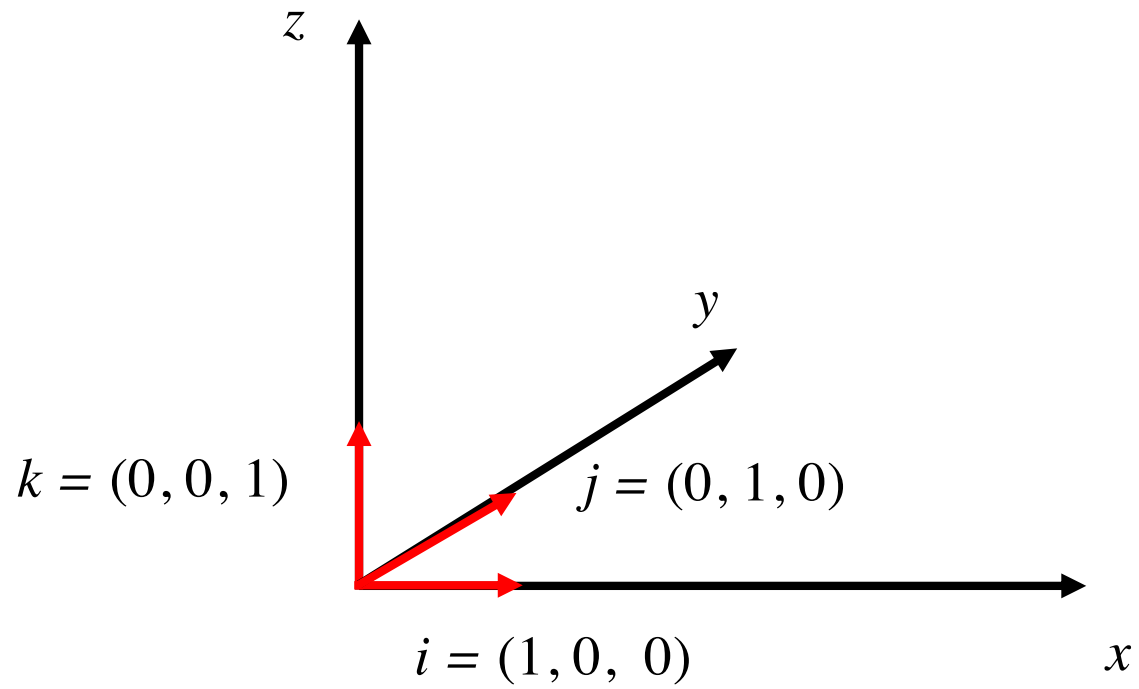
- Any point in the 2D plane can be represented as a linear combination of these two vectors.

$$\mathbf{i} = (1, 0)$$

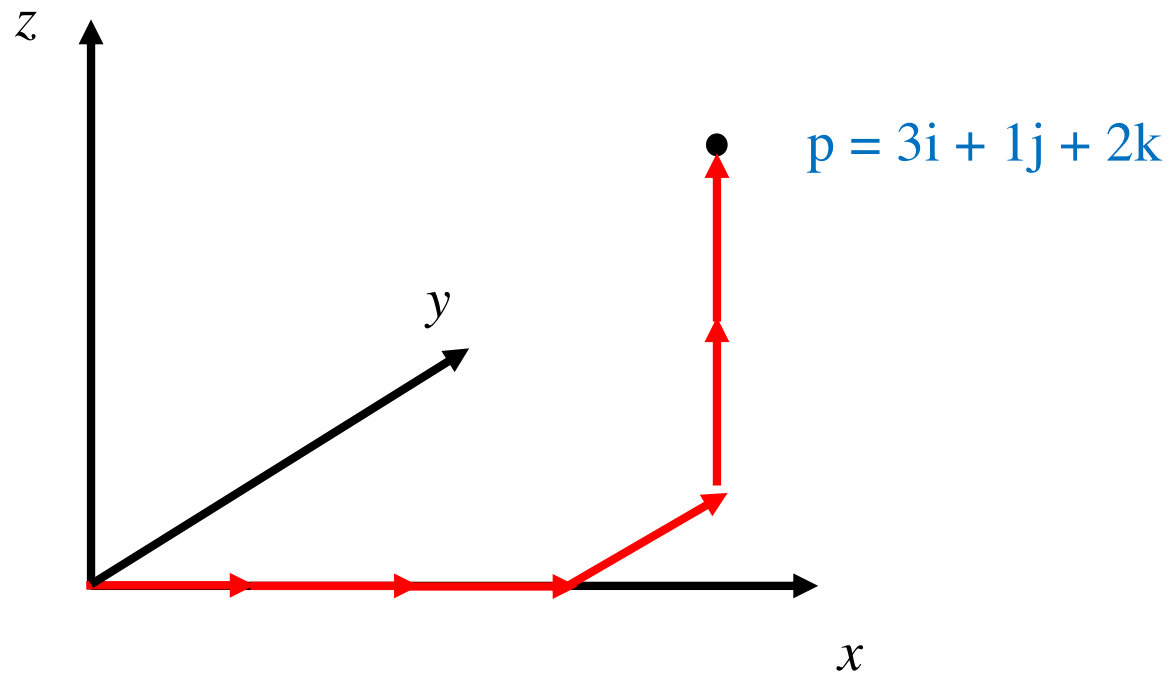
$$\mathbf{j} = (0, 1)$$

Note that there is only one 1 in each.

3D Space



3D Space



The 3D Basis

- In 3D we have i , j , and k

$$i = (1, 0, 0)$$

$$j = (0, 1, 0)$$

$$k = (0, 0, 1)$$

Note that there is only one 1 in each.

Any point in the 3D space can be represented as a linear combination of these three basis vectors.

The 4D Basis

- In 4D we have four vectors

$$\mathbf{x}^1 = (1, 0, 0, 0)$$

$$\mathbf{x}^2 = (0, 1, 0, 0)$$

$$\mathbf{x}^3 = (0, 0, 1, 0)$$

$$\mathbf{x}^4 = (0, 0, 0, 1)$$

Note that there is only one 1 in each.

Any point in this 4D space can be represented as a linear combination of these four basis vectors.

Basis Functions (for two variables)

The Four Basis Functions

| x | y | f₀₀ |
|----------|----------|-----------------------|
| 0 | 0 | 1 |
| 0 | 1 | 0 |
| 1 | 0 | 0 |
| 1 | 1 | 0 |

$f_{00}(x, y)$

| x | y | f₀₁ |
|----------|----------|-----------------------|
| 0 | 0 | 0 |
| 0 | 1 | 1 |
| 1 | 0 | 0 |
| 1 | 1 | 0 |

$f_{01}(x, y)$

| x | y | f₁₀ |
|----------|----------|-----------------------|
| 0 | 0 | 0 |
| 0 | 1 | 0 |
| 1 | 0 | 1 |
| 1 | 1 | 0 |

$f_{10}(x, y)$

| x | y | f₁₁ |
|----------|----------|-----------------------|
| 0 | 0 | 0 |
| 0 | 1 | 0 |
| 1 | 0 | 0 |
| 1 | 1 | 1 |

$f_{11}(x, y)$

The Four Basis Functions

| x | y | f_{00} |
|---|---|----------|
| 0 | 0 | 1 |
| 0 | 1 | 0 |
| 1 | 0 | 0 |
| 1 | 1 | 0 |

$f_{00}(x, y)$

| x | y | f_{01} |
|---|---|----------|
| 0 | 0 | 0 |
| 0 | 1 | 1 |
| 1 | 0 | 0 |
| 1 | 1 | 0 |

$f_{01}(x, y)$

| x | y | f_{10} |
|---|---|----------|
| 0 | 0 | 0 |
| 0 | 1 | 0 |
| 1 | 0 | 1 |
| 1 | 1 | 0 |

$f_{10}(x, y)$

| x | y | f_{11} |
|---|---|----------|
| 0 | 0 | 0 |
| 0 | 1 | 0 |
| 1 | 0 | 0 |
| 1 | 1 | 1 |

$f_{11}(x, y)$

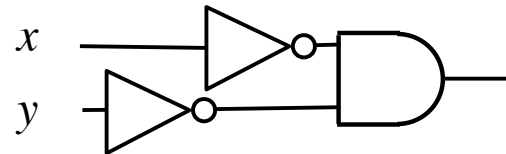
The Four Basis Functions

| x | y | $f_{00}(x, y)$ | $f_{01}(x, y)$ | $f_{10}(x, y)$ | $f_{11}(x, y)$ |
|----------|----------|----------------------------------|----------------------------------|----------------------------------|----------------------------------|
| 0 | 0 | 1 | 0 | 0 | 0 |
| 0 | 1 | 0 | 1 | 0 | 0 |
| 1 | 0 | 0 | 0 | 1 | 0 |
| 1 | 1 | 0 | 0 | 0 | 1 |

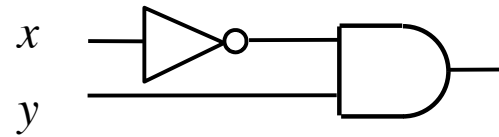
The Four Basis Functions

| x | y | $\bar{x}\bar{y}$ | $\bar{x}y$ | $x\bar{y}$ | xy |
|---|---|------------------|------------|------------|------|
| 0 | 0 | 1 | 0 | 0 | 0 |
| 0 | 1 | 0 | 1 | 0 | 0 |
| 1 | 0 | 0 | 0 | 1 | 0 |
| 1 | 1 | 0 | 0 | 0 | 1 |

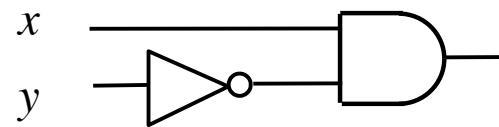
Circuits for the four basis functions



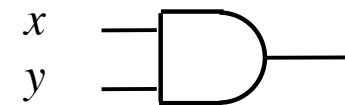
$$f_{00}(x, y) = \bar{x} \bar{y}$$



$$f_{01}(x, y) = \bar{x} y$$



$$f_{10}(x, y) = x \bar{y}$$



$$f_{11}(x, y) = x y$$

The Four Basis Functions

| x | y | f ₀₀ |
|---|---|-----------------|
| 0 | 0 | 1 |
| 0 | 1 | 0 |
| 1 | 0 | 0 |
| 1 | 1 | 0 |

$$f_{00}(x, y) = \bar{x} \bar{y}$$

| x | y | f ₀₁ |
|---|---|-----------------|
| 0 | 0 | 0 |
| 0 | 1 | 1 |
| 1 | 0 | 0 |
| 1 | 1 | 0 |

$$f_{01}(x, y) = \bar{x} y$$

| x | y | f ₁₀ |
|---|---|-----------------|
| 0 | 0 | 0 |
| 0 | 1 | 0 |
| 1 | 0 | 1 |
| 1 | 1 | 0 |

$$f_{10}(x, y) = x \bar{y}$$

| x | y | f ₁₁ |
|---|---|-----------------|
| 0 | 0 | 0 |
| 0 | 1 | 0 |
| 1 | 0 | 0 |
| 1 | 1 | 1 |

$$f_{11}(x, y) = x y$$

The Four Basis Functions

| x | y | f ₀₀ |
|---|---|-----------------|
| 0 | 0 | 1 |
| 0 | 1 | 0 |
| 1 | 0 | 0 |
| 1 | 1 | 0 |

| x | y | f ₀₁ |
|---|---|-----------------|
| 0 | 0 | 0 |
| 0 | 1 | 1 |
| 1 | 0 | 0 |
| 1 | 1 | 0 |

| x | y | f ₁₀ |
|---|---|-----------------|
| 0 | 0 | 0 |
| 0 | 1 | 0 |
| 1 | 0 | 1 |
| 1 | 1 | 0 |

| x | y | f ₁₁ |
|---|---|-----------------|
| 0 | 0 | 0 |
| 0 | 1 | 0 |
| 1 | 0 | 0 |
| 1 | 1 | 1 |

$$f_{00}(x, y) = \overline{x} \overline{y}$$

$$f_{01}(x, y) = \overline{x} y$$

$$f_{10}(x, y) = x \overline{y}$$

$$f_{11}(x, y) = x y$$

Negate the variable if the corresponding subscript of f is 0.

The Four Basis Functions

| x | y | f ₀₀ |
|---|---|-----------------|
| 0 | 0 | 1 |
| 0 | 1 | 0 |
| 1 | 0 | 0 |
| 1 | 1 | 0 |

| x | y | f ₀₁ |
|---|---|-----------------|
| 0 | 0 | 0 |
| 0 | 1 | 1 |
| 1 | 0 | 0 |
| 1 | 1 | 0 |

| x | y | f ₁₀ |
|---|---|-----------------|
| 0 | 0 | 0 |
| 0 | 1 | 0 |
| 1 | 0 | 1 |
| 1 | 1 | 0 |

| x | y | f ₁₁ |
|---|---|-----------------|
| 0 | 0 | 0 |
| 0 | 1 | 0 |
| 1 | 0 | 0 |
| 1 | 1 | 1 |

$$f_{00}(x, y) = \bar{x} \bar{y}$$

$$f_{01}(x, y) = \bar{x} y$$

$$f_{10}(x, y) = x \bar{y}$$

$$f_{11}(x, y) = x y$$

Negate the variable if the corresponding subscript of f is 0.

The Four Basis Functions

| x | y | f ₀₀ |
|---|---|-----------------|
| 0 | 0 | 1 |
| 0 | 1 | 0 |
| 1 | 0 | 0 |
| 1 | 1 | 0 |

| x | y | f ₀₁ |
|---|---|-----------------|
| 0 | 0 | 0 |
| 0 | 1 | 1 |
| 1 | 0 | 0 |
| 1 | 1 | 0 |

| x | y | f ₁₀ |
|---|---|-----------------|
| 0 | 0 | 0 |
| 0 | 1 | 0 |
| 1 | 0 | 1 |
| 1 | 1 | 0 |

| x | y | f ₁₁ |
|---|---|-----------------|
| 0 | 0 | 0 |
| 0 | 1 | 0 |
| 1 | 0 | 0 |
| 1 | 1 | 1 |

$$f_{00}(x, y) = \bar{x} \bar{y}$$

$$f_{01}(x, y) = \bar{x} y$$

$$f_{10}(x, y) = x \bar{y}$$

$$f_{11}(x, y) = x y$$

Negate the variable if the corresponding subscript of f is 0.

minterms
(an alternative name for
the set of basis functions)

The Four Basis Functions

| x | y | f ₀₀ |
|---|---|-----------------|
| 0 | 0 | 1 |
| 0 | 1 | 0 |
| 1 | 0 | 0 |
| 1 | 1 | 0 |

$$f_{00}(x, y) = \bar{x} \bar{y}$$

| x | y | f ₀₁ |
|---|---|-----------------|
| 0 | 0 | 0 |
| 0 | 1 | 1 |
| 1 | 0 | 0 |
| 1 | 1 | 0 |

$$f_{01}(x, y) = \bar{x} y$$

| x | y | f ₁₀ |
|---|---|-----------------|
| 0 | 0 | 0 |
| 0 | 1 | 0 |
| 1 | 0 | 1 |
| 1 | 1 | 0 |

$$f_{10}(x, y) = x \bar{y}$$

| x | y | f ₁₁ |
|---|---|-----------------|
| 0 | 0 | 0 |
| 0 | 1 | 0 |
| 1 | 0 | 0 |
| 1 | 1 | 1 |

$$f_{11}(x, y) = x y$$

The Four Basis Functions (alternative names)

| x | y | f ₀₀ |
|---|---|-----------------|
| 0 | 0 | 1 |
| 0 | 1 | 0 |
| 1 | 0 | 0 |
| 1 | 1 | 0 |

$$f_{00}(x, y) = \bar{x} \bar{y}$$

m₀

| x | y | f ₀₁ |
|---|---|-----------------|
| 0 | 0 | 0 |
| 0 | 1 | 1 |
| 1 | 0 | 0 |
| 1 | 1 | 0 |

$$f_{01}(x, y) = \bar{x} y$$

m₁

| x | y | f ₁₀ |
|---|---|-----------------|
| 0 | 0 | 0 |
| 0 | 1 | 0 |
| 1 | 0 | 1 |
| 1 | 1 | 0 |

$$f_{10}(x, y) = x \bar{y}$$

m₂

| x | y | f ₁₁ |
|---|---|-----------------|
| 0 | 0 | 0 |
| 0 | 1 | 0 |
| 1 | 0 | 0 |
| 1 | 1 | 1 |

$$f_{11}(x, y) = x y$$

m₃

The Four Basis Functions (minterms)

| x | y | m_0 |
|---|---|-------|
| 0 | 0 | 1 |
| 0 | 1 | 0 |
| 1 | 0 | 0 |
| 1 | 1 | 0 |

$$f_{00}(x, y) = \bar{x} \bar{y}$$

m_0

| x | y | m_1 |
|---|---|-------|
| 0 | 0 | 0 |
| 0 | 1 | 1 |
| 1 | 0 | 0 |
| 1 | 1 | 0 |

$$f_{01}(x, y) = \bar{x} y$$

m_1

| x | y | m_2 |
|---|---|-------|
| 0 | 0 | 0 |
| 0 | 1 | 0 |
| 1 | 0 | 1 |
| 1 | 1 | 0 |

$$f_{10}(x, y) = x \bar{y}$$

m_2

| x | y | m_3 |
|---|---|-------|
| 0 | 0 | 0 |
| 0 | 1 | 0 |
| 1 | 0 | 0 |
| 1 | 1 | 1 |

$$f_{11}(x, y) = x y$$

m_3

The Four Basis Functions (minterms)

| x | y | $\bar{x}\bar{y}$ | $\bar{x}y$ | $x\bar{y}$ | xy |
|---|---|------------------|------------|------------|------|
| 0 | 0 | 1 | 0 | 0 | 0 |
| 0 | 1 | 0 | 1 | 0 | 0 |
| 1 | 0 | 0 | 0 | 1 | 0 |
| 1 | 1 | 0 | 0 | 0 | 1 |

Expressions for the minterms

$$m_0 = \bar{x} \bar{y}$$

$$m_1 = \bar{x} y$$

$$m_2 = x \bar{y}$$

$$m_3 = x y$$

Expressions for the minterms

$$0 \ 0 \quad m_0 = \bar{x} \bar{y}$$

$$0 \ 1 \quad m_1 = \bar{x} y$$

$$1 \ 0 \quad m_2 = x \bar{y}$$

$$1 \ 1 \quad m_3 = x y$$

The bars coincide
with the 0's
in the binary expansion
of the minterm sub-index

Expressions for the minterms

$$0 \ 0 \quad m_0 = \bar{x} \bar{y}$$

$$0 \ 1 \quad m_1 = \bar{x} y$$

$$1 \ 0 \quad m_2 = x \bar{y}$$

$$1 \ 1 \quad m_3 = x y$$

The bars coincide
with the 0's
in the binary expansion
of the minterm sub-index

Function Synthesis Example (with two variables)

Synthesize the Following Function

| x_1 | x_2 | $f(x_1, x_2)$ |
|-------|-------|---------------|
| 0 | 0 | 1 |
| 0 | 1 | 1 |
| 1 | 0 | 0 |
| 1 | 1 | 1 |

1) Split the function into a sum of 4 functions

| x_1 | x_2 | $f(x_1, x_2)$ | | $f_{00}(x_1, x_2)$ | $f_{01}(x_1, x_2)$ | $f_{10}(x_1, x_2)$ | $f_{11}(x_1, x_2)$ |
|-------|-------|---------------|--|--------------------|--------------------|--------------------|--------------------|
| 0 | 0 | 1 | | 1 | 0 | 0 | 0 |
| 0 | 1 | 1 | | 0 | 1 | 0 | 0 |
| 1 | 0 | 0 | | 0 | 0 | 1 | 0 |
| 1 | 1 | 1 | | 0 | 0 | 0 | 1 |

1) Split the function into a sum of 4 functions

| x_1 | x_2 | $f(x_1, x_2)$ | $f_{00}(x_1, x_2)$ | $f_{01}(x_1, x_2)$ | $f_{10}(x_1, x_2)$ | $f_{11}(x_1, x_2)$ |
|-------|-------|---------------|--------------------|--------------------|--------------------|--------------------|
| 0 | 0 | 1 | 1 | 0 | 0 | 0 |
| 0 | 1 | 1 | 0 | 1 | 0 | 0 |
| 1 | 0 | 0 | 0 | 0 | 1 | 0 |
| 1 | 1 | 1 | 0 | 0 | 0 | 1 |

$$f(x_1, x_2) = 1 \cdot f_{00} + 1 \cdot f_{01} + 0 \cdot f_{10} + 1 \cdot f_{11}$$

2) Write the expressions for all four

| x_1 | x_2 | $f(x_1, x_2)$ | $f_{00}(x_1, x_2)$ | $f_{01}(x_1, x_2)$ | $f_{10}(x_1, x_2)$ | $f_{11}(x_1, x_2)$ |
|-------|-------|---------------|--------------------|--------------------|--------------------|--------------------|
| 0 | 0 | 1 | 1 | 0 | 0 | 0 |
| 0 | 1 | 1 | 0 | 1 | 0 | 0 |
| 1 | 0 | 0 | 0 | 0 | 1 | 0 |
| 1 | 1 | 1 | 0 | 0 | 0 | 1 |

$$f(x_1, x_2) = \underbrace{1 \cdot f_{00}} + \underbrace{1 \cdot f_{01}} + \underbrace{0 \cdot f_{10}} + \underbrace{1 \cdot f_{11}}$$

2) Write the expressions for all four

| x_1 | x_2 | $f(x_1, x_2)$ | $f_{00}(x_1, x_2)$ | $f_{01}(x_1, x_2)$ | $f_{10}(x_1, x_2)$ | $f_{11}(x_1, x_2)$ |
|-------|-------|---------------|--------------------|--------------------|--------------------|--------------------|
| 0 | 0 | 1 | 1 | 0 | 0 | 0 |
| 0 | 1 | 1 | 0 | 1 | 0 | 0 |
| 1 | 0 | 0 | 0 | 0 | 1 | 0 |
| 1 | 1 | 1 | 0 | 0 | 0 | 1 |

$$f(x_1, x_2) = \underbrace{1 \cdot f_{00}}_{\bar{x}_1 \bar{x}_2} + \underbrace{1 \cdot f_{01}}_{\bar{x}_1 x_2} + \underbrace{0 \cdot f_{10}}_0 + \underbrace{1 \cdot f_{11}}_{x_1 x_2}$$

3) Then just add them together

| x_1 | x_2 | $f(x_1, x_2)$ | $f_{00}(x_1, x_2)$ | $f_{01}(x_1, x_2)$ | $f_{10}(x_1, x_2)$ | $f_{11}(x_1, x_2)$ |
|-------|-------|---------------|--------------------|--------------------|--------------------|--------------------|
| 0 | 0 | 1 | 1 | 0 | 0 | 0 |
| 0 | 1 | 1 | 0 | 1 | 0 | 0 |
| 1 | 0 | 0 | 0 | 0 | 1 | 0 |
| 1 | 1 | 1 | 0 | 0 | 0 | 1 |

$$f(x_1, x_2) = \underbrace{1 \cdot f_{00}} + \underbrace{1 \cdot f_{01}} + \underbrace{0 \cdot f_{10}} + \underbrace{1 \cdot f_{11}}$$

$$f(x_1, x_2) = \bar{x}_1\bar{x}_2 + \bar{x}_1x_2 + 0 + x_1x_2$$

3) Then just add them together

| x_1 | x_2 | $f(x_1, x_2)$ | $f_{00}(x_1, x_2)$ | $f_{01}(x_1, x_2)$ | $f_{10}(x_1, x_2)$ | $f_{11}(x_1, x_2)$ |
|-------|-------|---------------|--------------------|--------------------|--------------------|--------------------|
| 0 | 0 | 1 | 1 | 0 | 0 | 0 |
| 0 | 1 | 1 | 0 | 1 | 0 | 0 |
| 1 | 0 | 0 | 0 | 0 | 1 | 0 |
| 1 | 1 | 1 | 0 | 0 | 0 | 1 |

$$f(x_1, x_2) = \bar{x}_1\bar{x}_2 + \bar{x}_1x_2 + 0 + x_1x_2$$

A function to be synthesized

| x_1 | x_2 | $f(x_1, x_2)$ |
|-------|-------|---------------|
| 0 | 0 | 1 |
| 0 | 1 | 1 |
| 1 | 0 | 0 |
| 1 | 1 | 1 |

[Figure 2.19 from the textbook]

**Let's look at it row by row.
How can we express the last row?**

| x_1 | x_2 | $f(x_1, x_2)$ |
|-------|-------|---------------|
| 0 | 0 | 1 |
| 0 | 1 | 1 |
| 1 | 0 | 0 |
| 1 | 1 | 1 |

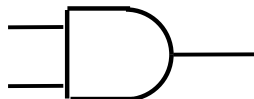
**Let's look at it row by row.
How can we express the last row?**

| x_1 | x_2 | $f(x_1, x_2)$ |
|-------|-------|---------------|
| 0 | 0 | 1 |
| 0 | 1 | 1 |
| 1 | 0 | 0 |
| 1 | 1 | 1 |

x_1x_2

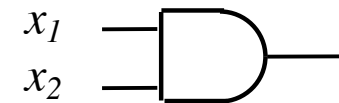
**Let's look at it row by row.
How can we express the last row?**

| x_1 | x_2 | $f(x_1, x_2)$ |
|-------|-------|---------------|
| 0 | 0 | 1 |
| 0 | 1 | 1 |
| 1 | 0 | 0 |
| 1 | 1 | 1 |

x_1 x_2 

What about this row?

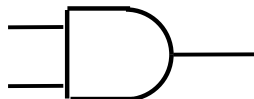
| x_1 | x_2 | $f(x_1, x_2)$ |
|-------|-------|---------------|
| 0 | 0 | 1 |
| 0 | 1 | 1 |
| 1 | 0 | 0 |
| 1 | 1 | 1 |



What about this row?

| x_1 | x_2 | $f(x_1, x_2)$ |
|-------|-------|---------------|
| 0 | 0 | 1 |
| 0 | 1 | 1 |
| 1 | 0 | 0 |
| 1 | 1 | 1 |

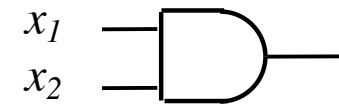
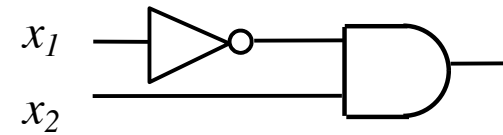
$\bar{x}_1 x_2$

x_1
 x_2 

What about this row?

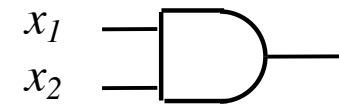
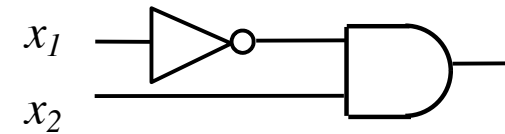
| x_1 | x_2 | $f(x_1, x_2)$ |
|-------|-------|---------------|
| 0 | 0 | 1 |
| 0 | 1 | 1 |
| 1 | 0 | 0 |
| 1 | 1 | 1 |

1



What about the first row?

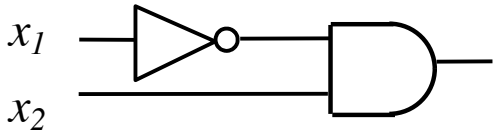
| x_1 | x_2 | $f(x_1, x_2)$ |
|-------|-------|---------------|
| 0 | 0 | 1 |
| 0 | 1 | 1 |
| 1 | 0 | 0 |
| 1 | 1 | 1 |



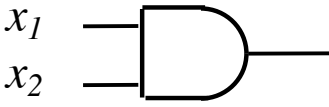
What about the first row?

| x_1 | x_2 | $f(x_1, x_2)$ |
|-------|-------|---------------|
| 0 | 0 | 1 |
| 0 | 1 | 1 |
| 1 | 0 | 0 |
| 1 | 1 | 1 |

$\bar{x}_1\bar{x}_2$



x_1
 x_2



x_1
 x_2

What about the first row?

| x_1 | x_2 | $f(x_1, x_2)$ |
|-------|-------|---------------|
| 0 | 0 | 1 |
| 0 | 1 | 1 |
| 1 | 0 | 0 |
| 1 | 1 | 1 |

The first row of the truth table (0, 0, 1) is highlighted with a green box. To the right of the table, three logic circuit diagrams are shown, each corresponding to a row in the truth table:

- The top diagram, corresponding to the first row (0, 0, 1), shows an AND gate with two inputs. The top input is x_1 and the bottom input is x_2 . Both inputs pass through NOT gates before entering the AND gate.
- The middle diagram, corresponding to the second row (0, 1, 1), shows an AND gate with two inputs. The top input is x_1 and the bottom input is x_2 . Only the top input x_1 passes through a NOT gate before entering the AND gate.
- The bottom diagram, corresponding to the fourth row (1, 1, 1), shows a simple AND gate with two inputs x_1 and x_2 .

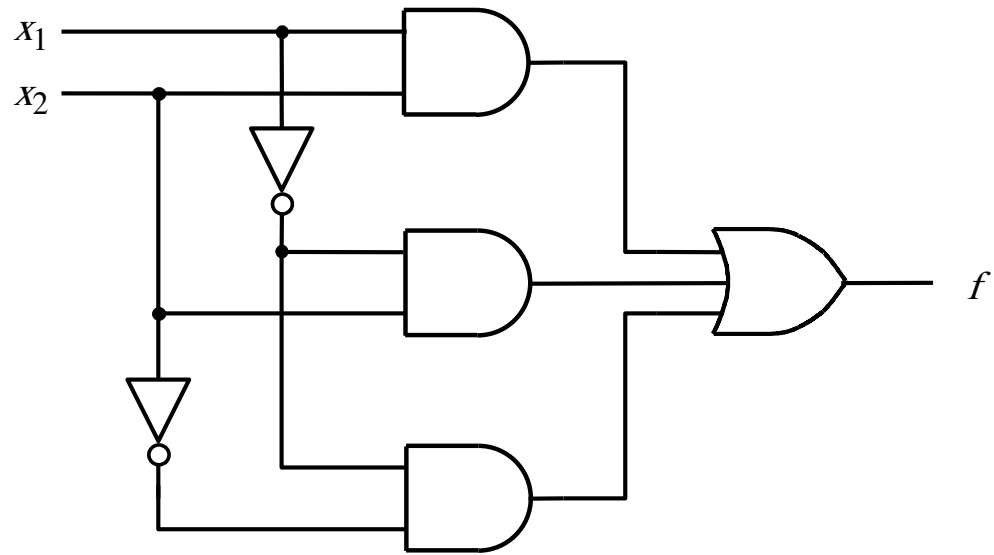
Finally, what about the zero?

| x_1 | x_2 | $f(x_1, x_2)$ |
|-------|-------|---------------|
| 0 | 0 | 1 |
| 0 | 1 | 1 |
| 1 | 0 | 0 |
| 1 | 1 | 1 |

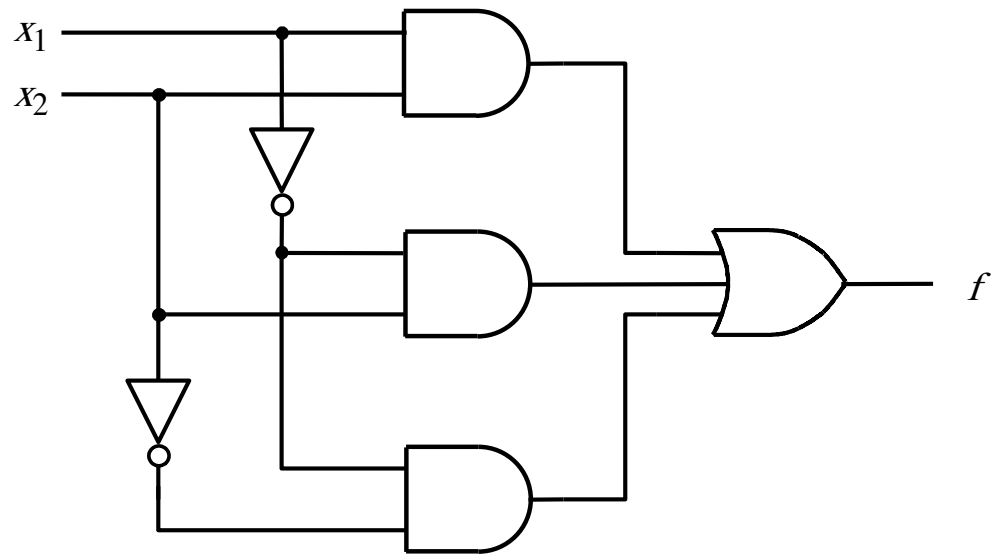
Logic diagrams illustrating the implementation of the function $f(x_1, x_2)$ for each input combination:

- For $(x_1, x_2) = (0, 0)$: x_1 is inverted, x_2 is inverted, and the two inverted signals are ANDed together.
- For $(x_1, x_2) = (0, 1)$: x_1 is inverted, and the inverted signal is ANDed with x_2 .
- For $(x_1, x_2) = (1, 0)$: The output is 0.
- For $(x_1, x_2) = (1, 1)$: x_1 and x_2 are ANDed together.

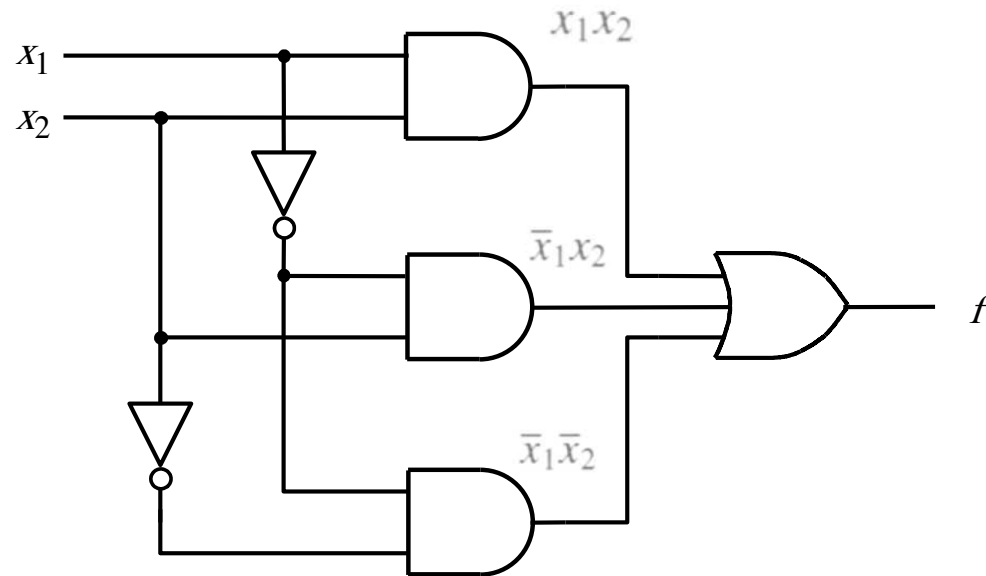
Putting it all together



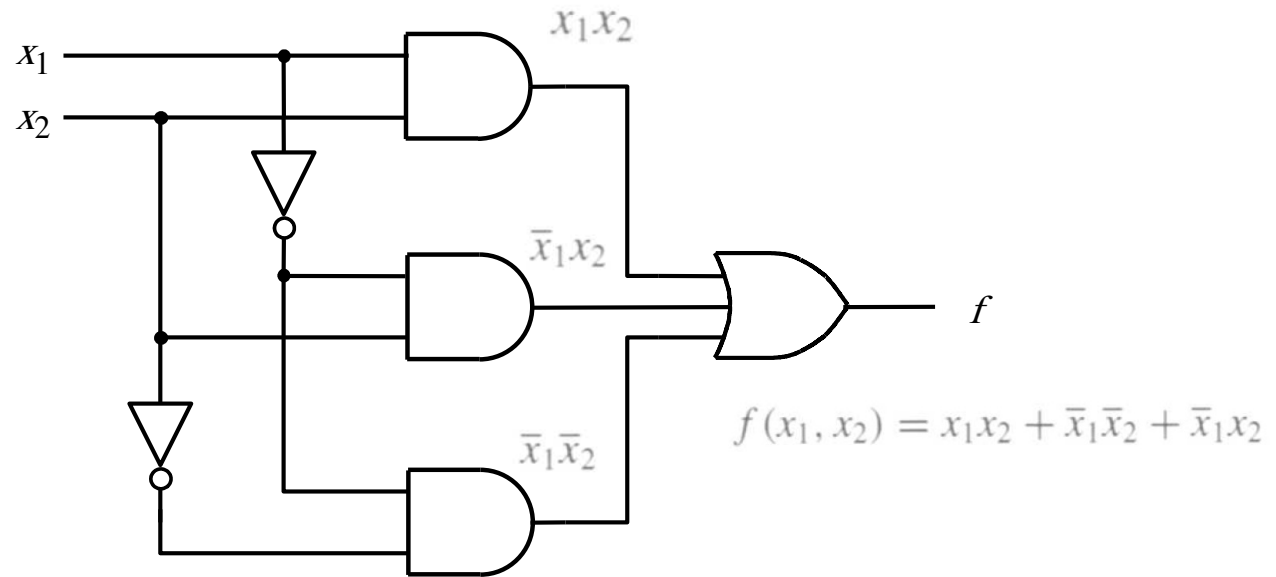
Let's verify that this circuit implements correctly the target truth table



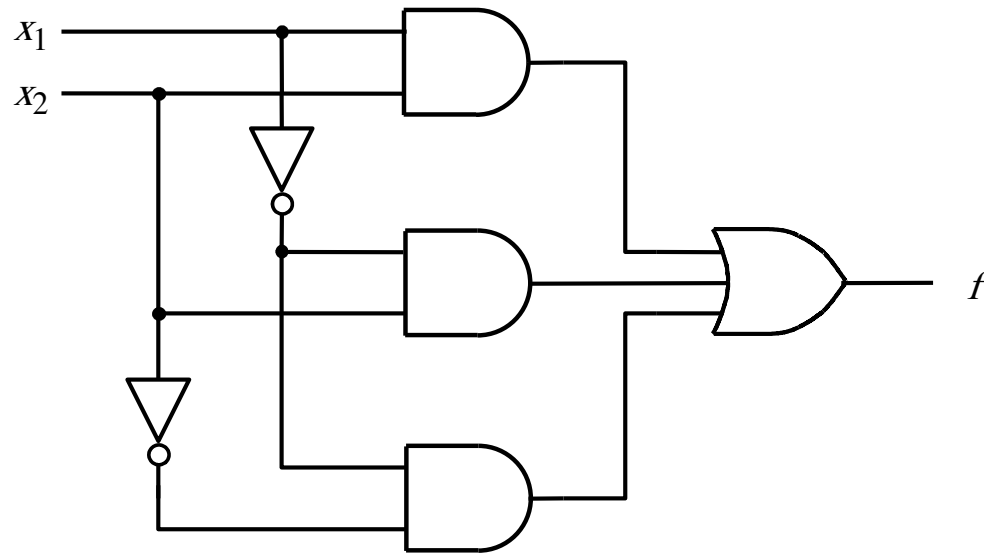
Let's verify that this circuit implements correctly the target truth table



Putting it all together



Canonical Sum-Of-Products (SOP)



$$f(x_1, x_2) = x_1x_2 + \bar{x}_1\bar{x}_2 + \bar{x}_1x_2$$

[Figure 2.20a from the textbook]

Summary of This Procedure

- **Get the truth table of the function**
- **Form a product term (AND gate) for each row of the table for which the function is 1**
- **Each product term contains all input variables**
- **In each row, if $x_i=1$ enter it as x_i , otherwise use \bar{x}_i**
- **Sum all of these products (OR gate) to get the function**

Simplification Steps

$$f(x_1, x_2) = x_1x_2 + \bar{x}_1\bar{x}_2 + \bar{x}_1x_2$$

Simplification Steps

$$f(x_1, x_2) = x_1x_2 + \bar{x}_1\bar{x}_2 + \bar{x}_1x_2$$

replicate
this term

$$f(x_1, x_2) = x_1x_2 + \bar{x}_1\bar{x}_2 + \bar{x}_1x_2 + \bar{x}_1x_2$$

Simplification Steps

$$f(x_1, x_2) = x_1x_2 + \bar{x}_1\bar{x}_2 + \bar{x}_1x_2$$

group
these terms

$$f(x_1, x_2) = x_1x_2 + \bar{x}_1\bar{x}_2 + \bar{x}_1x_2 + \bar{x}_1x_2$$

$$f(x_1, x_2) = (x_1 + \bar{x}_1)x_2 + \bar{x}_1(\bar{x}_2 + x_2)$$

Simplification Steps

$$f(x_1, x_2) = x_1x_2 + \bar{x}_1\bar{x}_2 + \bar{x}_1x_2$$

$$f(x_1, x_2) = x_1x_2 + \bar{x}_1\bar{x}_2 + \bar{x}_1x_2 + \bar{x}_1x_2$$

These two terms are trivially equal to 1

$$f(x_1, x_2) = (x_1 + \bar{x}_1)x_2 + \bar{x}_1(\bar{x}_2 + x_2)$$

$$f(x_1, x_2) = 1 \cdot x_2 + \bar{x}_1 \cdot 1$$

Simplification Steps

$$f(x_1, x_2) = x_1x_2 + \bar{x}_1\bar{x}_2 + \bar{x}_1x_2$$

$$f(x_1, x_2) = x_1x_2 + \bar{x}_1\bar{x}_2 + \bar{x}_1x_2 + \bar{x}_1x_2$$

$$f(x_1, x_2) = (x_1 + \bar{x}_1)x_2 + \bar{x}_1(\bar{x}_2 + x_2)$$

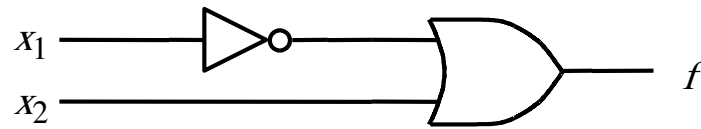
$$f(x_1, x_2) = 1 \cdot x_2 + \bar{x}_1 \cdot 1$$

Drop the 1's

$$f(x_1, x_2) = x_2 + \bar{x}_1$$

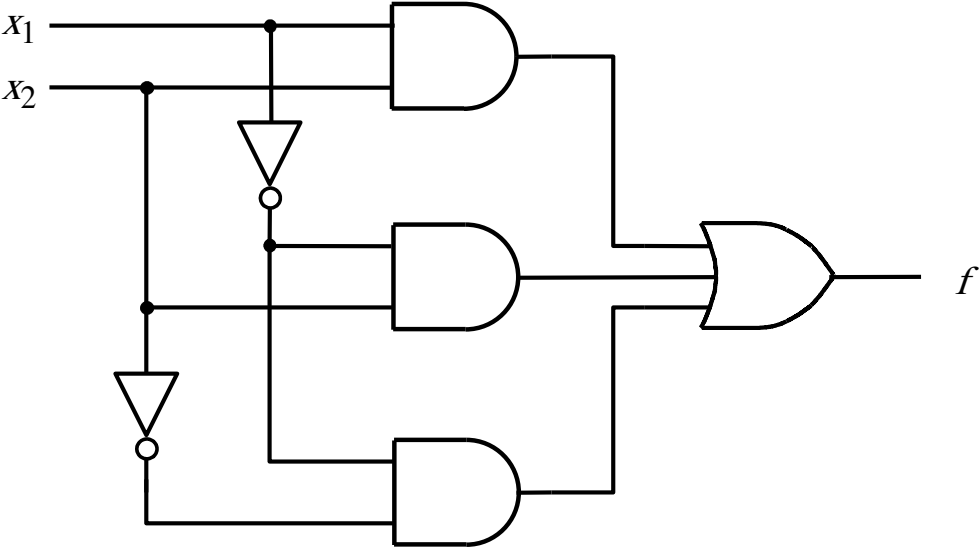
Minimal-cost realization

$$f(x_1, x_2) = x_2 + \bar{x}_1$$

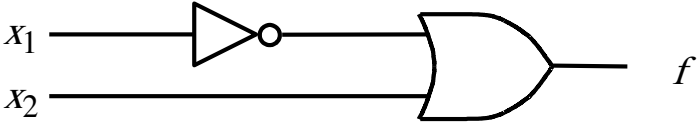


[Figure 2.20b from the textbook]

Two implementations for the same function



(a) Canonical sum-of-products



(b) Minimal-cost realization

[Figure 2.20 from the textbook]

Basis Functions / minterms (for three variables)

Expressions for the minterms

$$m_0 = \bar{x} \bar{y} \bar{z}$$

$$m_1 = \bar{x} \bar{y} z$$

$$m_2 = \bar{x} y \bar{z}$$

$$m_3 = \bar{x} y z$$

$$m_4 = x \bar{y} \bar{z}$$

$$m_5 = x \bar{y} z$$

$$m_6 = x y \bar{z}$$

$$m_7 = x y z$$

Expressions for the minterms

$$0 \ 0 \ 0 \quad m_0 = \bar{x} \bar{y} \bar{z}$$

$$0 \ 0 \ 1 \quad m_1 = \bar{x} \bar{y} z$$

$$0 \ 1 \ 0 \quad m_2 = \bar{x} y \bar{z}$$

$$0 \ 1 \ 1 \quad m_3 = \bar{x} y z$$

$$1 \ 0 \ 0 \quad m_4 = x \bar{y} \bar{z}$$

$$1 \ 0 \ 1 \quad m_5 = x \bar{y} z$$

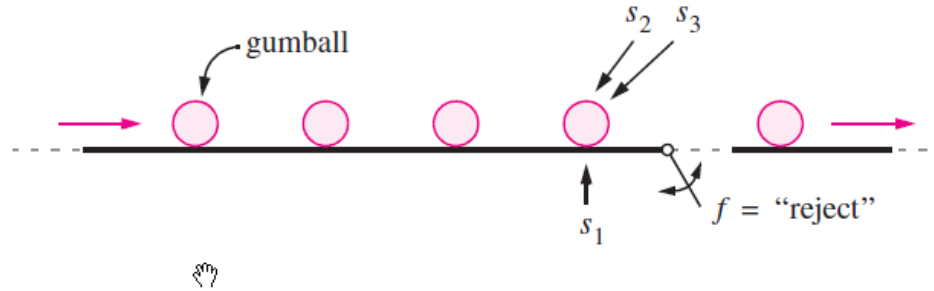
$$1 \ 1 \ 0 \quad m_6 = x y \bar{z}$$

$$1 \ 1 \ 1 \quad m_7 = x y z$$

The bars coincide
with the 0's
in the binary expansion
of the minterm sub-index

Function Synthesis Example (with three variables)

Let's look at another problem



(a) Conveyor and sensors

| s_1 | s_2 | s_3 | f |
|-------|-------|-------|-----|
| 0 | 0 | 0 | 0 |
| 0 | 0 | 1 | 1 |
| 0 | 1 | 0 | 0 |
| 0 | 1 | 1 | 1 |
| 1 | 0 | 0 | 0 |
| 1 | 0 | 1 | 1 |
| 1 | 1 | 0 | 1 |
| 1 | 1 | 1 | 1 |

(b) Truth table

[Figure 2.21 from the textbook]

Let's look at another problem

| s_1 | s_2 | s_3 | f |
|-------|-------|-------|-----|
| 0 | 0 | 0 | 0 |
| 0 | 0 | 1 | 1 |
| 0 | 1 | 0 | 0 |
| 0 | 1 | 1 | 1 |
| 1 | 0 | 0 | 0 |
| 1 | 0 | 1 | 1 |
| 1 | 1 | 0 | 1 |
| 1 | 1 | 1 | 1 |

[Figure 2.21b from the textbook]

Let's look at another problem

| s_1 | s_2 | s_3 | f |
|-------|-------|-------|-----|
| 0 | 0 | 0 | 0 |
| 0 | 0 | 1 | 1 |
| 0 | 1 | 0 | 0 |
| 0 | 1 | 1 | 1 |
| 1 | 0 | 0 | 0 |
| 1 | 0 | 1 | 1 |
| 1 | 1 | 0 | 1 |
| 1 | 1 | 1 | 1 |

Let's look at another problem

| s_1 | s_2 | s_3 | f | |
|-------|-------|-------|-----|---------------------------|
| 0 | 0 | 0 | 0 | |
| 0 | 0 | 1 | 1 | $\bar{s}_1 \bar{s}_2 s_3$ |
| 0 | 1 | 0 | 0 | |
| 0 | 1 | 1 | 1 | $\bar{s}_1 s_2 s_3$ |
| 1 | 0 | 0 | 0 | |
| 1 | 0 | 1 | 1 | $s_1 \bar{s}_2 s_3$ |
| 1 | 1 | 0 | 1 | $s_1 s_2 \bar{s}_3$ |
| 1 | 1 | 1 | 1 | $s_1 s_2 s_3$ |

Let's look at another problem

| s_1 | s_2 | s_3 | f | |
|----------|----------|-------|-----|---------------------------|
| 0 | 0 | 0 | 0 | |
| <u>0</u> | <u>0</u> | 1 | 1 | $\bar{s}_1 \bar{s}_2 s_3$ |
| 0 | 1 | 0 | 0 | |
| 0 | 1 | 1 | 1 | $\bar{s}_1 s_2 s_3$ |
| 1 | 0 | 0 | 0 | |
| 1 | 0 | 1 | 1 | $s_1 \bar{s}_2 s_3$ |
| 1 | 1 | 0 | 1 | $s_1 s_2 \bar{s}_3$ |
| 1 | 1 | 1 | 1 | $s_1 s_2 s_3$ |

Let's look at another problem

| s_1 | s_2 | s_3 | f | |
|----------|----------|-------|-----|---------------------------|
| 0 | 0 | 0 | 0 | |
| <u>0</u> | <u>0</u> | 1 | 1 | $\bar{s}_1 \bar{s}_2 s_3$ |
| 0 | 1 | 0 | 0 | |
| <u>0</u> | 1 | 1 | 1 | $\bar{s}_1 s_2 s_3$ |
| 1 | 0 | 0 | 0 | |
| 1 | 0 | 1 | 1 | $s_1 \bar{s}_2 s_3$ |
| 1 | 1 | 0 | 1 | $s_1 s_2 \bar{s}_3$ |
| 1 | 1 | 1 | 1 | $s_1 s_2 s_3$ |

Let's look at another problem

| s_1 | s_2 | s_3 | f | |
|----------|----------|-------|-----|-------------------------------------|
| 0 | 0 | 0 | 0 | |
| <u>0</u> | <u>0</u> | 1 | 1 | $\overline{s_1} \overline{s_2} s_3$ |
| 0 | 1 | 0 | 0 | |
| <u>0</u> | 1 | 1 | 1 | $\overline{s_1} s_2 s_3$ |
| 1 | 0 | 0 | 0 | |
| 1 | <u>0</u> | 1 | 1 | $s_1 \overline{s_2} s_3$ |
| 1 | 1 | 0 | 1 | $s_1 s_2 \overline{s_3}$ |
| 1 | 1 | 1 | 1 | $s_1 s_2 s_3$ |

Let's look at another problem

| s_1 | s_2 | s_3 | f | |
|----------|----------|----------|-----|-------------------------------------|
| 0 | 0 | 0 | 0 | |
| <u>0</u> | <u>0</u> | 1 | 1 | $\overline{s_1} \overline{s_2} s_3$ |
| 0 | 1 | 0 | 0 | |
| <u>0</u> | 1 | 1 | 1 | $\overline{s_1} s_2 s_3$ |
| 1 | 0 | 0 | 0 | |
| 1 | <u>0</u> | 1 | 1 | $s_1 \overline{s_2} s_3$ |
| 1 | 1 | <u>0</u> | 1 | $s_1 s_2 \overline{s_3}$ |
| 1 | 1 | 1 | 1 | $s_1 s_2 s_3$ |

Let's look at another problem

| s_1 | s_2 | s_3 | f | |
|-------|-------|-------|-----|-------------------------|
| 0 | 0 | 0 | 0 | |
| 0 | 0 | 1 | 1 | $\bar{s}_1\bar{s}_2s_3$ |
| 0 | 1 | 0 | 0 | |
| 0 | 1 | 1 | 1 | $\bar{s}_1s_2s_3$ |
| 1 | 0 | 0 | 0 | |
| 1 | 0 | 1 | 1 | $s_1\bar{s}_2s_3$ |
| 1 | 1 | 0 | 1 | $s_1s_2\bar{s}_3$ |
| 1 | 1 | 1 | 1 | $s_1s_2s_3$ |

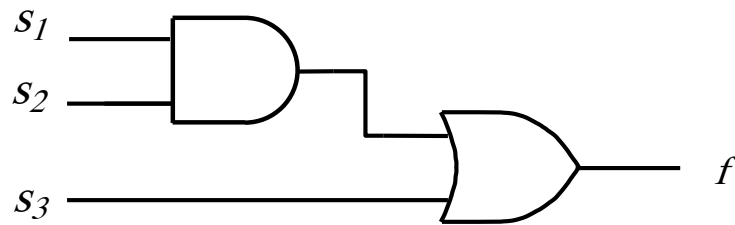
$$f = \bar{s}_1\bar{s}_2s_3 + \bar{s}_1s_2s_3 + s_1\bar{s}_2s_3 + s_1s_2\bar{s}_3 + s_1s_2s_3$$

Let's look at another problem (minimization)

$$\begin{aligned} f &= \bar{s}_1\bar{s}_2s_3 + \bar{s}_1s_2s_3 + s_1\bar{s}_2s_3 + s_1s_2s_3 + s_1s_2\bar{s}_3 + s_1s_2s_3 \\ &= \bar{s}_1s_3(\bar{s}_2 + s_2) + s_1s_3(\bar{s}_2 + s_2) + s_1s_2(\bar{s}_3 + s_3) \\ &= \bar{s}_1s_3 + s_1s_3 + s_1s_2 \\ &= s_3 + s_1s_2 \end{aligned}$$

Let's look at another problem (minimization)

$$\begin{aligned} f &= \bar{s}_1\bar{s}_2s_3 + \bar{s}_1s_2s_3 + s_1\bar{s}_2s_3 + s_1s_2s_3 + s_1s_2\bar{s}_3 + s_1s_2s_3 \\ &= \bar{s}_1s_3(\bar{s}_2 + s_2) + s_1s_3(\bar{s}_2 + s_2) + s_1s_2(\bar{s}_3 + s_3) \\ &= \bar{s}_1s_3 + s_1s_3 + s_1s_2 \\ &= s_3 + s_1s_2 \end{aligned}$$



Maxterms
(an alternative set of basis functions)

The Four Maxterms

| x | y | M_0 |
|---|---|-------|
| 0 | 0 | 0 |
| 0 | 1 | 1 |
| 1 | 0 | 1 |
| 1 | 1 | 1 |

$M_0(x, y)$

| x | y | M_1 |
|---|---|-------|
| 0 | 0 | 1 |
| 0 | 1 | 0 |
| 1 | 0 | 1 |
| 1 | 1 | 1 |

$M_1(x, y)$

| x | y | M_2 |
|---|---|-------|
| 0 | 0 | 1 |
| 0 | 1 | 1 |
| 1 | 0 | 0 |
| 1 | 1 | 1 |

$M_2(x, y)$

| x | y | M_3 |
|---|---|-------|
| 0 | 0 | 1 |
| 0 | 1 | 1 |
| 1 | 0 | 1 |
| 1 | 1 | 0 |

$M_3(x, y)$

The Four Maxterms

| x | y | M_0 |
|---|---|-------|
| 0 | 0 | 0 |
| 0 | 1 | 1 |
| 1 | 0 | 1 |
| 1 | 1 | 1 |

$M_0(x, y)$

| x | y | M_1 |
|---|---|-------|
| 0 | 0 | 1 |
| 0 | 1 | 0 |
| 1 | 0 | 1 |
| 1 | 1 | 1 |

$M_1(x, y)$

| x | y | M_2 |
|---|---|-------|
| 0 | 0 | 1 |
| 0 | 1 | 1 |
| 1 | 0 | 0 |
| 1 | 1 | 1 |

$M_2(x, y)$

| x | y | M_3 |
|---|---|-------|
| 0 | 0 | 1 |
| 0 | 1 | 1 |
| 1 | 0 | 1 |
| 1 | 1 | 0 |

$M_3(x, y)$

The Four Maxterms

| x | y | $M_0(x, y)$ | $M_1(x, y)$ | $M_2(x, y)$ | $M_3(x, y)$ |
|----------|----------|-------------------------------|-------------------------------|-------------------------------|-------------------------------|
| 0 | 0 | 0 | 1 | 1 | 1 |
| 0 | 1 | 1 | 0 | 1 | 1 |
| 1 | 0 | 1 | 1 | 0 | 1 |
| 1 | 1 | 1 | 1 | 1 | 0 |

The Four Maxterms

| x | y | | $x + y$ | $x + \bar{y}$ | $\bar{x} + y$ | $\bar{x} + \bar{y}$ |
|---|---|--|---------|---------------|---------------|---------------------|
| 0 | 0 | | 0 | 1 | 1 | 1 |
| 0 | 1 | | 1 | 0 | 1 | 1 |
| 1 | 0 | | 1 | 1 | 0 | 1 |
| 1 | 1 | | 1 | 1 | 1 | 0 |

Expressions for the Maxterms

$$M_0 = x + y$$

$$M_1 = x + \bar{y}$$

$$M_2 = \bar{x} + y$$

$$M_3 = \bar{x} + \bar{y}$$

Expressions for the Maxterms

$$M_0 = x + y$$

$$M_1 = x + \bar{y}$$

$$M_2 = \bar{x} + y$$

$$M_3 = \bar{x} + \bar{y}$$

Note that these are now sums, not products.

Expressions for the Maxterms

$$0 \ 0 \quad M_0 = x + y$$

$$0 \ 1 \quad M_1 = x + \bar{y}$$

$$1 \ 0 \quad M_2 = \bar{x} + y$$

$$1 \ 1 \quad M_3 = \bar{x} + \bar{y}$$

The bars coincide
with the 1's
in the binary expansion
of the maxterm sub-index

Expressions for the Maxterms

$$0 \ 0 \quad M_0 = x + y$$

$$0 \ 1 \quad M_1 = x + \bar{y}$$

$$1 \ 0 \quad M_2 = \bar{x} + y$$

$$1 \ 1 \quad M_3 = \bar{x} + \bar{y}$$

The bars coincide
with the 1's
in the binary expansion
of the maxterm sub-index

Minterms and Maxterms

| Row number | x_1 | x_2 | Minterm | Maxterm |
|------------|-------|-------|----------------------------|-------------------------------|
| 0 | 0 | 0 | $m_0 = \bar{x}_1\bar{x}_2$ | $M_0 = x_1 + x_2$ |
| 1 | 0 | 1 | $m_1 = \bar{x}_1x_2$ | $M_1 = x_1 + \bar{x}_2$ |
| 2 | 1 | 0 | $m_2 = x_1\bar{x}_2$ | $M_2 = \bar{x}_1 + x_2$ |
| 3 | 1 | 1 | $m_3 = x_1x_2$ | $M_3 = \bar{x}_1 + \bar{x}_2$ |

Minterms and Maxterms

| Row number | x_1 | x_2 | Minterm | Maxterm |
|------------|-------|-------|----------------------------|-------------------------------|
| 0 | 0 | 0 | $m_0 = \bar{x}_1\bar{x}_2$ | $M_0 = x_1 + x_2$ |
| 1 | 0 | 1 | $m_1 = \bar{x}_1x_2$ | $M_1 = x_1 + \bar{x}_2$ |
| 2 | 1 | 0 | $m_2 = x_1\bar{x}_2$ | $M_2 = \bar{x}_1 + x_2$ |
| 3 | 1 | 1 | $m_3 = x_1x_2$ | $M_3 = \bar{x}_1 + \bar{x}_2$ |

Use these for
Sum-of-Products
Minimization
(1's of the function)

Use these for
Product-of-Sums
Minimization
(0's of the function)

Minterms and Maxterms

| Row number | x_1 | x_2 | Minterm | Maxterm |
|------------|-------|-------|----------------------------|-------------------------------|
| 0 | 0 | 0 | $m_0 = \bar{x}_1\bar{x}_2$ | $M_0 = x_1 + x_2$ |
| 1 | 0 | 1 | $m_1 = \bar{x}_1x_2$ | $M_1 = x_1 + \bar{x}_2$ |
| 2 | 1 | 0 | $m_2 = x_1\bar{x}_2$ | $M_2 = \bar{x}_1 + x_2$ |
| 3 | 1 | 1 | $m_3 = x_1x_2$ | $M_3 = \bar{x}_1 + \bar{x}_2$ |

Use these for
Sum-of-Products
 Minimization
 (1's of the function)

Use these for
Product-of-Sums
 Minimization
 (0's of the function)

Sum-of-Products Form

(uses the **ones** of the function)

Sum-of-Products Form

(for the AND logic function)

| Row number | x_1 | x_2 | Minterm | $f(x_1, x_2)$ |
|------------|-------|-------|----------------------------|---------------|
| 0 | 0 | 0 | $m_0 = \bar{x}_1\bar{x}_2$ | 0 |
| 1 | 0 | 1 | $m_1 = \bar{x}_1x_2$ | 0 |
| 2 | 1 | 0 | $m_2 = x_1\bar{x}_2$ | 0 |
| 3 | 1 | 1 | $m_3 = x_1x_2$ | 1 |

Sum-of-Products Form

(for the AND logic function)

| Row number | x_1 | x_2 | Minterm | $f(x_1, x_2)$ |
|------------|-------|-------|----------------------------|---------------|
| 0 | 0 | 0 | $m_0 = \bar{x}_1\bar{x}_2$ | 0 |
| 1 | 0 | 1 | $m_1 = \bar{x}_1x_2$ | 0 |
| 2 | 1 | 0 | $m_2 = x_1\bar{x}_2$ | 0 |
| 3 | 1 | 1 | $m_3 = x_1x_2$ | 1 |

Sum-of-Products Form

(for the AND logic function)

| Row number | x_1 | x_2 | Minterm | $f(x_1, x_2)$ |
|------------|-------|-------|----------------------------|---------------|
| 0 | 0 | 0 | $m_0 = \bar{x}_1\bar{x}_2$ | 0 |
| 1 | 0 | 1 | $m_1 = \bar{x}_1x_2$ | 0 |
| 2 | 1 | 0 | $m_2 = x_1\bar{x}_2$ | 0 |
| 3 | 1 | 1 | $m_3 = x_1x_2$ | 1 |

$$f(x_1, x_2) = m_3 = x_1 x_2$$

(In this case there is just one product and there is no need for a sum)

Another Example

Sum-of-Products Form

| Row number | x_1 | x_2 | Minterm | $f(x_1, x_2)$ |
|------------|-------|-------|----------------------------|---------------|
| 0 | 0 | 0 | $m_0 = \bar{x}_1\bar{x}_2$ | 1 |
| 1 | 0 | 1 | $m_1 = \bar{x}_1x_2$ | 1 |
| 2 | 1 | 0 | $m_2 = x_1\bar{x}_2$ | 0 |
| 3 | 1 | 1 | $m_3 = x_1x_2$ | 1 |

Sum-of-Products Form

| Row number | x_1 | x_2 | Minterm | $f(x_1, x_2)$ |
|------------|-------|-------|----------------------------|---------------|
| 0 | 0 | 0 | $m_0 = \bar{x}_1\bar{x}_2$ | 1 |
| 1 | 0 | 1 | $m_1 = \bar{x}_1x_2$ | 1 |
| 2 | 1 | 0 | $m_2 = x_1\bar{x}_2$ | 0 |
| 3 | 1 | 1 | $m_3 = x_1x_2$ | 1 |

Sum-of-Products Form

| Row number | x_1 | x_2 | Minterm | $f(x_1, x_2)$ |
|------------|-------|-------|----------------------------|---------------|
| 0 | 0 | 0 | $m_0 = \bar{x}_1\bar{x}_2$ | 1 |
| 1 | 0 | 1 | $m_1 = \bar{x}_1x_2$ | 1 |
| 2 | 1 | 0 | $m_2 = x_1\bar{x}_2$ | 0 |
| 3 | 1 | 1 | $m_3 = x_1x_2$ | 1 |

$$\begin{aligned}f &= m_0 \cdot 1 + m_1 \cdot 1 + m_2 \cdot 0 + m_3 \cdot 1 \\&= m_0 + m_1 + m_3 \\&= \bar{x}_1\bar{x}_2 + \bar{x}_1x_2 + x_1x_2\end{aligned}$$

Product-of-Sums Form

(uses the **zeros** of the function)

Product-of-Sums Form (for the OR logic function)

| Row number | x_1 | x_2 | Maxterm | $f(x_1, x_2)$ |
|------------|-------|-------|-------------------------------|---------------|
| 0 | 0 | 0 | $M_0 = x_1 + x_2$ | 0 |
| 1 | 0 | 1 | $M_1 = x_1 + \bar{x}_2$ | 1 |
| 2 | 1 | 0 | $M_2 = \bar{x}_1 + x_2$ | 1 |
| 3 | 1 | 1 | $M_3 = \bar{x}_1 + \bar{x}_2$ | 1 |

Product-of-Sums Form (for the OR logic function)

| Row number | x_1 | x_2 | Maxterm | $f(x_1, x_2)$ |
|------------|-------|-------|-------------------------------|---------------|
| 0 | 0 | 0 | $M_0 = x_1 + x_2$ | 0 |
| 1 | 0 | 1 | $M_1 = x_1 + \bar{x}_2$ | 1 |
| 2 | 1 | 0 | $M_2 = \bar{x}_1 + x_2$ | 1 |
| 3 | 1 | 1 | $M_3 = \bar{x}_1 + \bar{x}_2$ | 1 |

Product-of-Sums Form (for the OR logic function)

| Row number | x_1 | x_2 | Maxterm | $f(x_1, x_2)$ |
|------------|-------|-------|-------------------------------|---------------|
| 0 | 0 | 0 | $M_0 = x_1 + x_2$ | 0 |
| 1 | 0 | 1 | $M_1 = x_1 + \bar{x}_2$ | 1 |
| 2 | 1 | 0 | $M_2 = \bar{x}_1 + x_2$ | 1 |
| 3 | 1 | 1 | $M_3 = \bar{x}_1 + \bar{x}_2$ | 1 |

$$f(x_1, x_2) = M_0 = x_1 + x_2$$

(In this case there is just one sum and there is no need for a product)

Another Example

Product-of-Sums Form

(for this logic function)

| Row number | x_1 | x_2 | Maxterm | $f(x_1, x_2)$ |
|------------|-------|-------|-------------------------------|---------------|
| 0 | 0 | 0 | $M_0 = x_1 + x_2$ | 0 |
| 1 | 0 | 1 | $M_1 = x_1 + \bar{x}_2$ | 1 |
| 2 | 1 | 0 | $M_2 = \bar{x}_1 + x_2$ | 0 |
| 3 | 1 | 1 | $M_3 = \bar{x}_1 + \bar{x}_2$ | 1 |

Product-of-Sums Form (for this logic function)

| Row number | x_1 | x_2 | Maxterm | $f(x_1, x_2)$ |
|------------|-------|-------|-------------------------------|---------------|
| 0 | 0 | 0 | $M_0 = x_1 + x_2$ | 0 |
| 1 | 0 | 1 | $M_1 = x_1 + \bar{x}_2$ | 1 |
| 2 | 1 | 0 | $M_2 = \bar{x}_1 + x_2$ | 0 |
| 3 | 1 | 1 | $M_3 = \bar{x}_1 + \bar{x}_2$ | 1 |

Product-of-Sums Form (for this logic function)

| Row number | x_1 | x_2 | Maxterm | $f(x_1, x_2)$ |
|------------|-------|-------|-------------------------------|---------------|
| 0 | 0 | 0 | $M_0 = x_1 + x_2$ | 0 |
| 1 | 0 | 1 | $M_1 = x_1 + \bar{x}_2$ | 1 |
| 2 | 1 | 0 | $M_2 = \bar{x}_1 + x_2$ | 0 |
| 3 | 1 | 1 | $M_3 = \bar{x}_1 + \bar{x}_2$ | 1 |

$$f(x_1, x_2) = M_0 \cdot M_2 = (x_1 + x_2) \cdot (\bar{x}_1 + x_2)$$

Yet Another Example

Product-of-Sums Form

| Row number | x_1 | x_2 | Maxterm | $f(x_1, x_2)$ |
|------------|-------|-------|-------------------------------|---------------|
| 0 | 0 | 0 | $M_0 = x_1 + x_2$ | 1 |
| 1 | 0 | 1 | $M_1 = x_1 + \bar{x}_2$ | 1 |
| 2 | 1 | 0 | $M_2 = \bar{x}_1 + x_2$ | 0 |
| 3 | 1 | 1 | $M_3 = \bar{x}_1 + \bar{x}_2$ | 1 |

We need to minimize using the zeros of the function f .
But let's first minimize the inverse of f , i.e., \bar{f} .

Product-of-Sums Form

| Row number | x_1 | x_2 | Maxterm | $f(x_1, x_2)$ | $\overline{f}(x_1, x_2)$ |
|------------|-------|-------|---|---------------|--------------------------|
| 0 | 0 | 0 | $M_0 = x_1 + x_2$ | 1 | 0 |
| 1 | 0 | 1 | $M_1 = x_1 + \overline{x}_2$ | 1 | 0 |
| 2 | 1 | 0 | $M_2 = \overline{x}_1 + x_2$ | 0 | 1 |
| 3 | 1 | 1 | $M_3 = \overline{x}_1 + \overline{x}_2$ | 1 | 0 |

Product-of-Sums Form

| Row number | x_1 | x_2 | Maxterm | $f(x_1, x_2)$ | $\overline{f}(x_1, x_2)$ |
|------------|-------|-------|---|---------------|--------------------------|
| 0 | 0 | 0 | $M_0 = x_1 + x_2$ | 1 | 0 |
| 1 | 0 | 1 | $M_1 = x_1 + \overline{x_2}$ | 1 | 0 |
| 2 | 1 | 0 | $M_2 = \overline{x_1} + x_2$ | 0 | 1 |
| 3 | 1 | 1 | $M_3 = \overline{x_1} + \overline{x_2}$ | 1 | 0 |

Product-of-Sums Form

| Row number | x_1 | x_2 | Maxterm | $f(x_1, x_2)$ | $\overline{f}(x_1, x_2)$ |
|------------|-------|-------|---|---------------|--------------------------|
| 0 | 0 | 0 | $M_0 = x_1 + x_2$ | 1 | 0 |
| 1 | 0 | 1 | $M_1 = x_1 + \overline{x}_2$ | 1 | 0 |
| 2 | 1 | 0 | $M_2 = \overline{x}_1 + x_2$ | 0 | 1 |
| 3 | 1 | 1 | $M_3 = \overline{x}_1 + \overline{x}_2$ | 1 | 0 |

$$\begin{aligned}\overline{f}(x_1, x_2) &= m_2 \\ &= x_1 \overline{x}_2\end{aligned}$$

Product-of-Sums Form

| Row number | x_1 | x_2 | Maxterm | $f(x_1, x_2)$ | $\overline{f}(x_1, x_2)$ |
|------------|-------|-------|---|---------------|--------------------------|
| 0 | 0 | 0 | $M_0 = x_1 + x_2$ | 1 | 0 |
| 1 | 0 | 1 | $M_1 = x_1 + \overline{x_2}$ | 1 | 0 |
| 2 | 1 | 0 | $M_2 = \overline{x_1} + x_2$ | 0 | 1 |
| 3 | 1 | 1 | $M_3 = \overline{x_1} + \overline{x_2}$ | 1 | 0 |

$$\begin{aligned} \overline{\overline{f}} &= f = \overline{\overline{x_1 \overline{x_2}}} \\ &= \overline{\overline{x_1}} + \overline{\overline{x_2}} \\ &= x_1 + x_2 \end{aligned}$$

$$\begin{aligned} \overline{f}(x_1, x_2) &= m_2 \\ &= x_1 \overline{x_2} \end{aligned}$$

Product-of-Sums Form

| Row number | x_1 | x_2 | Maxterm | $f(x_1, x_2)$ | $\bar{f}(x_1, x_2)$ |
|------------|-------|-------|-------------------------------|---------------|---------------------|
| 0 | 0 | 0 | $M_0 = x_1 + x_2$ | 1 | 0 |
| 1 | 0 | 1 | $M_1 = x_1 + \bar{x}_2$ | 1 | 0 |
| 2 | 1 | 0 | $M_2 = \bar{x}_1 + x_2$ | 0 | 1 |
| 3 | 1 | 1 | $M_3 = \bar{x}_1 + \bar{x}_2$ | 1 | 0 |

$$\begin{aligned} \bar{f} = f = \overline{x_1 \bar{x}_2} & & \bar{f}(x_1, x_2) = m_2 \\ & = \bar{x}_1 + x_2 & & = x_1 \bar{x}_2 \end{aligned}$$

$$f = \bar{m}_2 = M_2$$

minterms
(for three variables)

Expressions for the minterms

$$m_0 = \bar{x} \bar{y} \bar{z}$$

$$m_1 = \bar{x} \bar{y} z$$

$$m_2 = \bar{x} y \bar{z}$$

$$m_3 = \bar{x} y z$$

$$m_4 = x \bar{y} \bar{z}$$

$$m_5 = x \bar{y} z$$

$$m_6 = x y \bar{z}$$

$$m_7 = x y z$$

Expressions for the minterms

$$0 \ 0 \ 0 \quad m_0 = \bar{x} \bar{y} \bar{z}$$

$$0 \ 0 \ 1 \quad m_1 = \bar{x} \bar{y} z$$

$$0 \ 1 \ 0 \quad m_2 = \bar{x} y \bar{z}$$

$$0 \ 1 \ 1 \quad m_3 = \bar{x} y z$$

$$1 \ 0 \ 0 \quad m_4 = x \bar{y} \bar{z}$$

$$1 \ 0 \ 1 \quad m_5 = x \bar{y} z$$

$$1 \ 1 \ 0 \quad m_6 = x y \bar{z}$$

$$1 \ 1 \ 1 \quad m_7 = x y z$$

The bars coincide
with the 0's
in the binary expansion
of the minterm sub-index

Maxterms (for three variables)

Expressions for the Maxterms

$$M_0 = x + y + z$$

$$M_1 = x + y + \bar{z}$$

$$M_2 = x + \bar{y} + z$$

$$M_3 = x + \bar{y} + \bar{z}$$

$$M_4 = \bar{x} + y + z$$

$$M_5 = \bar{x} + y + \bar{z}$$

$$M_6 = \bar{x} + \bar{y} + z$$

$$M_7 = \bar{x} + \bar{y} + \bar{z}$$

Expressions for the Maxterms

$$0 \ 0 \ 0 \quad M_0 = x + y + z$$

$$0 \ 0 \ 1 \quad M_1 = x + y + \bar{z}$$

$$0 \ 1 \ 0 \quad M_2 = x + \bar{y} + z$$

$$0 \ 1 \ 1 \quad M_3 = x + \bar{y} + \bar{z}$$

$$1 \ 0 \ 0 \quad M_4 = \bar{x} + y + z$$

$$1 \ 0 \ 1 \quad M_5 = \bar{x} + y + \bar{z}$$

$$1 \ 1 \ 0 \quad M_6 = \bar{x} + \bar{y} + z$$

$$1 \ 1 \ 1 \quad M_7 = \bar{x} + \bar{y} + \bar{z}$$

The bars coincide
with the 1's
in the binary expansion
of the maxterm sub-index

minterms and Maxterms (for three variables)

minterms and Maxterms

$$m_0 = \bar{x} \bar{y} \bar{z}$$

$$m_1 = \bar{x} \bar{y} z$$

$$m_2 = \bar{x} y \bar{z}$$

$$m_3 = \bar{x} y z$$

$$m_4 = x \bar{y} \bar{z}$$

$$m_5 = x \bar{y} z$$

$$m_6 = x y \bar{z}$$

$$m_7 = x y z$$

$$M_0 = x + y + z$$

$$M_1 = x + y + \bar{z}$$

$$M_2 = x + \bar{y} + z$$

$$M_3 = x + \bar{y} + \bar{z}$$

$$M_4 = \bar{x} + y + z$$

$$M_5 = \bar{x} + y + \bar{z}$$

$$M_6 = \bar{x} + \bar{y} + z$$

$$M_7 = \bar{x} + \bar{y} + \bar{z}$$

minterms and Maxterms (with three variables)

| Row number | x_1 | x_2 | x_3 | Minterm | Maxterm |
|---------------|-------|-------|-------|-------------------------------------|---|
| 0 | 0 | 0 | 0 | $m_0 = \bar{x}_1\bar{x}_2\bar{x}_3$ | $M_0 = x_1 + x_2 + x_3$ |
| 1 | 0 | 0 | 1 | $m_1 = \bar{x}_1\bar{x}_2x_3$ | $M_1 = x_1 + x_2 + \bar{x}_3$ |
| 2 | 0 | 1 | 0 | $m_2 = \bar{x}_1x_2\bar{x}_3$ | $M_2 = x_1 + \bar{x}_2 + x_3$ |
| 3 | 0 | 1 | 1 | $m_3 = \bar{x}_1x_2x_3$ | $M_3 = x_1 + \bar{x}_2 + \bar{x}_3$ |
| 4 | 1 | 0 | 0 | $m_4 = x_1\bar{x}_2\bar{x}_3$ | $M_4 = \bar{x}_1 + x_2 + x_3$ |
| 5 | 1 | 0 | 1 | $m_5 = x_1\bar{x}_2x_3$ | $M_5 = \bar{x}_1 + x_2 + \bar{x}_3$ |
| 6 | 1 | 1 | 0 | $m_6 = x_1x_2\bar{x}_3$ | $M_6 = \bar{x}_1 + \bar{x}_2 + x_3$ |
| 7 | 1 | 1 | 1 | $m_7 = x_1x_2x_3$ | $M_7 = \bar{x}_1 + \bar{x}_2 + \bar{x}_3$ |

[Figure 2.22 from the textbook]

Examples with three-variable functions

A three-variable function

| Row number | x_1 | x_2 | x_3 | $f(x_1, x_2, x_3)$ |
|------------|-------|-------|-------|--------------------|
| 0 | 0 | 0 | 0 | 0 |
| 1 | 0 | 0 | 1 | 1 |
| 2 | 0 | 1 | 0 | 0 |
| 3 | 0 | 1 | 1 | 0 |
| 4 | 1 | 0 | 0 | 1 |
| 5 | 1 | 0 | 1 | 1 |
| 6 | 1 | 1 | 0 | 1 |
| 7 | 1 | 1 | 1 | 0 |

[Figure 2.23 from the textbook]

Sum-of-Products (SOP)

| Row number | x_1 | x_2 | x_3 | $f(x_1, x_2, x_3)$ |
|------------|-------|-------|-------|--------------------|
| 0 | 0 | 0 | 0 | 0 |
| 1 | 0 | 0 | 1 | 1 |
| 2 | 0 | 1 | 0 | 0 |
| 3 | 0 | 1 | 1 | 0 |
| 4 | 1 | 0 | 0 | 1 |
| 5 | 1 | 0 | 1 | 1 |
| 6 | 1 | 1 | 0 | 1 |
| 7 | 1 | 1 | 1 | 0 |

Sum-of-Products (SOP)

| Row number | x_1 | x_2 | x_3 | $f(x_1, x_2, x_3)$ |
|------------|-------|-------|-------|--------------------|
| 0 | 0 | 0 | 0 | 0 |
| 1 | 0 | 0 | 1 | 1 |
| 2 | 0 | 1 | 0 | 0 |
| 3 | 0 | 1 | 1 | 0 |
| 4 | 1 | 0 | 0 | 1 |
| 5 | 1 | 0 | 1 | 1 |
| 6 | 1 | 1 | 0 | 1 |
| 7 | 1 | 1 | 1 | 0 |

$$f(x_1, x_2, x_3) = \bar{x}_1\bar{x}_2x_3 + x_1\bar{x}_2\bar{x}_3 + x_1\bar{x}_2x_3 + x_1x_2\bar{x}_3$$

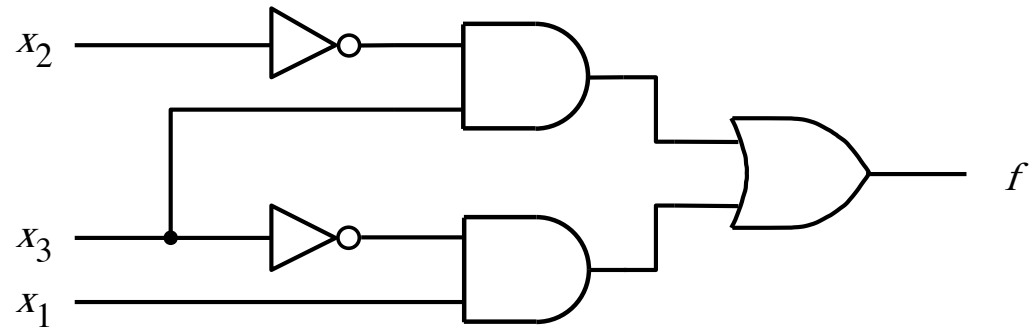
Sum-of-Products (SOP)

| Row number | x_1 | x_2 | x_3 | $f(x_1, x_2, x_3)$ |
|------------|-------|-------|-------|--------------------|
| 0 | 0 | 0 | 0 | 0 |
| 1 | 0 | 0 | 1 | 1 |
| 2 | 0 | 1 | 0 | 0 |
| 3 | 0 | 1 | 1 | 0 |
| 4 | 1 | 0 | 0 | 1 |
| 5 | 1 | 0 | 1 | 1 |
| 6 | 1 | 1 | 0 | 1 |
| 7 | 1 | 1 | 1 | 0 |

$$f(x_1, x_2, x_3) = \bar{x}_1\bar{x}_2x_3 + x_1\bar{x}_2\bar{x}_3 + x_1\bar{x}_2x_3 + x_1x_2\bar{x}_3$$

$$\begin{aligned} f &= (\bar{x}_1 + x_1)\bar{x}_2x_3 + x_1(\bar{x}_2 + x_2)\bar{x}_3 \\ &= 1 \cdot \bar{x}_2x_3 + x_1 \cdot 1 \cdot \bar{x}_3 \\ &= \bar{x}_2x_3 + x_1\bar{x}_3 \end{aligned}$$

Sum-of-products realization of this function



$$f = \overline{x_2} x_3 + x_1 \overline{x_3}$$

[Figure 2.24a from the textbook]

A three-variable function

| Row number | x_1 | x_2 | x_3 | $f(x_1, x_2, x_3)$ |
|------------|-------|-------|-------|--------------------|
| 0 | 0 | 0 | 0 | 0 |
| 1 | 0 | 0 | 1 | 1 |
| 2 | 0 | 1 | 0 | 0 |
| 3 | 0 | 1 | 1 | 0 |
| 4 | 1 | 0 | 0 | 1 |
| 5 | 1 | 0 | 1 | 1 |
| 6 | 1 | 1 | 0 | 1 |
| 7 | 1 | 1 | 1 | 0 |

[Figure 2.23 from the textbook]

Product-of-Sums (POS)

| Row number | x_1 | x_2 | x_3 | $f(x_1, x_2, x_3)$ |
|------------|-------|-------|-------|--------------------|
| 0 | 0 | 0 | 0 | 0 |
| 1 | 0 | 0 | 1 | 1 |
| 2 | 0 | 1 | 0 | 0 |
| 3 | 0 | 1 | 1 | 0 |
| 4 | 1 | 0 | 0 | 1 |
| 5 | 1 | 0 | 1 | 1 |
| 6 | 1 | 1 | 0 | 1 |
| 7 | 1 | 1 | 1 | 0 |

Product-of-Sums (POS)

| Row number | x_1 | x_2 | x_3 | $f(x_1, x_2, x_3)$ |
|------------|-------|-------|-------|--------------------|
| 0 | 0 | 0 | 0 | 0 |
| 1 | 0 | 0 | 1 | 1 |
| 2 | 0 | 1 | 0 | 0 |
| 3 | 0 | 1 | 1 | 0 |
| 4 | 1 | 0 | 0 | 1 |
| 5 | 1 | 0 | 1 | 1 |
| 6 | 1 | 1 | 0 | 1 |
| 7 | 1 | 1 | 1 | 0 |

$$\begin{aligned}f &= \overline{m_0 + m_2 + m_3 + m_7} \\&= \overline{m_0} \cdot \overline{m_2} \cdot \overline{m_3} \cdot \overline{m_7} \\&= M_0 \cdot M_2 \cdot M_3 \cdot M_7 \\&= (x_1 + x_2 + x_3)(x_1 + \bar{x}_2 + x_3)(x_1 + \bar{x}_2 + \bar{x}_3)(\bar{x}_1 + \bar{x}_2 + \bar{x}_3)\end{aligned}$$

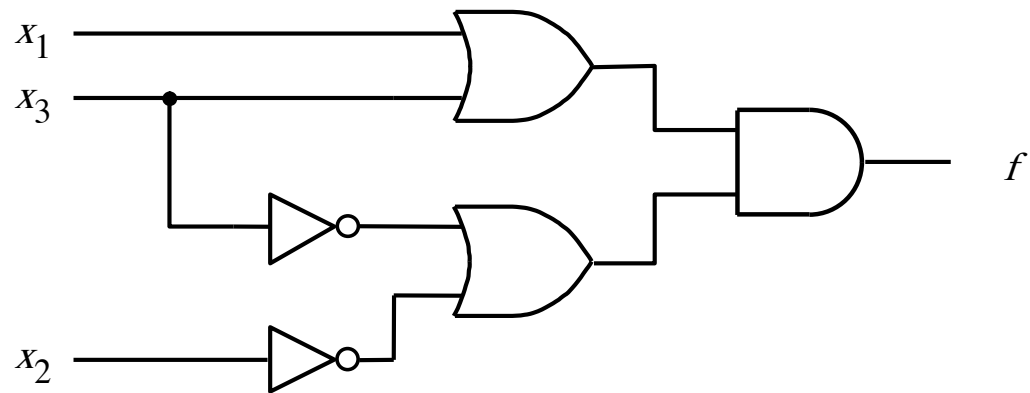
Product-of-Sums (POS)

| Row number | x_1 | x_2 | x_3 | $f(x_1, x_2, x_3)$ |
|------------|-------|-------|-------|--------------------|
| 0 | 0 | 0 | 0 | 0 |
| 1 | 0 | 0 | 1 | 1 |
| 2 | 0 | 1 | 0 | 0 |
| 3 | 0 | 1 | 1 | 0 |
| 4 | 1 | 0 | 0 | 1 |
| 5 | 1 | 0 | 1 | 1 |
| 6 | 1 | 1 | 0 | 1 |
| 7 | 1 | 1 | 1 | 0 |

$$f = ((x_1 + x_3) + x_2)((x_1 + x_3) + \bar{x}_2)(x_1 + (\bar{x}_2 + \bar{x}_3))(\bar{x}_1 + (\bar{x}_2 + \bar{x}_3))$$

$$f = (x_1 + x_3)(\bar{x}_2 + \bar{x}_3)$$

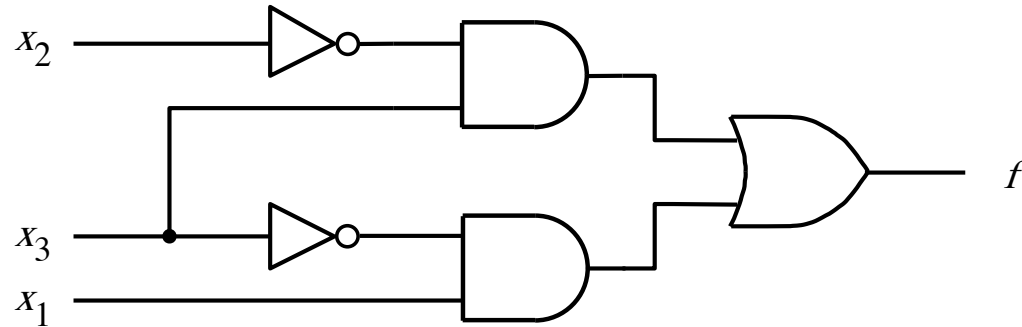
Product-of-sums realization of this function



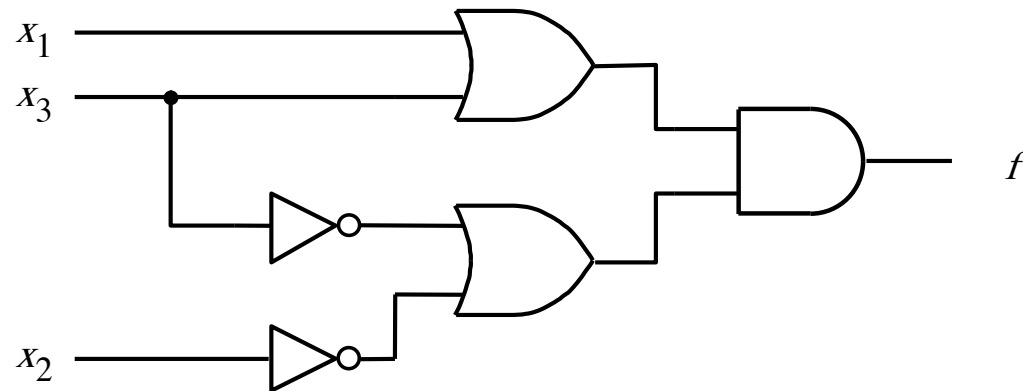
$$f = (x_1 + x_3) \cdot (\overline{x_2} + \overline{x_3})$$

[Figure 2.24b from the textbook]

Two realizations of this function



(a) A minimal sum-of-products realization



(b) A minimal product-of-sums realization

[Figure 2.24 from the textbook]

Shorthand Notation for SOP

| Row number | x_1 | x_2 | x_3 | $f(x_1, x_2, x_3)$ |
|------------|-------|-------|-------|--------------------|
| 0 | 0 | 0 | 0 | 0 |
| 1 | 0 | 0 | 1 | 1 |
| 2 | 0 | 1 | 0 | 0 |
| 3 | 0 | 1 | 1 | 0 |
| 4 | 1 | 0 | 0 | 1 |
| 5 | 1 | 0 | 1 | 1 |
| 6 | 1 | 1 | 0 | 1 |
| 7 | 1 | 1 | 1 | 0 |

$$f(x_1, x_2, x_3) = \sum (m_1, m_4, m_5, m_6)$$

or

$$f(x_1, x_2, x_3) = \sum m(1, 4, 5, 6)$$

Shorthand Notation for POS

| Row number | x_1 | x_2 | x_3 | $f(x_1, x_2, x_3)$ |
|------------|-------|-------|-------|--------------------|
| 0 | 0 | 0 | 0 | 0 |
| 1 | 0 | 0 | 1 | 1 |
| 2 | 0 | 1 | 0 | 0 |
| 3 | 0 | 1 | 1 | 0 |
| 4 | 1 | 0 | 0 | 1 |
| 5 | 1 | 0 | 1 | 1 |
| 6 | 1 | 1 | 0 | 1 |
| 7 | 1 | 1 | 1 | 0 |

$$f(x_1, x_2, x_3) = \Pi(M_0, M_2, M_3, M_7)$$

or

$$f(x_1, x_2, x_3) = \Pi M(0, 2, 3, 7)$$

Shorthand Notation

- **Sum-of-Products (SOP)**

$$f(x_1, x_2, x_3) = \sum (m_1, m_4, m_5, m_6)$$

or

$$f(x_1, x_2, x_3) = \sum m(1, 4, 5, 6)$$

- **Product-of-Sums (POS)**

$$f(x_1, x_2, x_3) = \Pi(M_0, M_2, M_3, M_7)$$

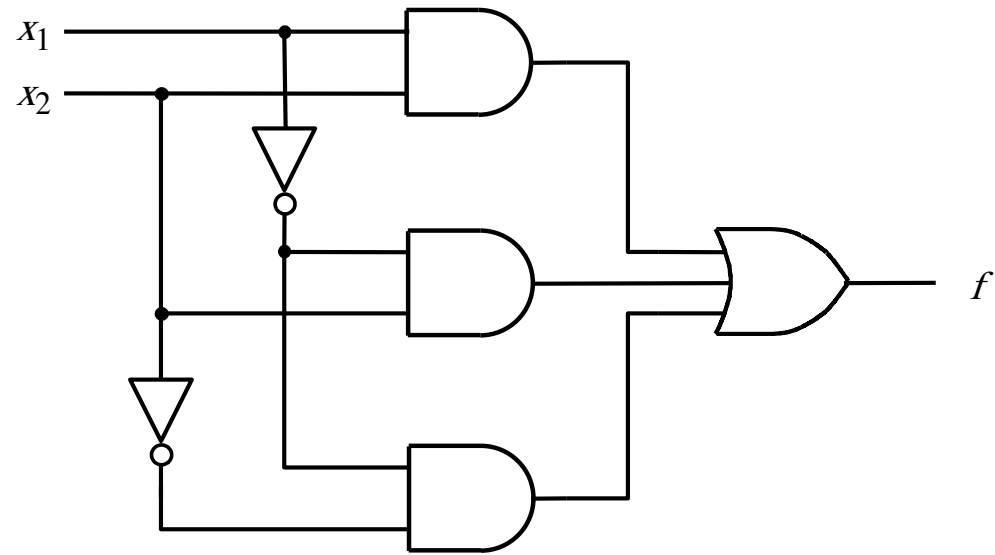
or

$$f(x_1, x_2, x_3) = \Pi M(0, 2, 3, 7)$$

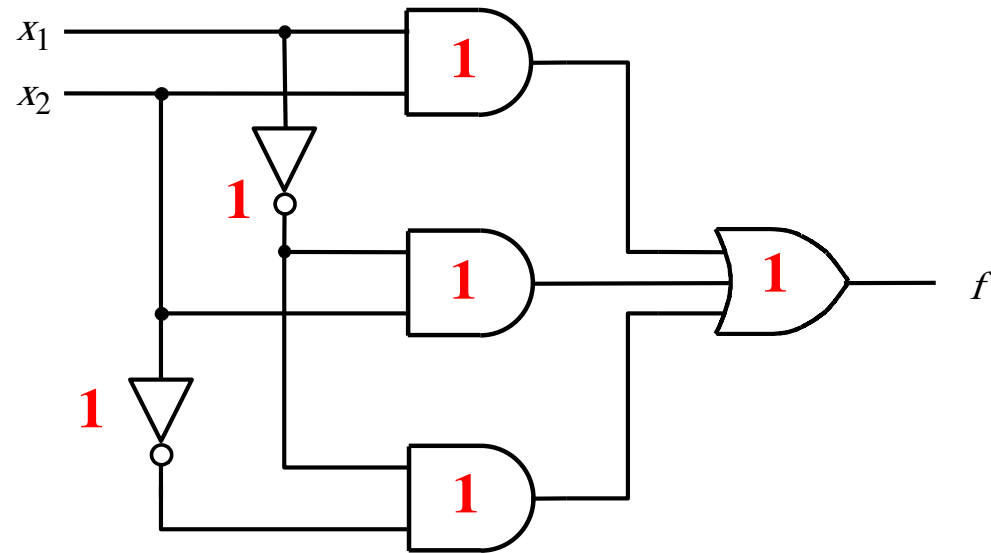
The Cost of a Circuit

- **Count all gates**
- **Count all inputs/wires to the gates**
- **Add the two partial counts. That is the cost.**

What is the cost of this circuit?

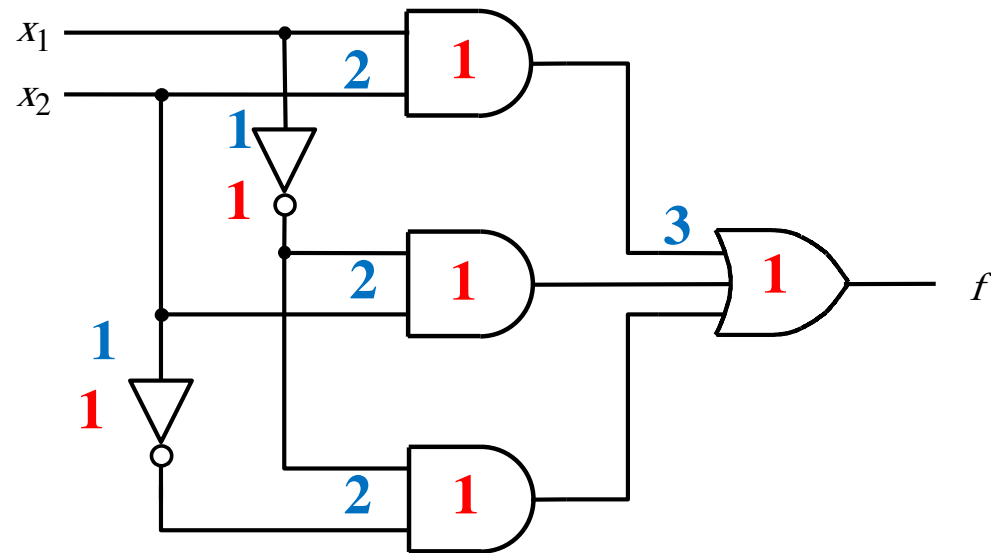


What is the cost of this circuit?



There are 6 gates.

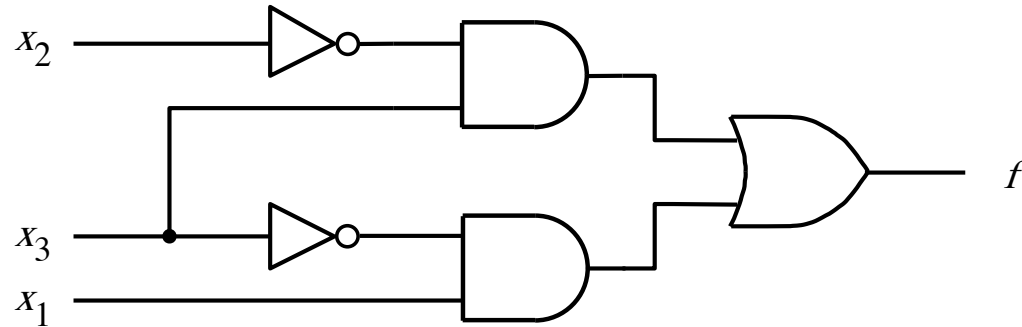
What is the cost of this circuit?



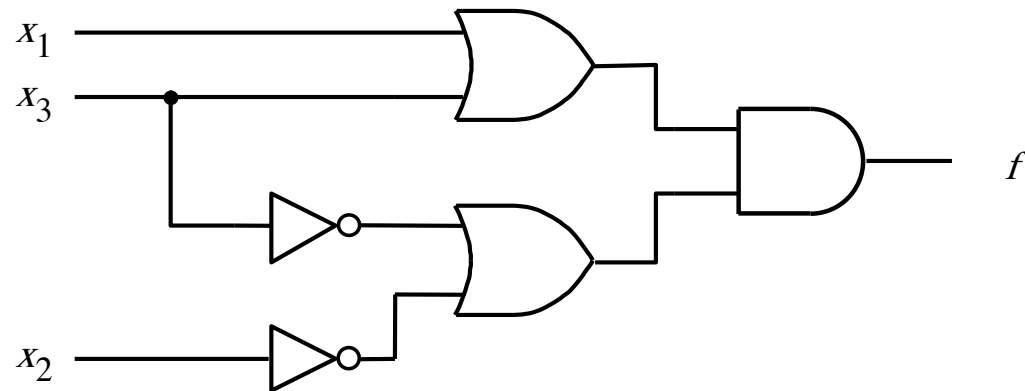
There are **6 gates** and **11 inputs**.

The total cost is **17**.

What is the cost of each circuit?



(a) A minimal sum-of-products realization



(b) A minimal product-of-sums realization

Questions?

THE END