

CprE 281: Digital Logic

Instructor: Alexander Stoytchev

<http://www.ece.iastate.edu/~alexs/classes/>

Logic Gates

CprE 281: Digital Logic
Iowa State University, Ames, IA
Copyright © Alexander Stoytchev

Administrative Stuff

- **HW1 is out. It is due on Monday Aug 28 @ 10pm.**
- **Submit it as a PDF upload on Canvas before the deadline.**
- **You can write the solutions on paper and then scan the pages to make ****one**** PDF file.**
- **No late homeworks will be accepted.**
- **Please write clearly on the first page:**
 - **your name**
 - **student ID**
 - **lab section number**

Labs Next Week

- Please download and read the lab assignment for next week before you go to your lab section.
- https://www.ece.iastate.edu/~alexs/classes/2023_Fall_281/labs/Lab_01/
- You must **print and complete** the prelab **before** you go to the lab.
- The TAs will check your prelab answers at the **beginning of the recitation**. If you don't have it done you'll lose 20% of the lab grade for that lab.

CprE 281: Digital Logic (Fall 2023)

4:25 - 5:15 pm (Mondays, Wednesdays, and Fridays)

Hoover Hall, Room 2055

Instructor: [Alexander Stoytchev](#)

- [Syllabus](#)
- [Class Schedule \(Tentative\)](#)
- [Lecture Notes](#) (also in [PDF](#))
- [Labs](#)
- [Recitations](#)

- [Extra Readings](#)

- [Verilog Stuff](#)
- [Verilog Reference](#)

- [i281 CPU](#)
- [i281 CPU Simulator](#)

CprE 281: Digital Logic (Fall 2023)

4:25 - 5:15 pm (Mondays, Wednesdays, and Fridays)

Hoover Hall, Room 2055

Instructor: [Alexander Stoytchev](#)

- [Syllabus](#)
- [Class Schedule \(Tentative\)](#)
- [Lecture Notes \(also in PDF\)](#)
- [Labs](#)
- [Recitations](#)

- [Extra Readings](#)

- [Verilog Stuff](#)
- [Verilog Reference](#)

- [i281 CPU](#)
- [i281 CPU Simulator](#)

Index

<u>[ICO]</u>	<u>Name</u>	<u>Last modified</u>	<u>Size</u>
[PARENTDIR]	Parent Directory		-
[DIR]	Lab_01/	2022-06-02 12:35	-
[DIR]	Lab_02/	2022-06-02 12:35	-
[DIR]	Lab_03/	2022-06-02 12:35	-
[DIR]	Lab_04/	2022-06-02 12:35	-
[DIR]	Lab_05/	2022-06-02 12:35	-
[DIR]	Lab_06/	2022-06-02 12:35	-
[DIR]	Lab_07/	2022-06-02 12:35	-
[DIR]	Lab_08/	2022-06-02 12:35	-
[DIR]	Lab_09/	2022-06-02 12:35	-
[DIR]	Lab_10/	2022-06-02 12:35	-
[DIR]	Lab_11/	2022-06-02 12:35	-
[DIR]	Lab_12/	2023-08-24 16:50	-
[DIR]	Lab_13/	2022-11-11 14:46	-
[DIR]	Project-Mini/	2022-06-02 12:35	-
[DIR]	Remote_Access/	2022-06-02 12:35	-

Index

[ICO]	<u>Name</u>	<u>Last modified</u>	<u>Size</u>
[PARENTDIR]	Parent Directory		-
[]	CPRE281_LAB01(Answer_Sheet).docx	2021-08-27 14:02	26K
[]	CPRE281_LAB01(Answer_Sheet).pdf	2021-08-27 14:03	338K
[]	CPRE281_LAB01.docx	2021-08-27 14:04	1.9M
[]	CPRE281_LAB01.pdf	2021-08-27 14:04	1.4M
[]	lab1.zip	2021-08-27 13:56	5.4M

Index

[ICO]	<u>Name</u>	<u>Last modified</u>	<u>Size</u>
[PARENTDIR]	Parent Directory		-
[]	CPRE281_LAB01(Answer_Sheet).docx	2021-08-27 14:02	26K
[]	CPRE281_LAB01(Answer_Sheet).pdf	2021-08-27 14:03	338K
[]	CPRE281_LAB01.docx	2021-08-27 14:04	1.9M
[]	CPRE281_LAB01.pdf	2021-08-27 14:04	1.4M
[]	lab1.zip	2021-08-27 13:56	5.4M

**READ one of these at home.
This is the lab assignment.**

Index

[ICO]	<u>Name</u>	<u>Last modified</u>	<u>Size</u>
[PARENTDIR]	Parent Directory		-
[]	CPRE281_LAB01(Answer_Sheet).docx	2021-08-27 14:02	26K
[]	CPRE281_LAB01(Answer_Sheet).pdf	2021-08-27 14:03	338K
[]	CPRE281_LAB01.docx	2021-08-27 14:04	1.9M
[]	CPRE281_LAB01.pdf	2021-08-27 14:04	1.4M
[]	lab1.zip	2021-08-27 13:56	5.4M

During the lab next week,
download this ZIP file and
follow the instructions.

Index

[ICO]	<u>Name</u>	<u>Last modified</u>	<u>Size</u>
[PARENTDIR]	Parent Directory		-
[]	CPRE281 LAB01(Answer Sheet).docx	2021-08-27 14:02	26K
[]	CPRE281_LAB01(Answer_Sheet).pdf	2021-08-27 14:03	338K
[]	CPRE281_LAB01.docx	2021-08-27 14:04	1.9M
[]	CPRE281_LAB01.pdf	2021-08-27 14:04	1.4M
[]	lab1.zip	2021-08-27 13:56	5.4M

Print this file,
complete the prelab,
and bring it with you
to the lab.

Index

[ICO]	<u>Name</u>	<u>Last modified</u>	<u>Size</u>
[PARENTDIR]	Parent Directory		-
[]	CPRE281_LAB01(Answer_Sheet).docx	2021-08-27 14:02	26K
[]	CPRE281_LAB01(Answer_Sheet).pdf	2021-08-27 14:03	338K
[]	CPRE281_LAB01.docx	2021-08-27 14:04	1.9M
[]	CPRE281_LAB01.pdf	2021-08-27 14:04	1.4M
[]	lab1.zip	2021-08-27 13:56	5.4M

This is the same,
but in Word format.

Name and Student ID: _____ Lab Section: _____

Date: _____

PRELAB:

Q1. Fill in the Truth Table below for an AND gate:

A	B	C
0	0	
0	1	
1	0	
1	1	

Q2. What does the .bdf file extension stand for?

Q3. What is the name of the FPGA on the DE2-115 board?

TA Initials: _____

LAB:

2.0 Fill in the Truth Table for *lab1step1*:

A	B	C
0	0	
0	1	
1	0	
1	1	

Logic Expression: _____

This is the prelab
for lab #1.

Quartus Simulation TA Initials: _____ Questa ModelSim TA Initials: _____

4.0 Fill in the Truth Table for *lab1step2*:

W	X	Y	Z
0	0	0	
0	0	1	
0	1	0	
0	1	1	
1	0	0	
1	0	1	
1	1	0	
1	1	1	

Logic Expression: _____

TA Initials: _____

4.0 Fill in the Truth Table for *lab1step3*:

A	B	C	F

Logic Expression: _____

TA Initials: _____

Index

<u>[ICO]</u>	<u>Name</u>	<u>Last modified</u>	<u>Size</u>
[PARENTDIR]	Parent Directory		-
[DIR]	Lab_01/	2022-06-02 12:35	-
[DIR]	Lab_02/	2022-06-02 12:35	-
[DIR]	Lab_03/	2022-06-02 12:35	-
[DIR]	Lab_04/	2022-06-02 12:35	-
[DIR]	Lab_05/	2022-06-02 12:35	-
[DIR]	Lab_06/	2022-06-02 12:35	-
[DIR]	Lab_07/	2022-06-02 12:35	-
[DIR]	Lab_08/	2022-06-02 12:35	-
[DIR]	Lab_09/	2022-06-02 12:35	-
[DIR]	Lab_10/	2022-06-02 12:35	-
[DIR]	Lab_11/	2022-06-02 12:35	-
[DIR]	Lab_12/	2023-08-24 16:50	-
[DIR]	Lab_13/	2022-11-11 14:46	-
[DIR]	Project-Mini/	2022-06-02 12:35	-
[DIR]	Remote_Access/	2022-06-02 12:35	-



https://www.ece.iastate.edu/~alexs/classes/2023_Fall_281/labs/Remote_Access/

Index

[ICO]	<u>Name</u>	<u>Last modified</u>	<u>Size</u>
[PARENTDIR]	Parent Directory		-
[]	CprE_281_Lab_Online_Access.docx	2021-11-18 16:30	58K
[]	CprE_281_Lab_Online_Access.pdf	2021-11-18 16:28	60K

Lab Safety

This class has a substantial hands-on laboratory section. Students will be using expensive, sensitive, and potentially hazardous equipment. Safety in the lab is a number one priority for students and instructors and to ensure a safe laboratory experience, a brief safety presentation will be given during the first lab session. It is mandatory that all students attend this presentation. Moreover, it is expected that students follow any and all posted safety guidelines. All students must sign the [lab safety form](#) (posted in the syllabus).

For reference, a copy of the University Laboratory Safety Manual can be found at:

www.ehs.iastate.edu/sites/default/files/uploads/publications/manuals/labsm.pdf

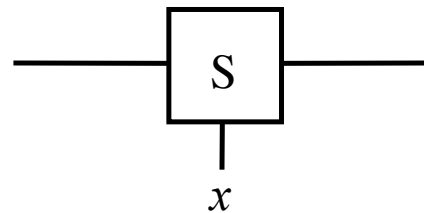
See also the [safety page of the ECpE Department](#):

<http://www.ece.iastate.edu/the-department/safety/>

A Binary Switch

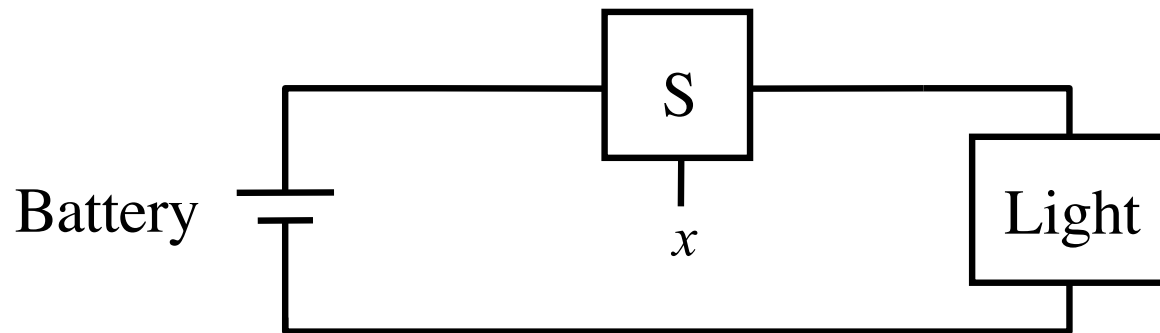


(a) Two states of a switch



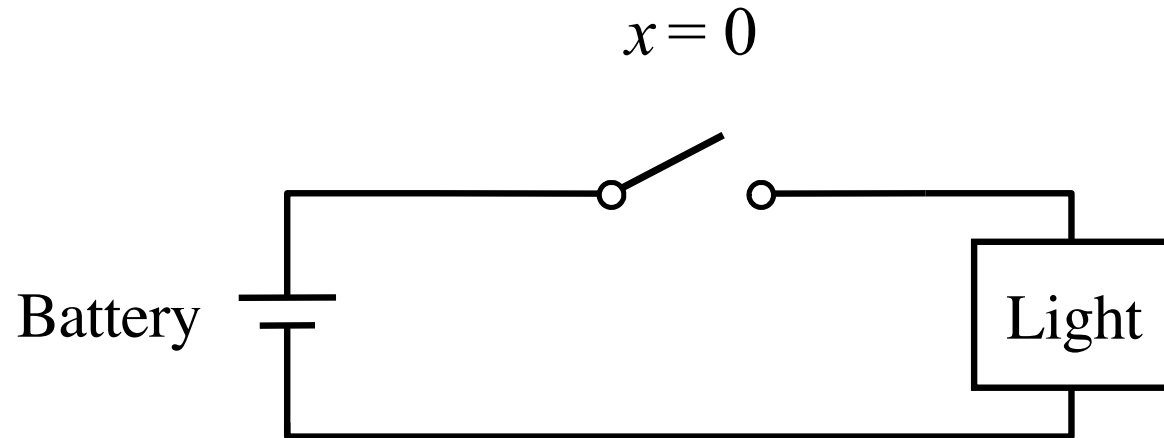
(b) Symbol for a switch

A Light Controlled by a Switch



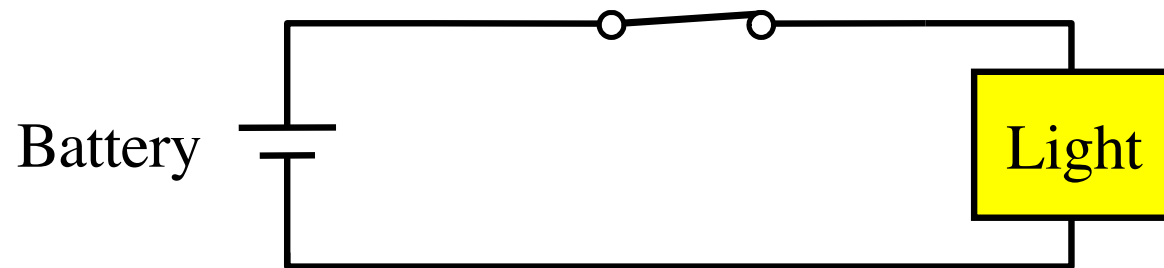
(a) Simple connection to a battery

A Light Controlled by a Switch

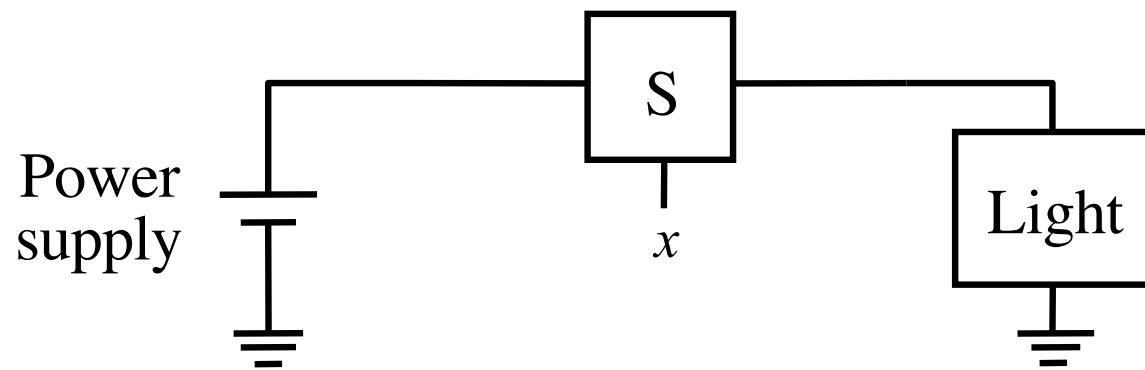


A Light Controlled by a Switch

$$x = 1$$

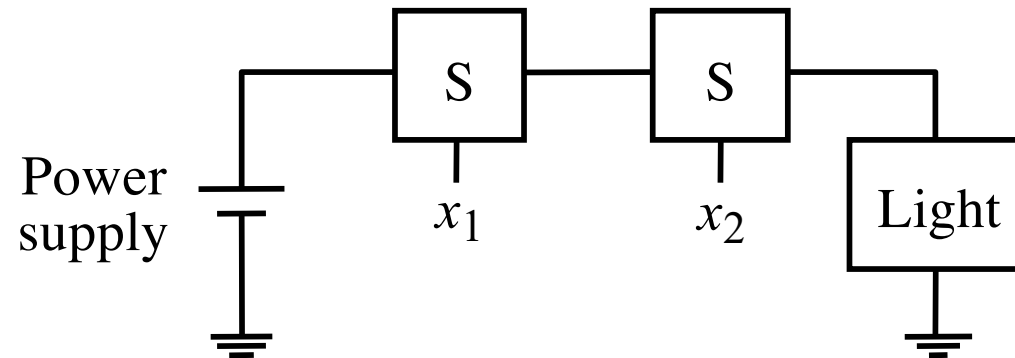


A Light Controlled by a Switch

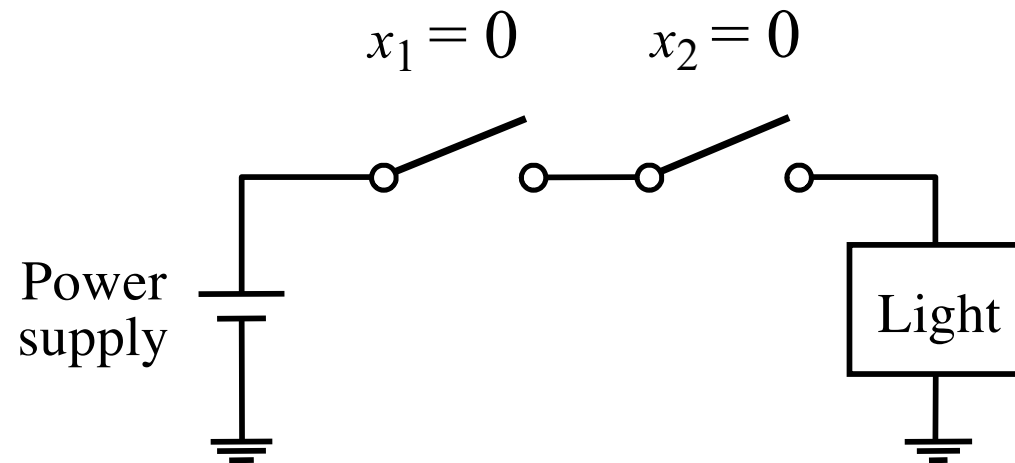


(b) Using a ground connection as the return path

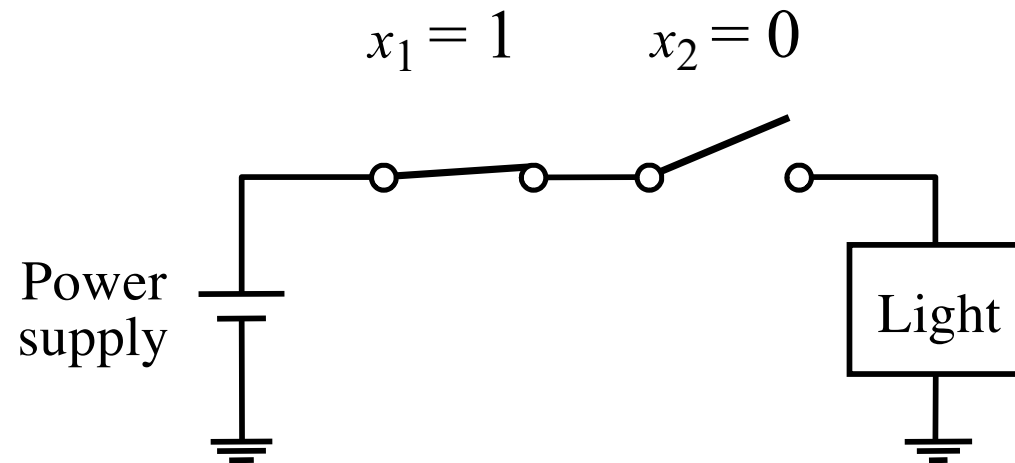
The Logical AND function (series connection of the switches)



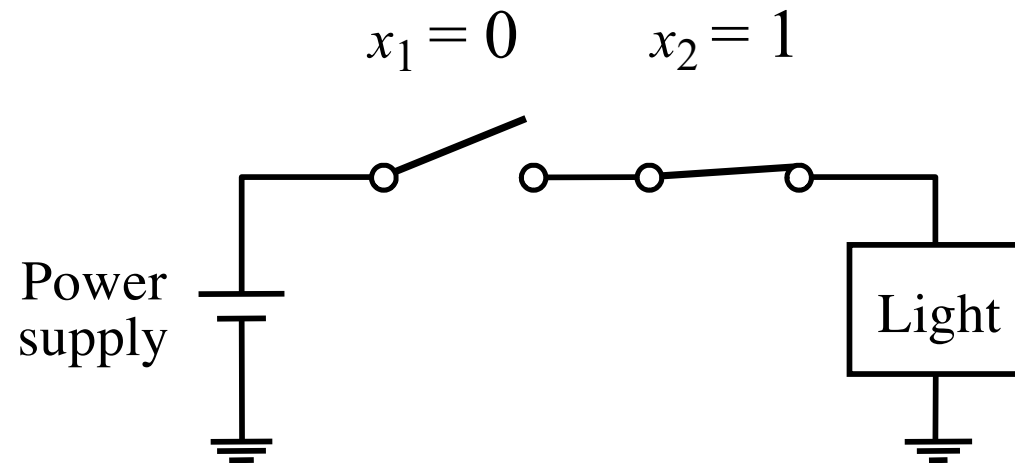
The Logical AND function (series connection of the switches)



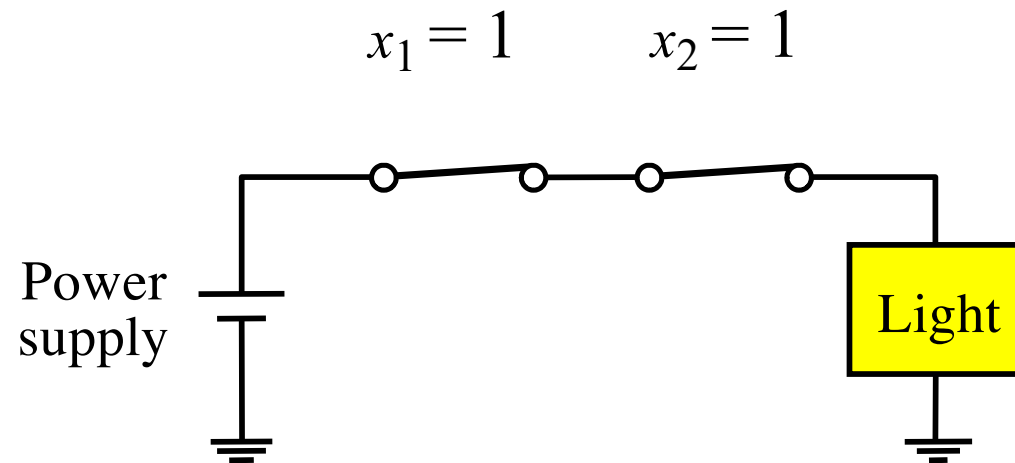
The Logical AND function (series connection of the switches)



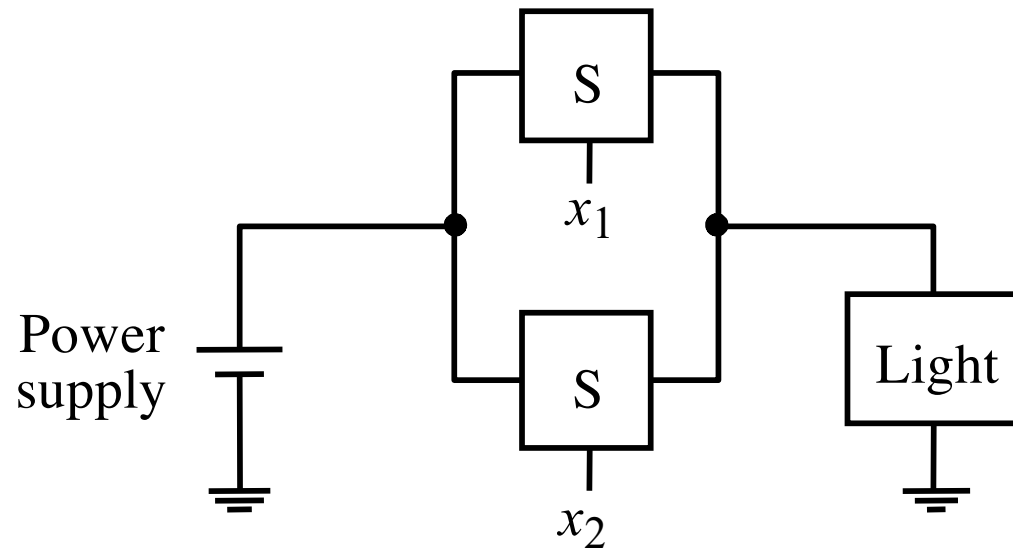
The Logical AND function (series connection of the switches)



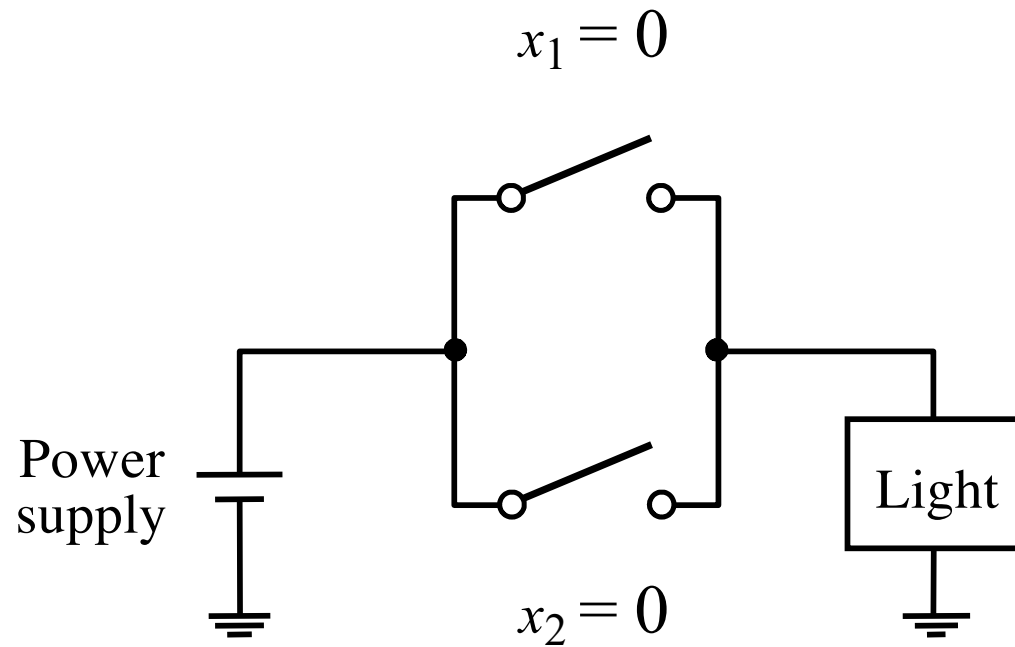
The Logical AND function (series connection of the switches)



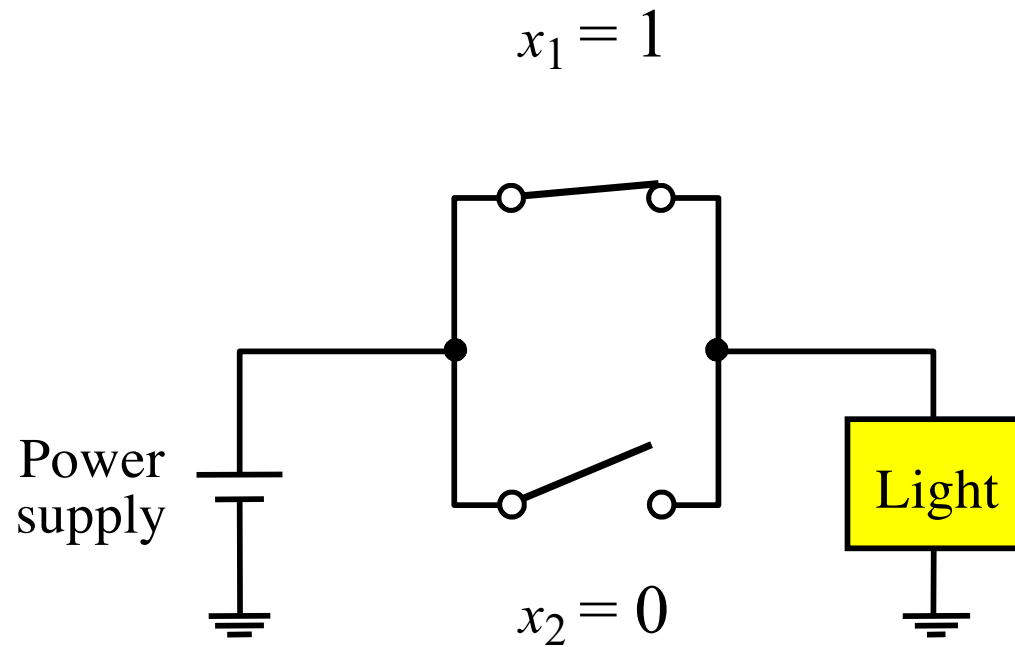
The Logical OR function (parallel connection of the switches)



The Logical OR function (parallel connection of the switches)

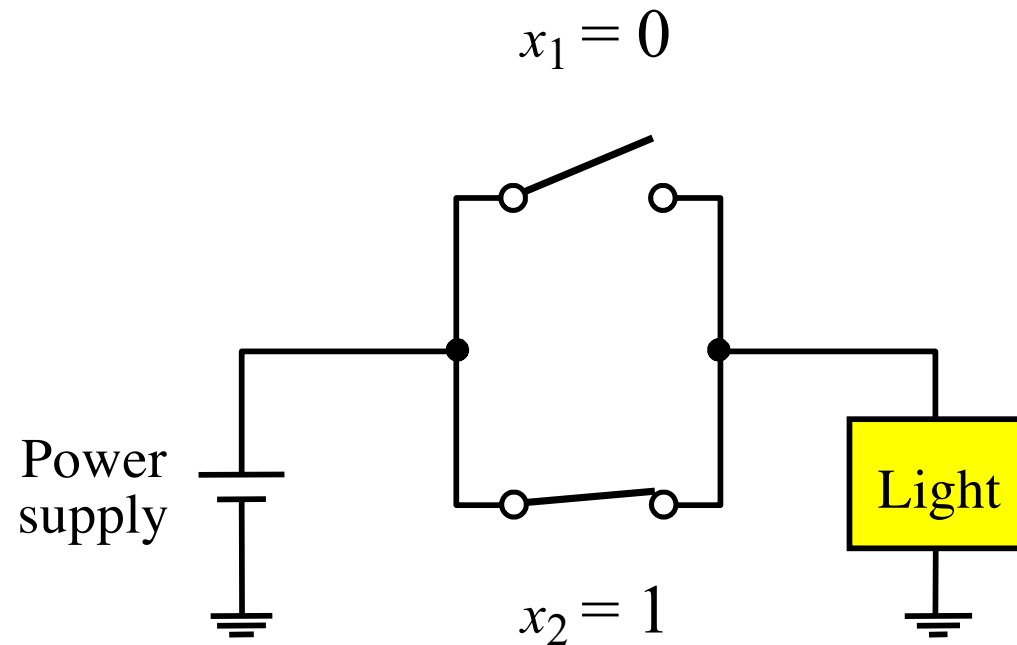


The Logical OR function (parallel connection of the switches)

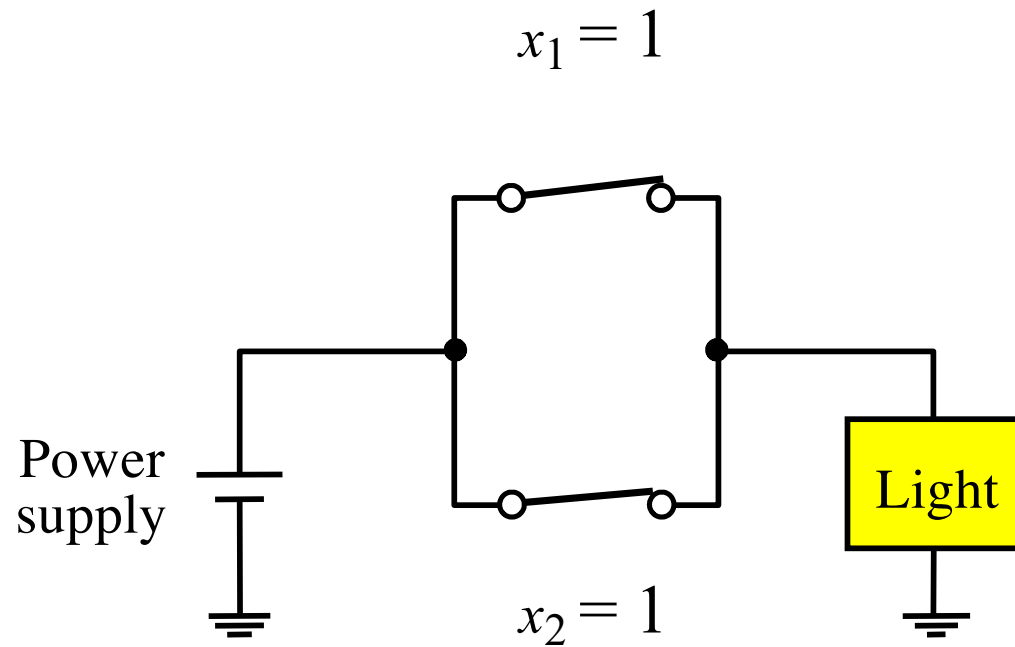


The Logical OR function

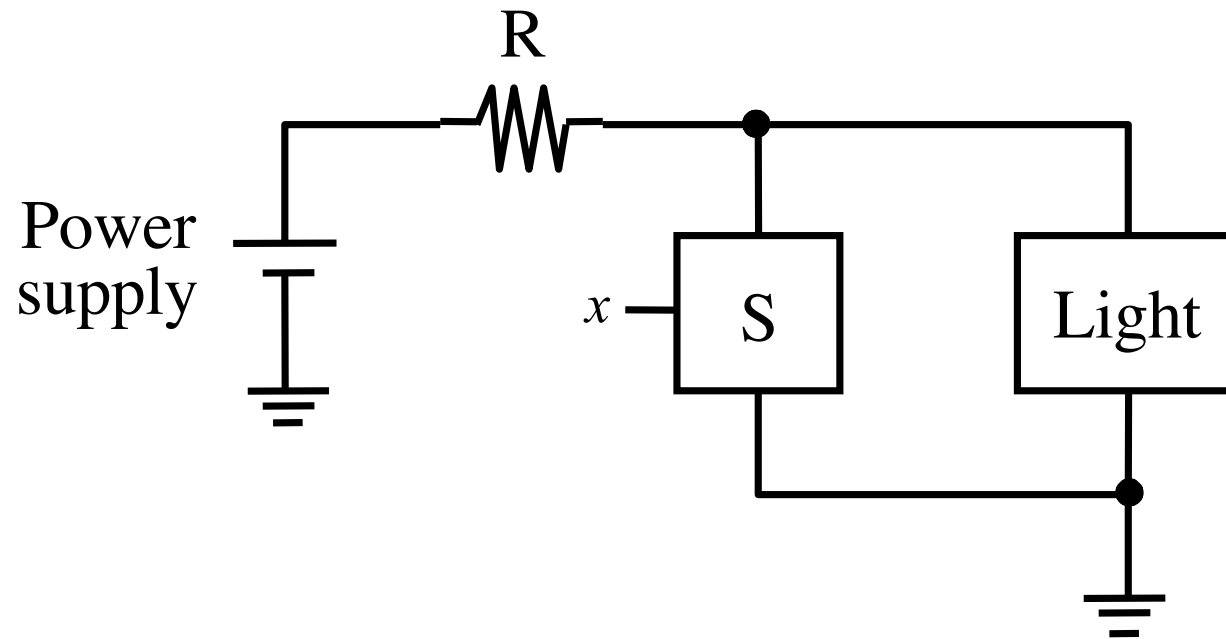
(parallel connection of the switches)



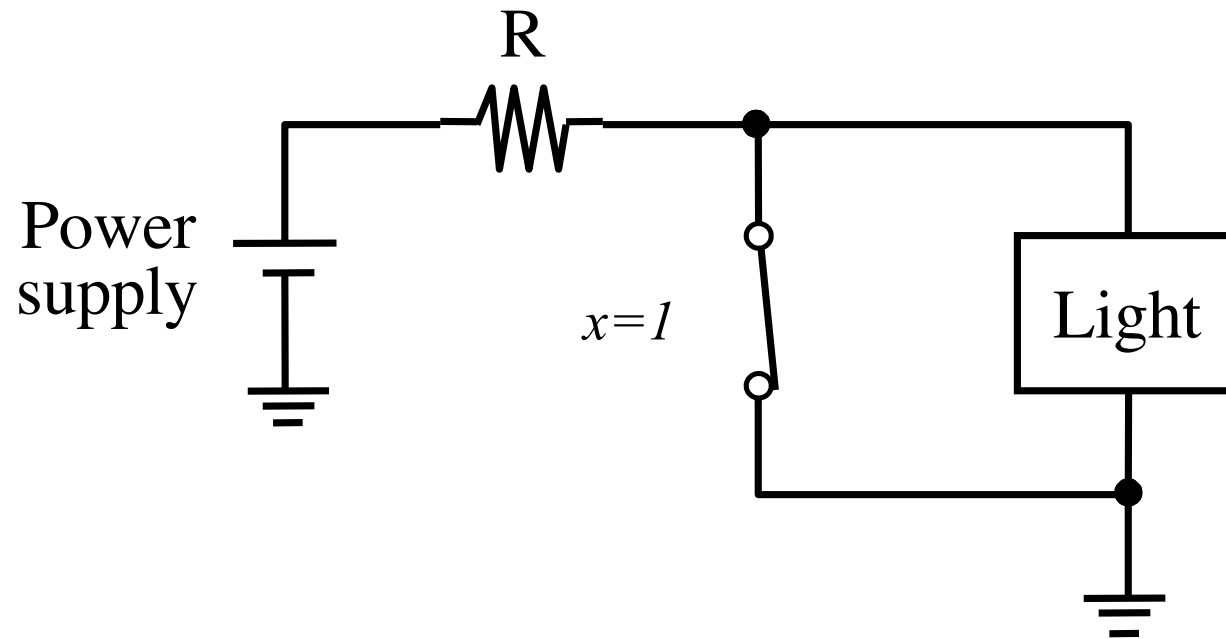
The Logical OR function (parallel connection of the switches)



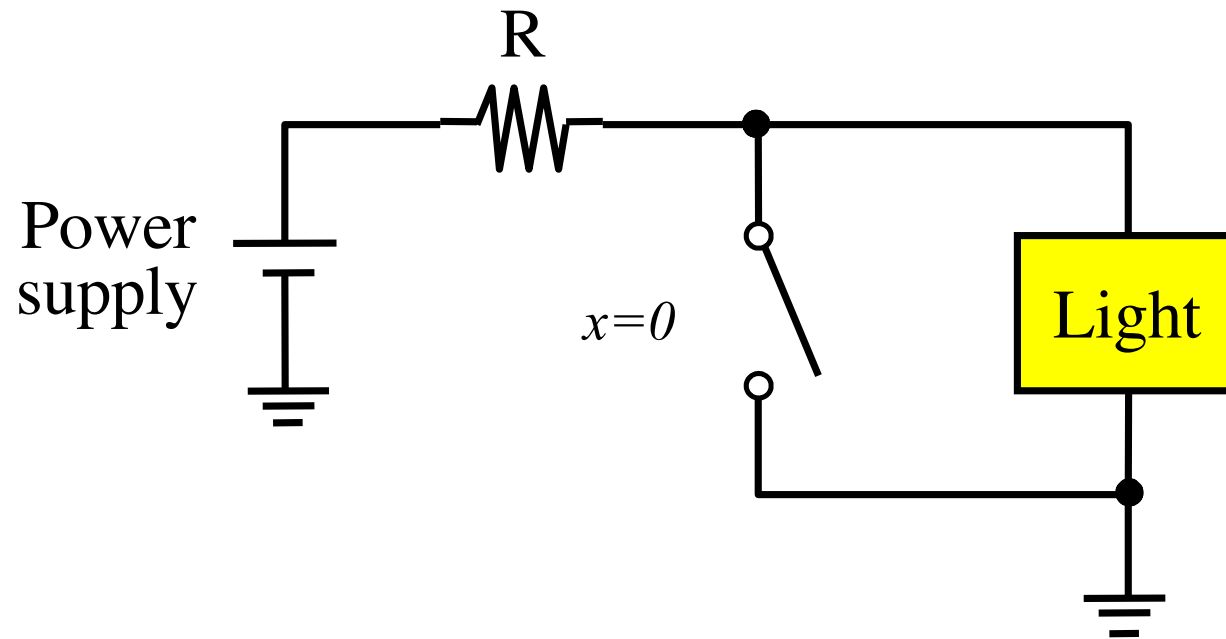
An Inverting Circuit



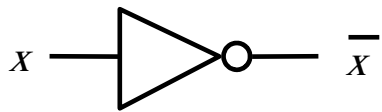
An Inverting Circuit



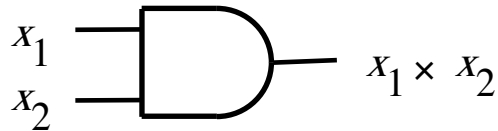
An Inverting Circuit



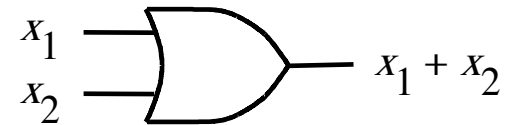
The Three Basic Logic Gates



NOT gate

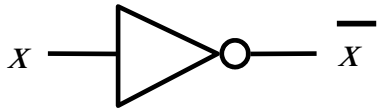


AND gate



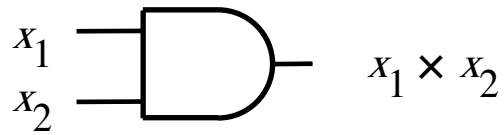
OR gate

Truth Table for NOT



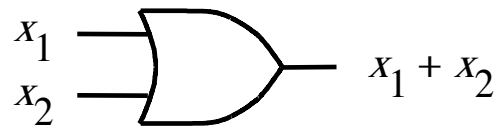
x	\bar{x}
0	1
1	0

Truth Table for AND



x_1	x_2	$x_1 \cdot x_2$
0	0	0
0	1	0
1	0	0
1	1	1

Truth Table for OR



x_1	x_2	$x_1 + x_2$
0	0	0
0	1	1
1	0	1
1	1	1

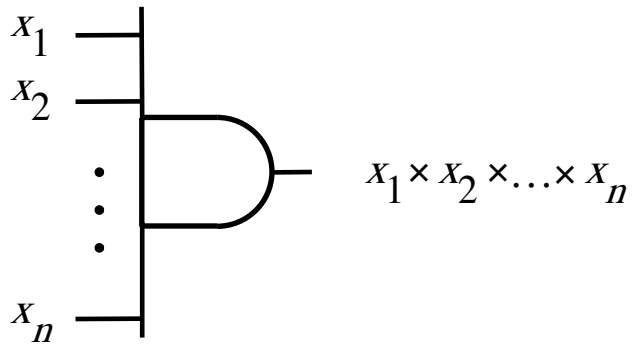
Truth Tables for AND and OR

x_1	x_2	x_1	x_2	$x_1 + x_2$
0	0	0	0	0
0	1	0	1	1
1	0	0	1	1
1	1	1	1	1

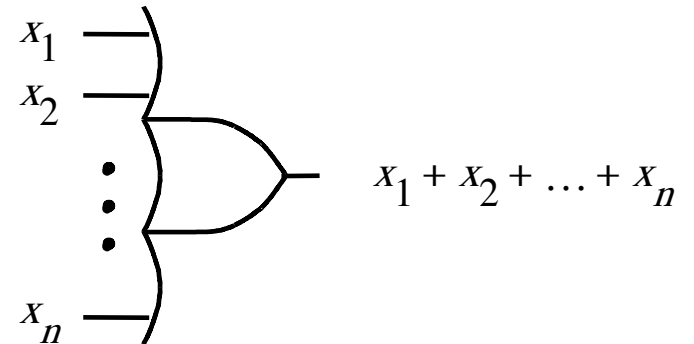
AND

OR

Logic Gates with n Inputs



AND gate

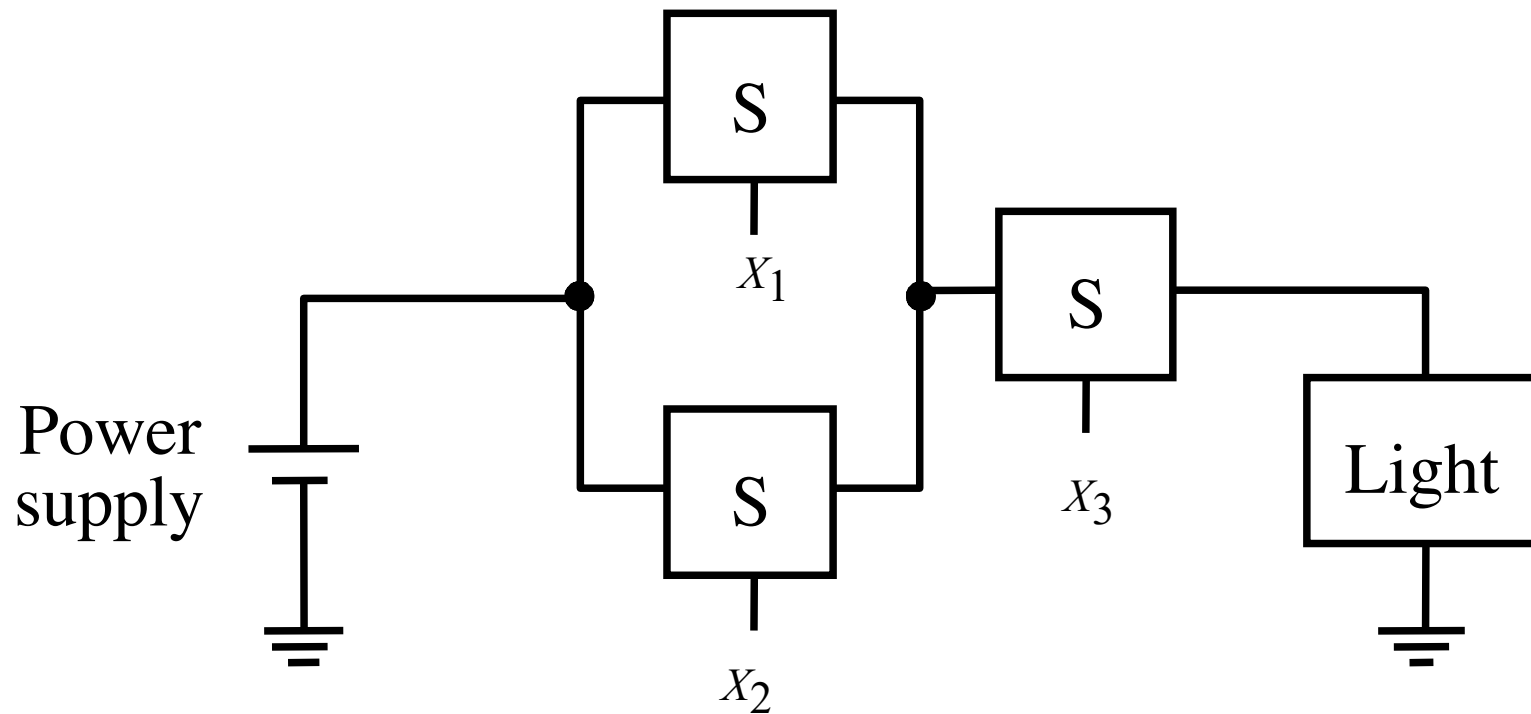


OR gate

Truth Table for 3-input AND and OR

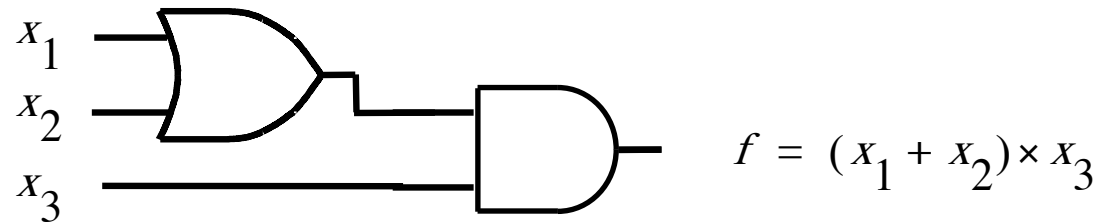
x_1	x_2	x_3	x_1	x_2	x_3	$x_1 + x_2 + x_3$
0	0	0	0	0	0	0
0	0	1	0	0	1	1
0	1	0	0	1	0	1
0	1	1	0	1	1	1
1	0	0	1	0	0	1
1	0	1	1	0	1	1
1	1	0	1	1	0	1
1	1	1	1	1	1	1

A series-parallel connection of the switches

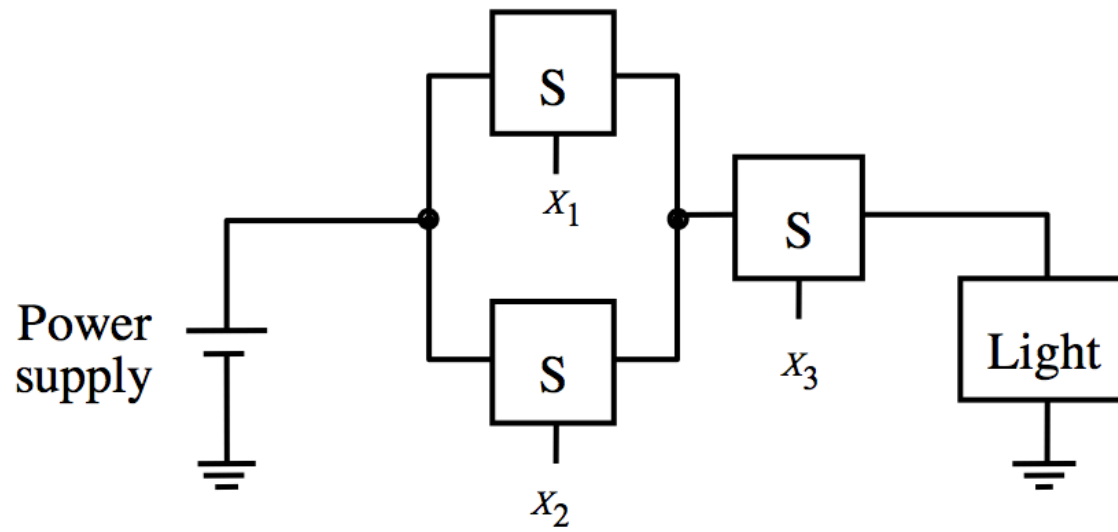
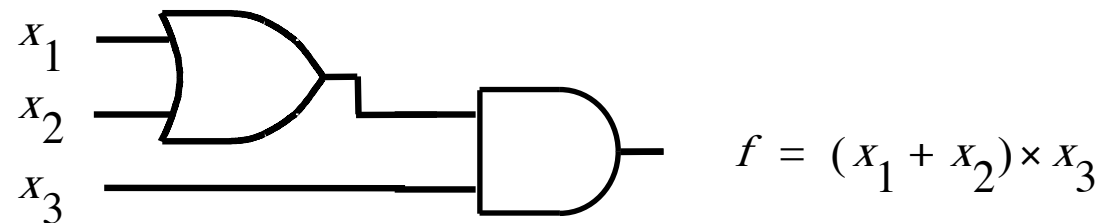


[Figure 2.4 from the textbook]

Example of a Logic Circuit Implemented with Logic Gates

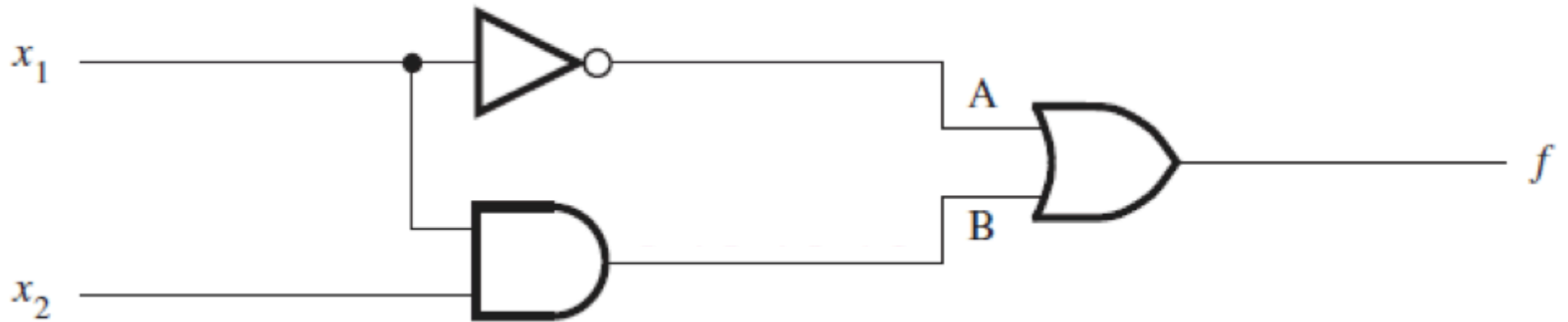


Example of a Logic Circuit Implemented with Logic Gates



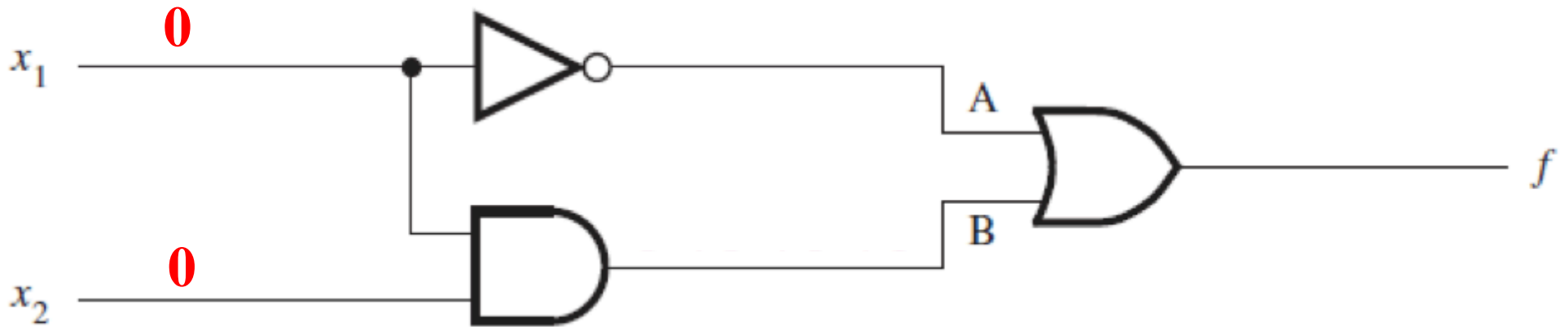
[Figure 2.8 from the textbook]

Circuit Analysis



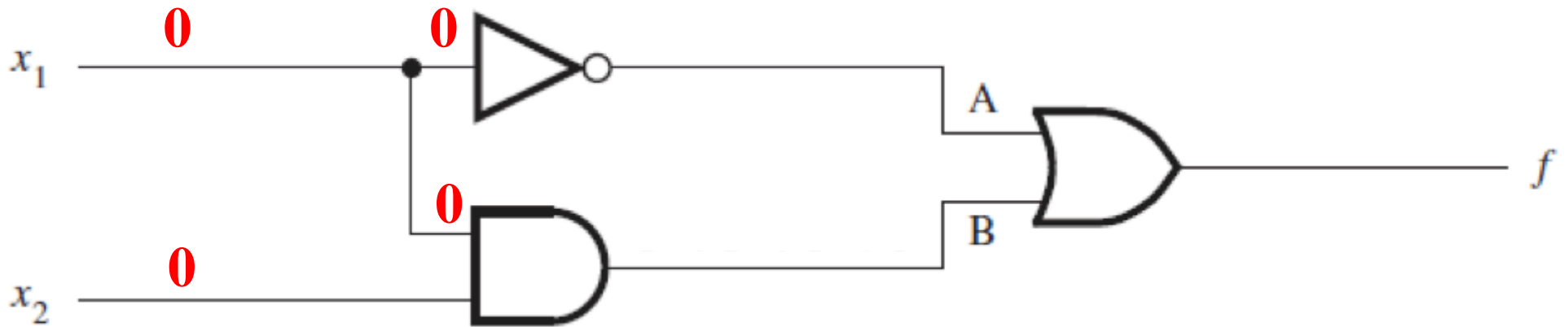
(a) Network that implements $f = \bar{x}_1 + x_1 \cdot x_2$

Circuit Analysis



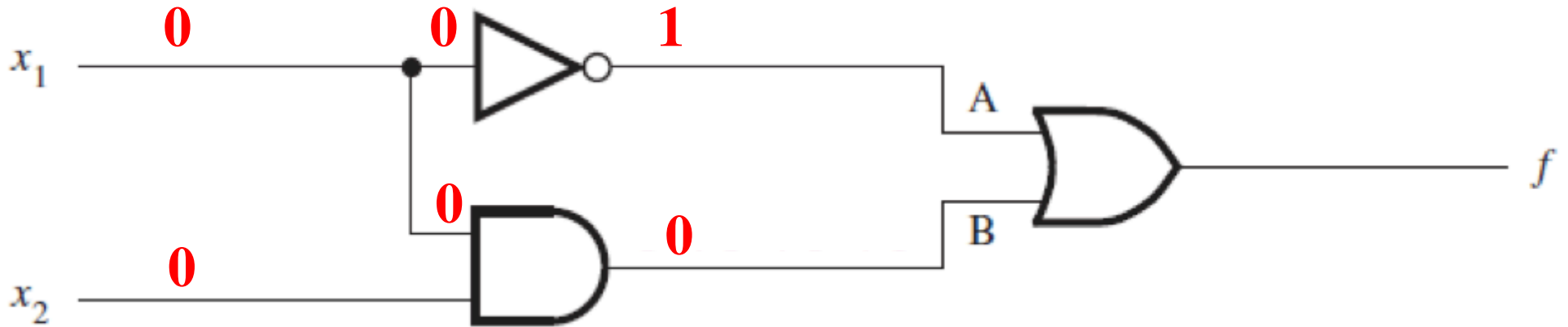
(a) Network that implements $f = \bar{x}_1 + x_1 \cdot x_2$

Circuit Analysis



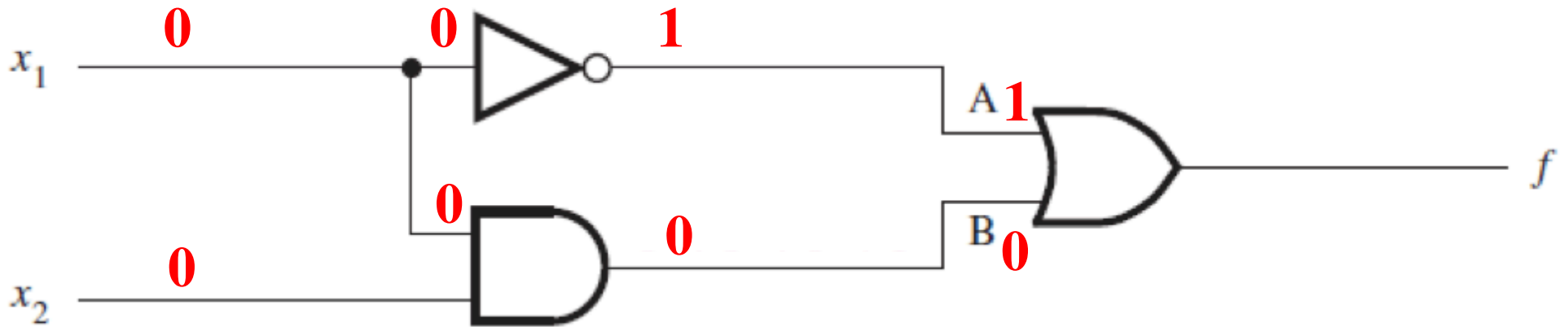
(a) Network that implements $f = \bar{x}_1 + x_1 \cdot x_2$

Circuit Analysis



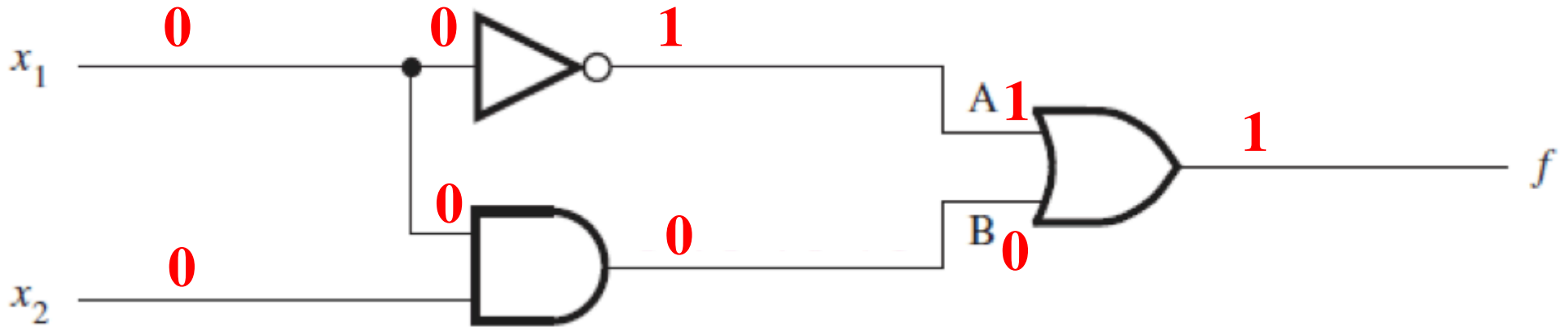
(a) Network that implements $f = \bar{x}_1 + x_1 \cdot x_2$

Circuit Analysis



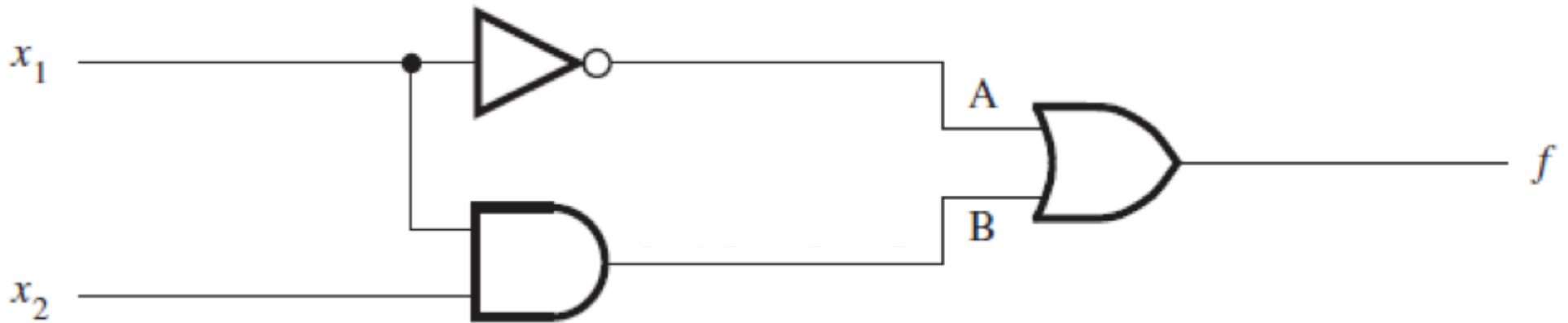
(a) Network that implements $f = \bar{x}_1 + x_1 \cdot x_2$

Circuit Analysis



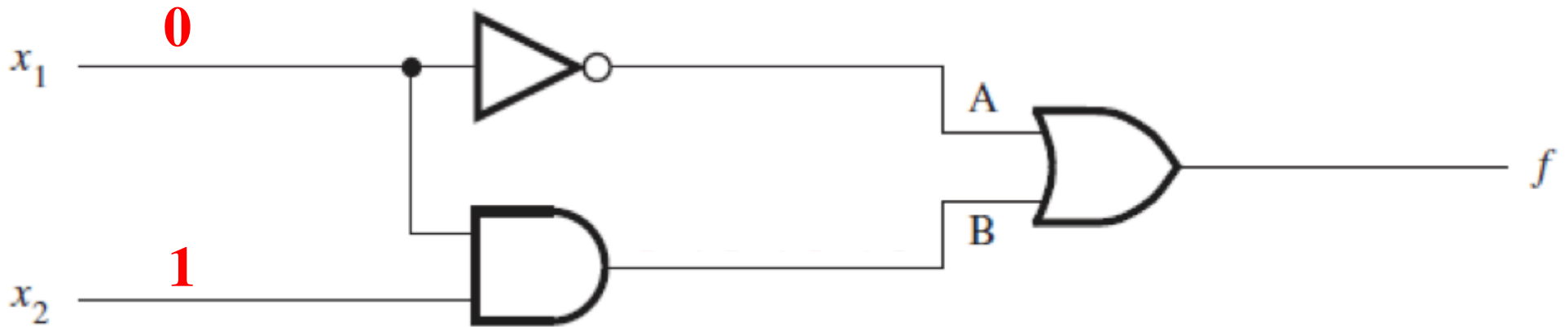
(a) Network that implements $f = \bar{x}_1 + x_1 \cdot x_2$

Circuit Analysis



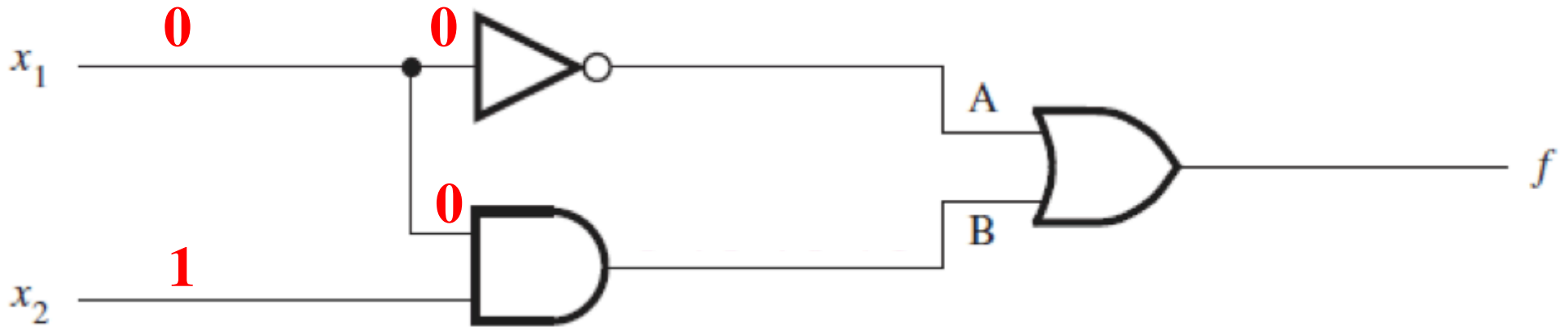
(a) Network that implements $f = \bar{x}_1 + x_1 \cdot x_2$

Circuit Analysis



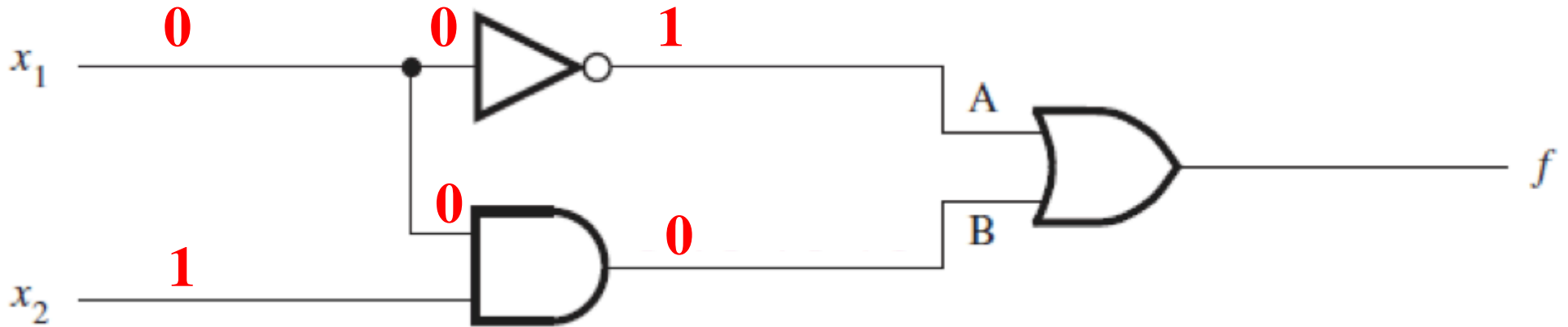
(a) Network that implements $f = \bar{x}_1 + x_1 \cdot x_2$

Circuit Analysis



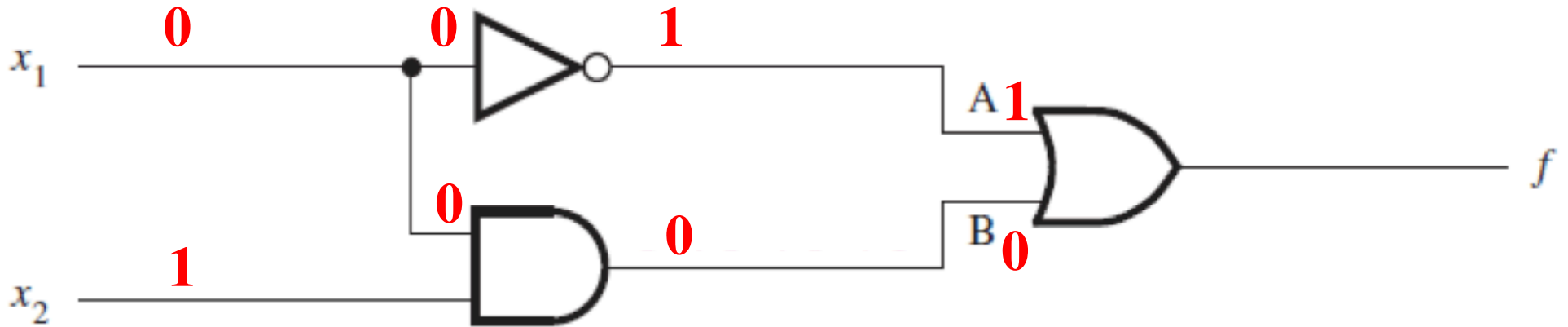
(a) Network that implements $f = \bar{x}_1 + x_1 \cdot x_2$

Circuit Analysis



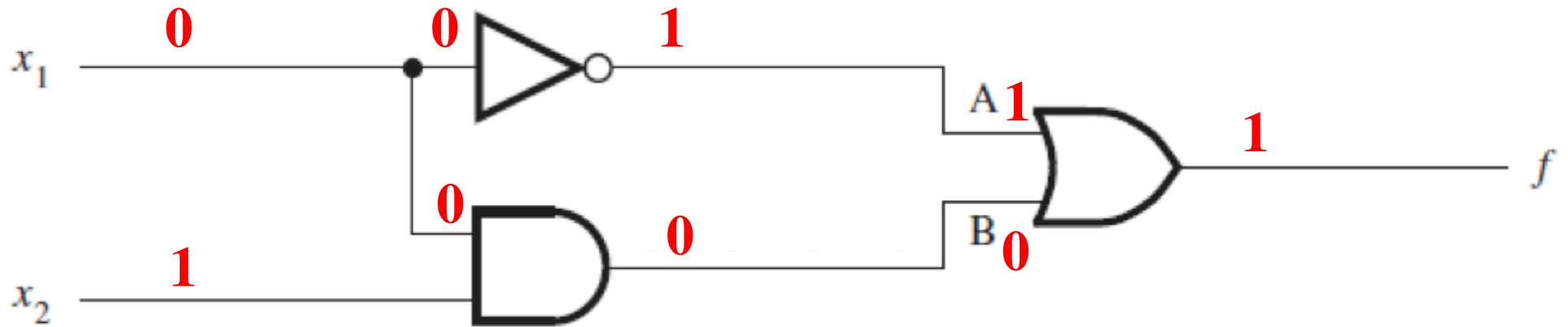
(a) Network that implements $f = \bar{x}_1 + x_1 \cdot x_2$

Circuit Analysis



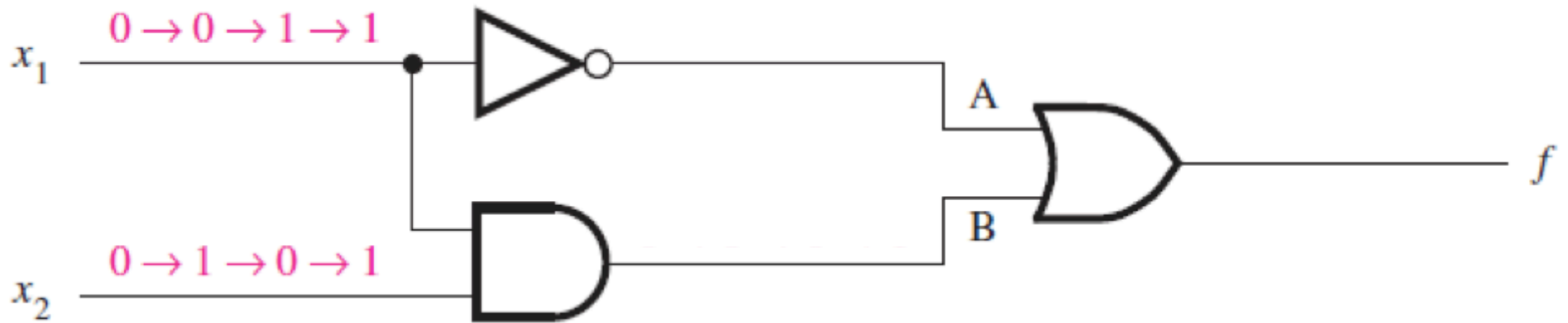
(a) Network that implements $f = \bar{x}_1 + x_1 \cdot x_2$

Circuit Analysis



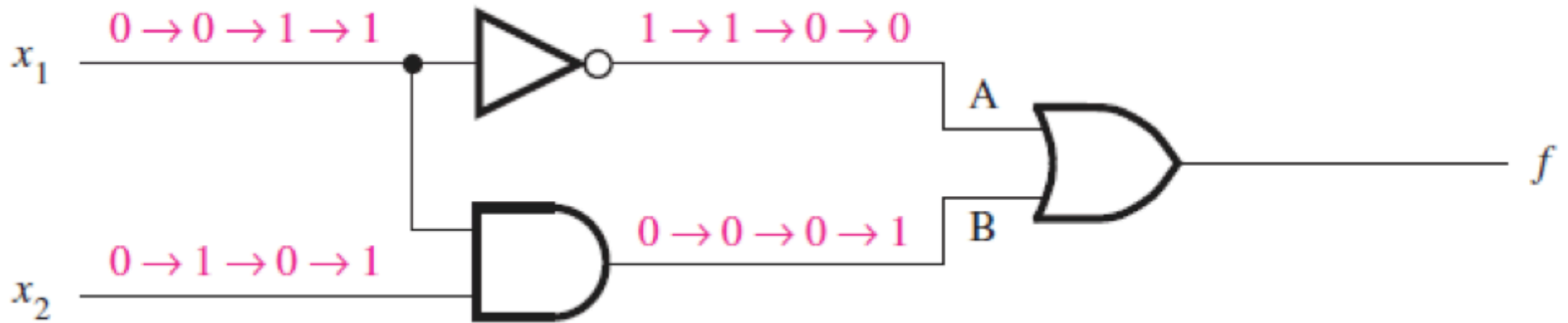
(a) Network that implements $f = \bar{x}_1 + x_1 \cdot x_2$

Circuit Analysis with Sequential Inputs



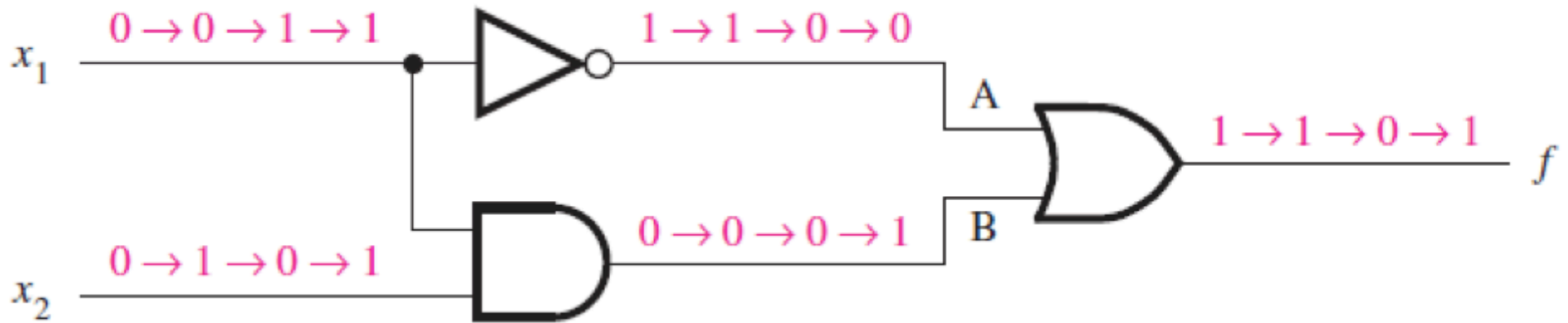
(a) Network that implements $f = \bar{x}_1 + x_1 \cdot x_2$

Circuit Analysis with Sequential Inputs



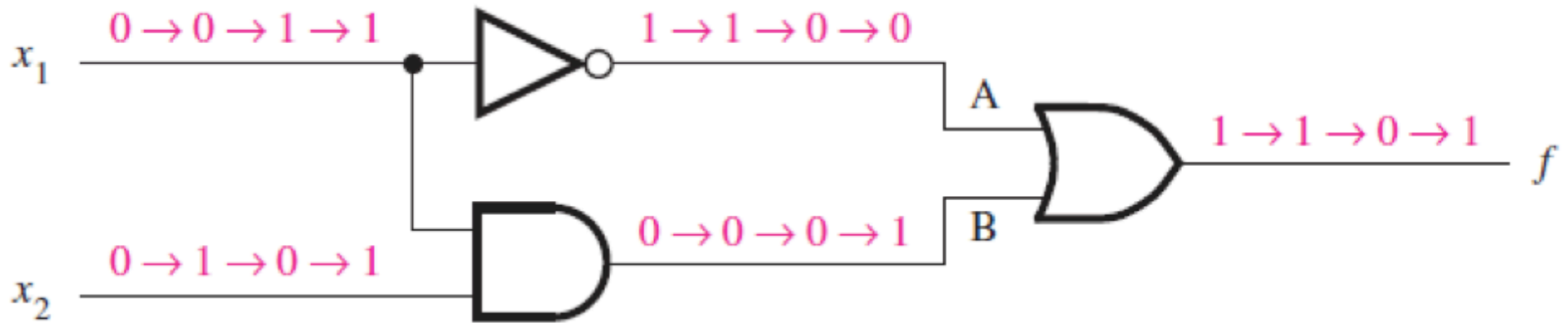
(a) Network that implements $f = \bar{x}_1 + x_1 \cdot x_2$

Circuit Analysis with Sequential Inputs

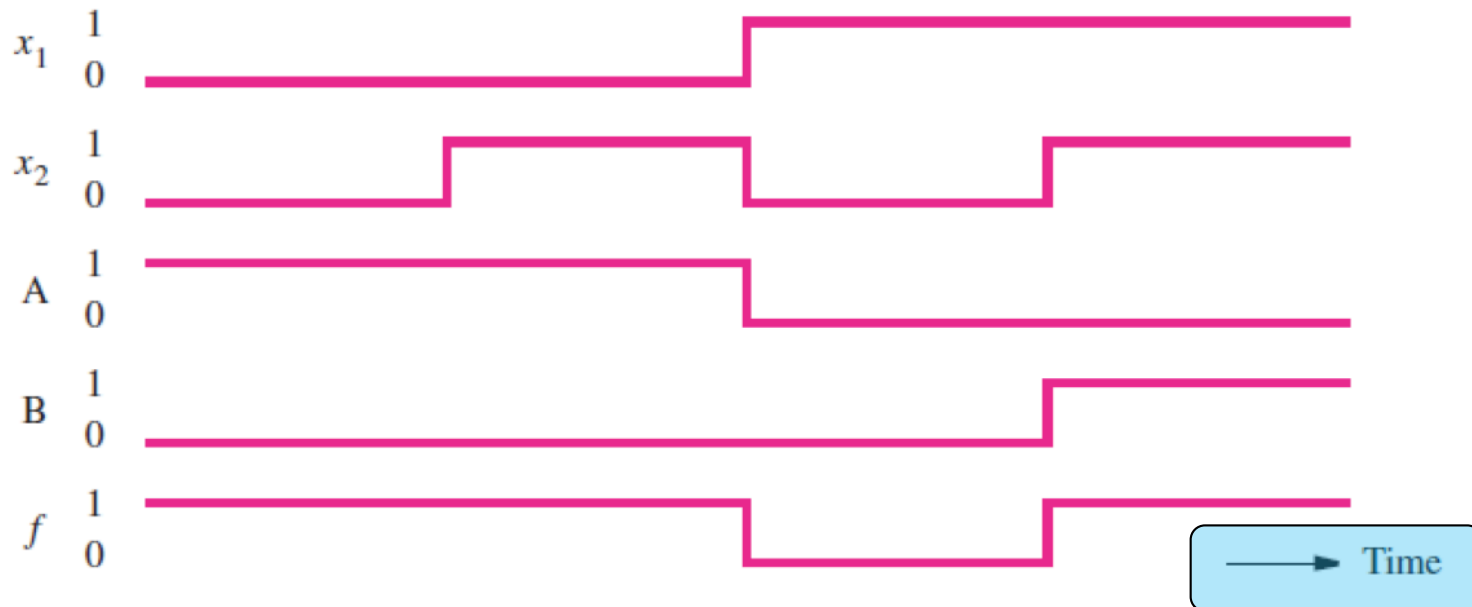


(a) Network that implements $f = \bar{x}_1 + x_1 \cdot x_2$

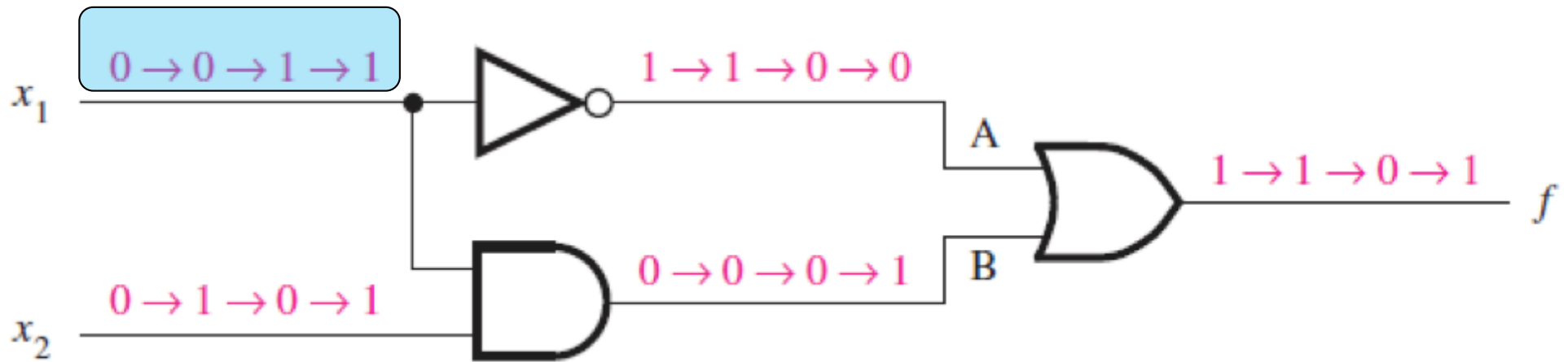
Circuit Analysis with Sequential Inputs



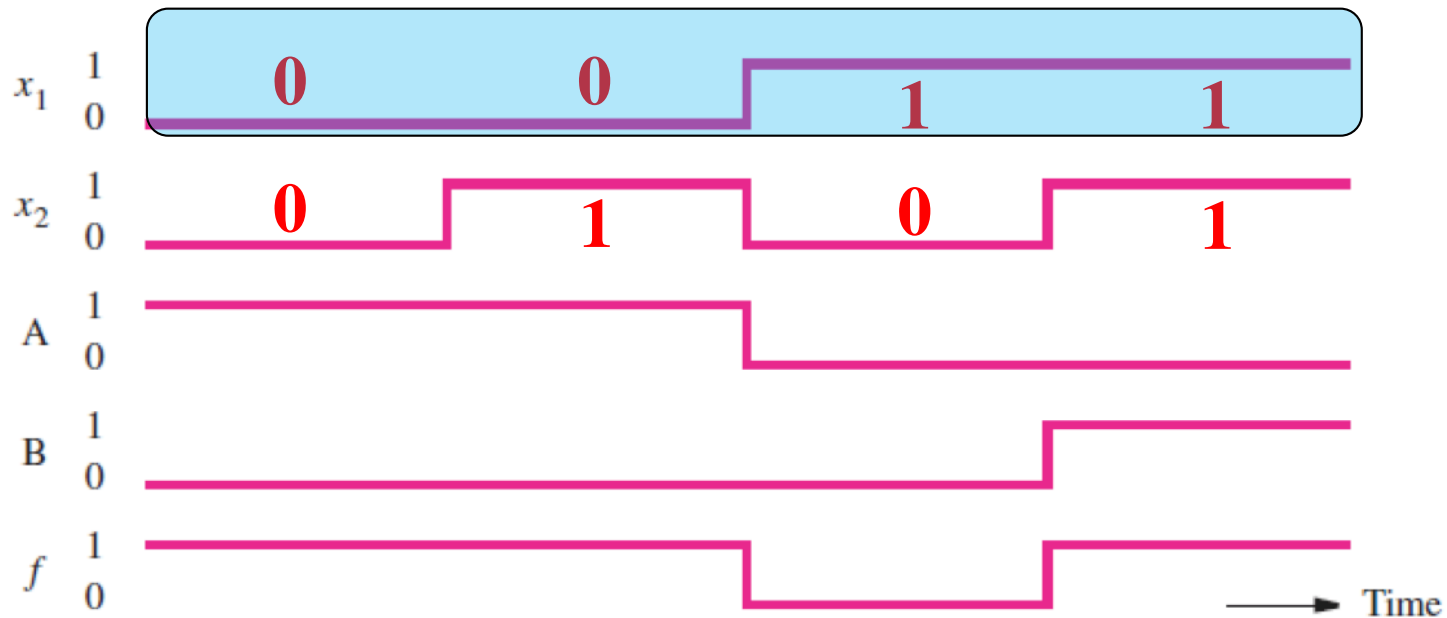
(a) Network that implements $f = \bar{x}_1 + x_1 \cdot x_2$



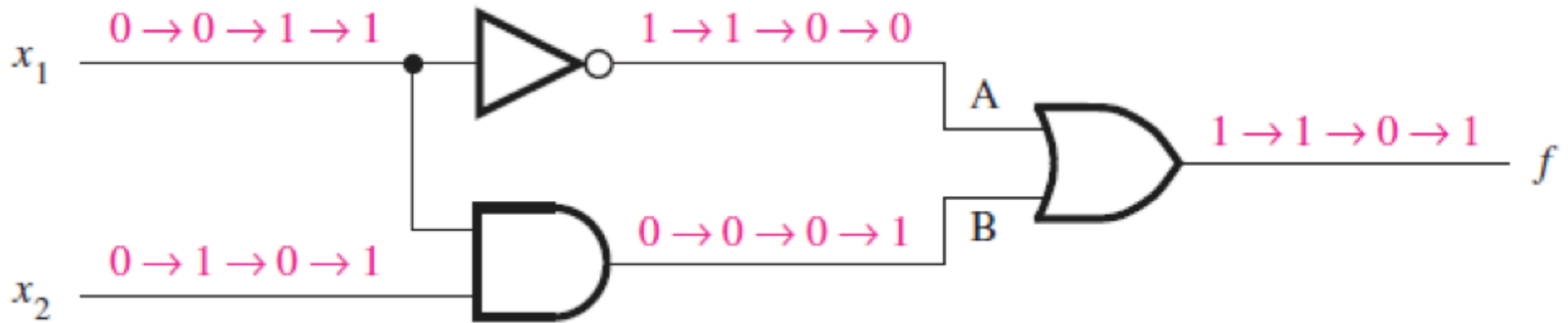
Circuit Analysis with Sequential Inputs



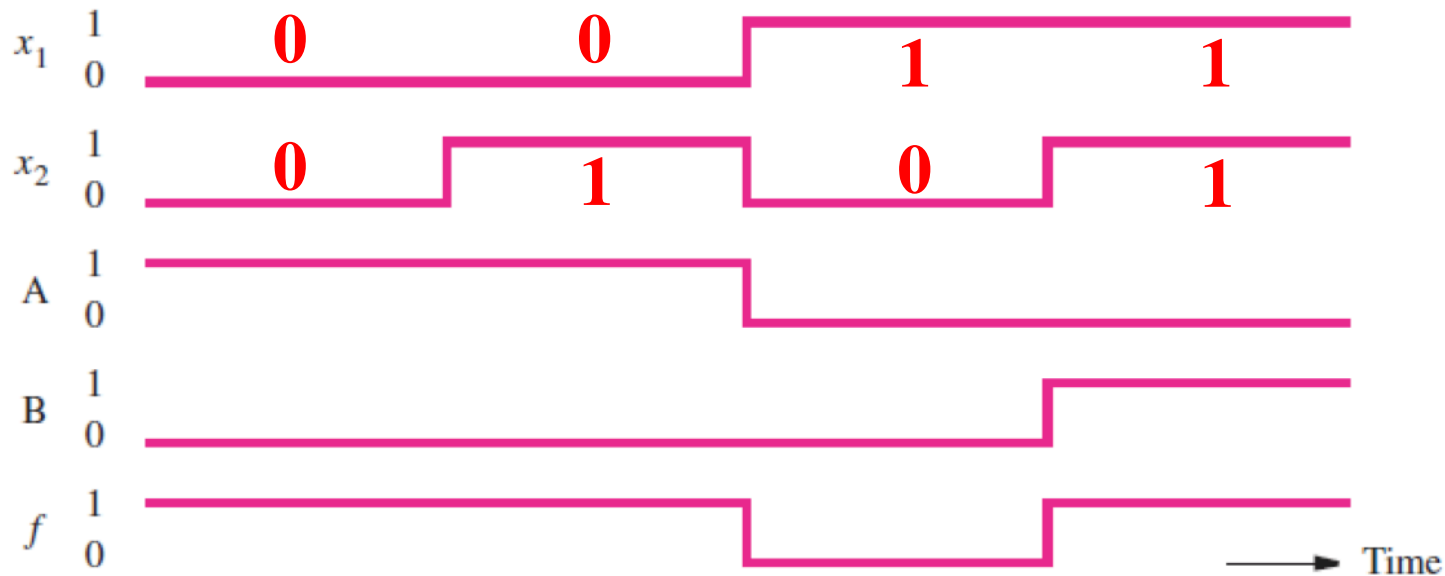
(a) Network that implements $f = \bar{x}_1 + x_1 \cdot x_2$



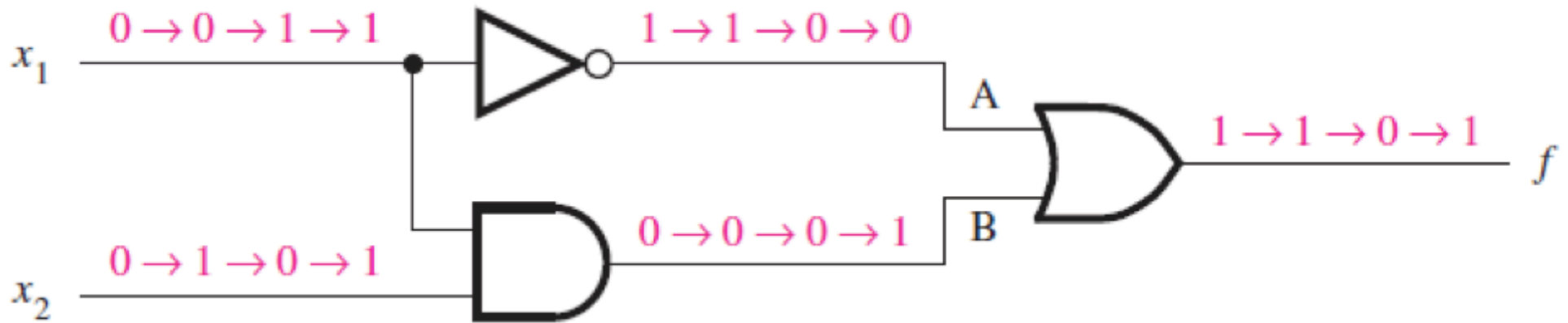
Circuit Analysis with Sequential Inputs



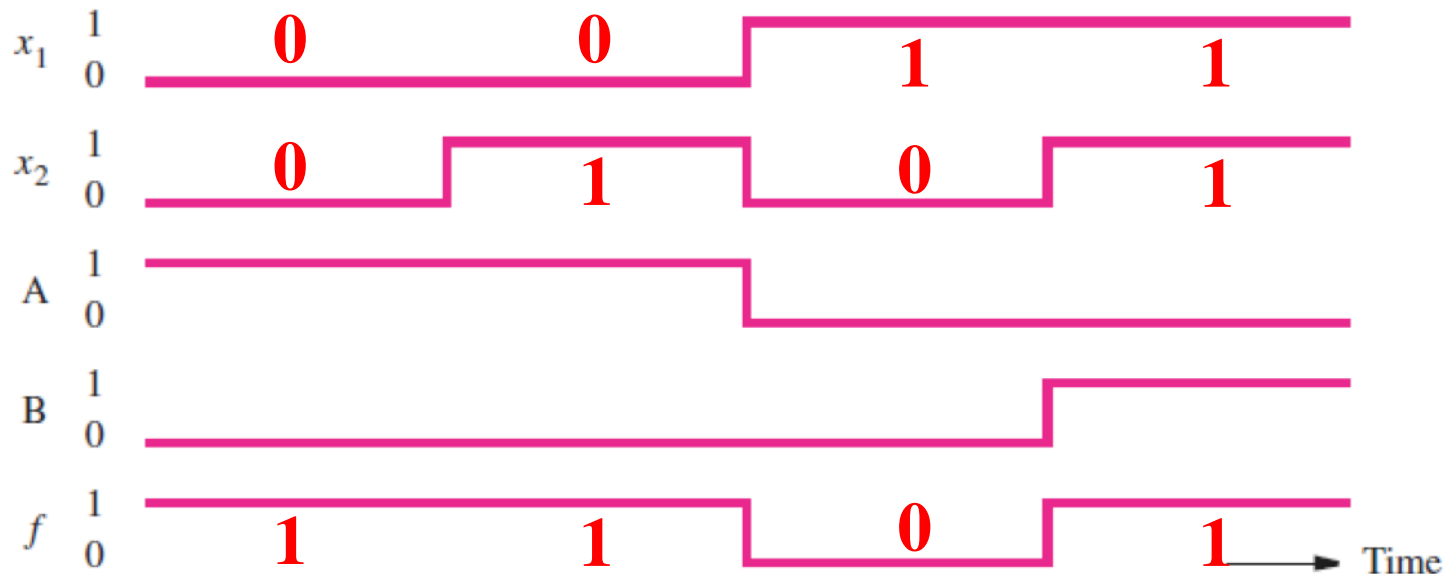
(a) Network that implements $f = \bar{x}_1 + x_1 \cdot x_2$



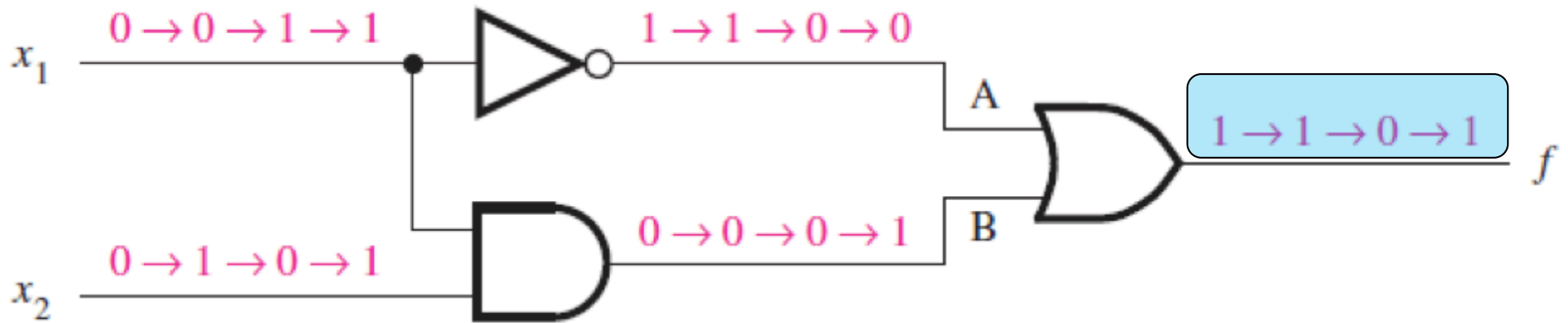
Circuit Analysis with Sequential Inputs



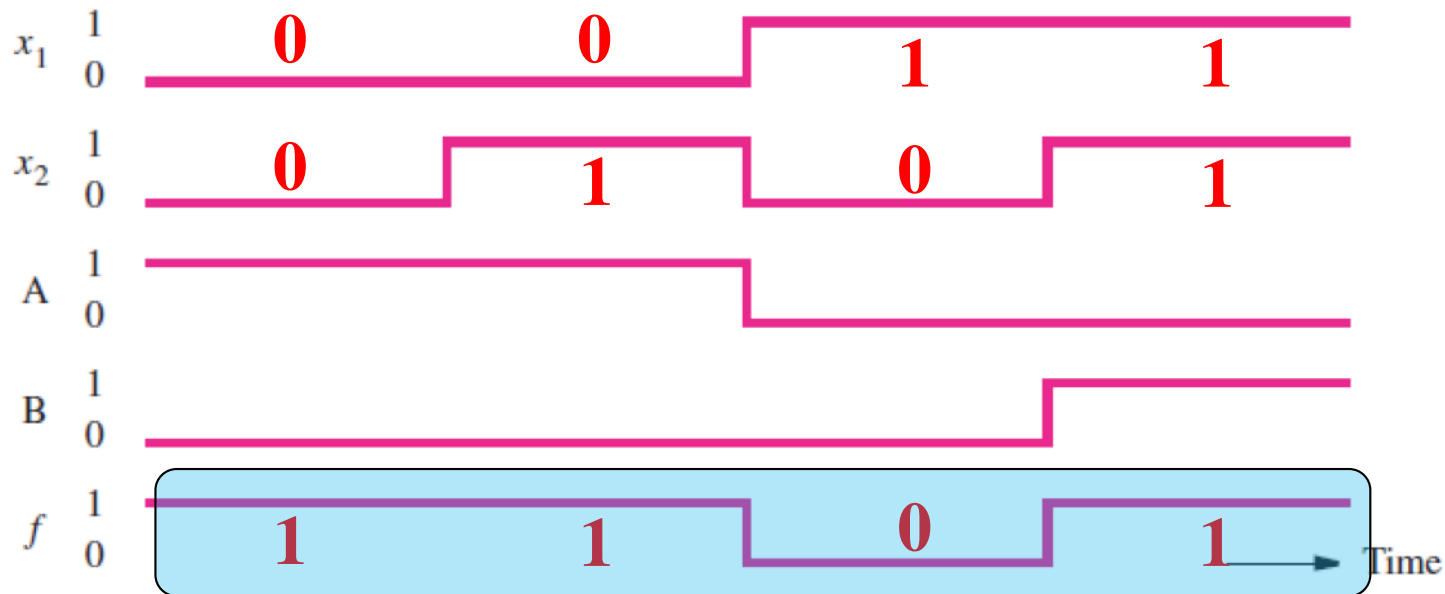
(a) Network that implements $f = \bar{x}_1 + x_1 \cdot x_2$



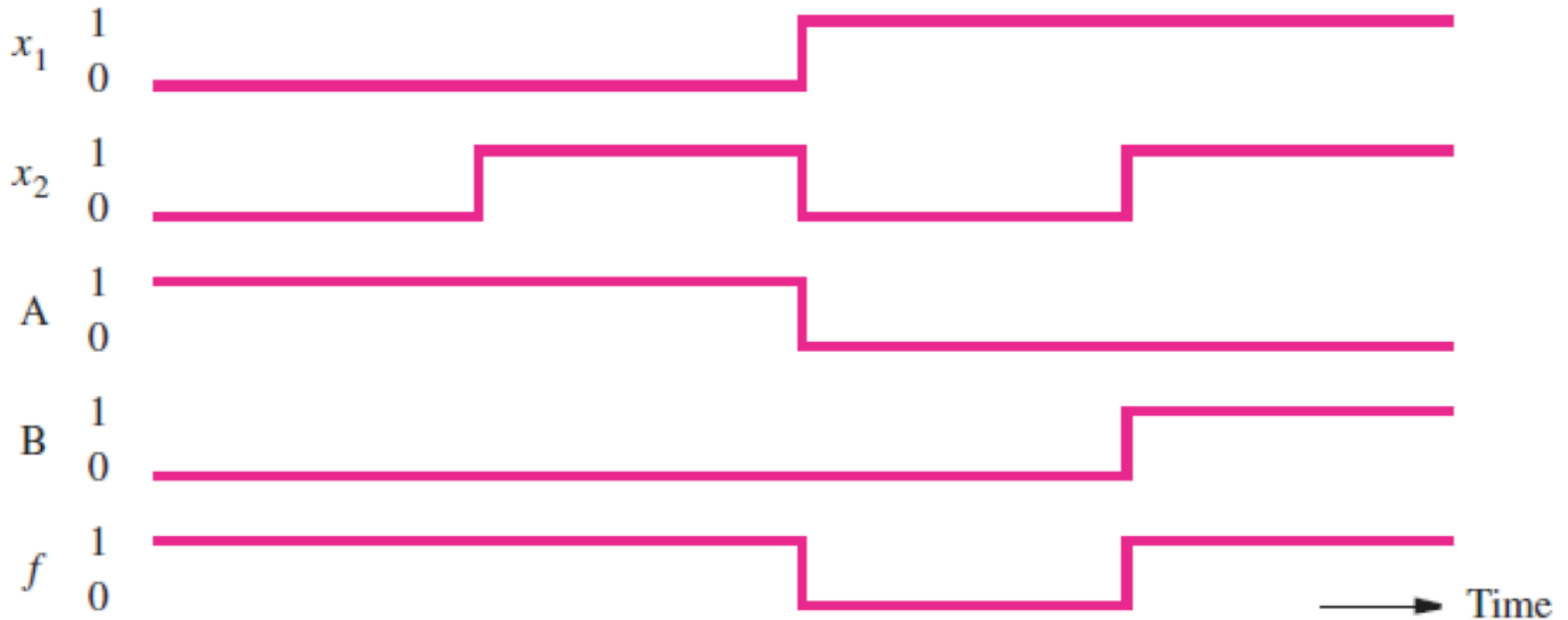
Circuit Analysis with Sequential Inputs



(a) Network that implements $f = \bar{x}_1 + x_1 \cdot x_2$



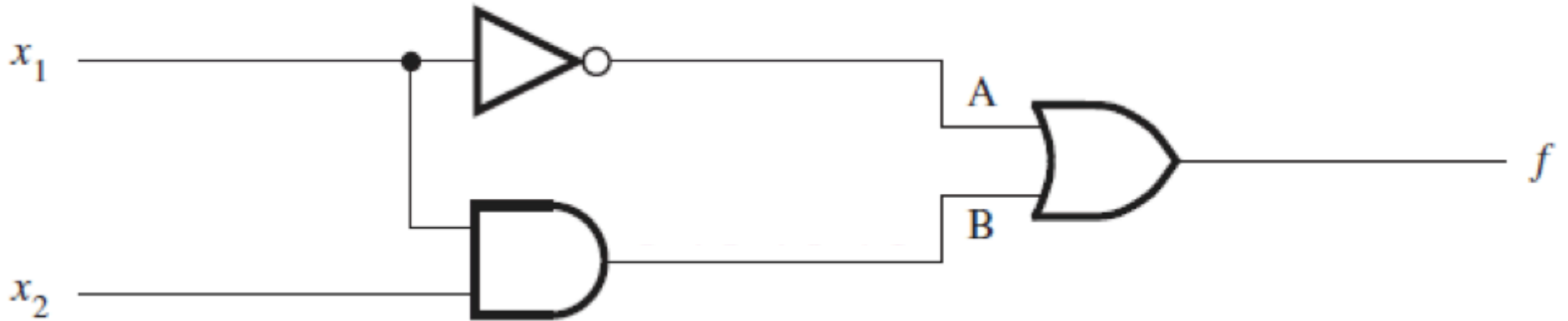
Timing Diagram



Truth Table for this Logic Circuit

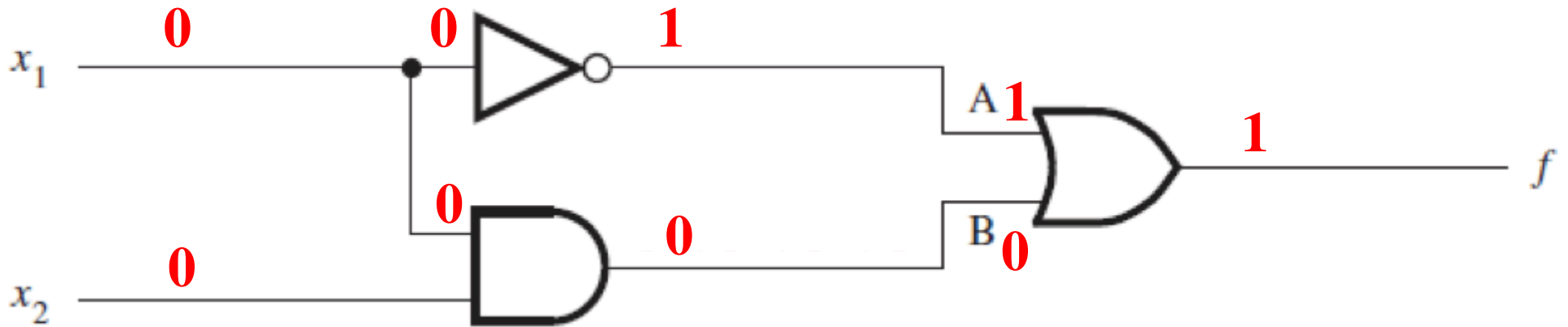
x_1	x_2	$f(x_1, x_2)$
0	0	1
0	1	1
1	0	0
1	1	1

Truth Table for $f = \overline{x_1} + x_1 x_2$



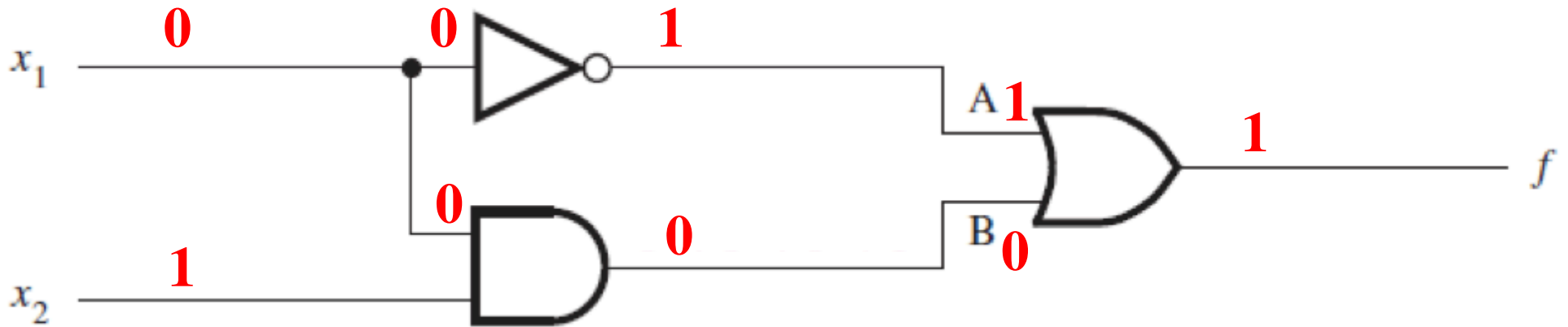
x_1	x_2	$f(x_1, x_2)$
0	0	1
0	1	1
1	0	0
1	1	1

Truth Table for $f = \overline{x_1} + x_1 x_2$



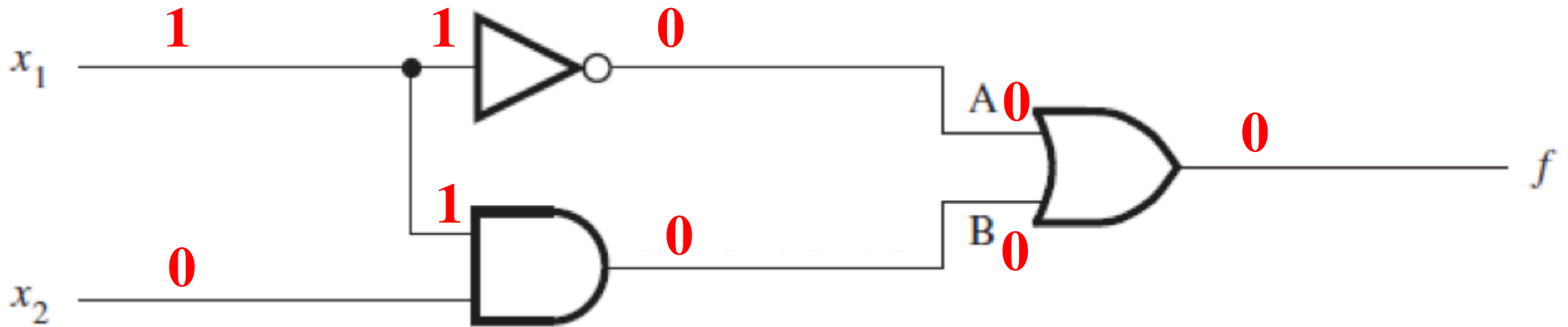
x_1	x_2	$f(x_1, x_2)$
0	0	1
0	1	1
1	0	0
1	1	1

Truth Table for $f = \overline{x_1} + x_1 x_2$



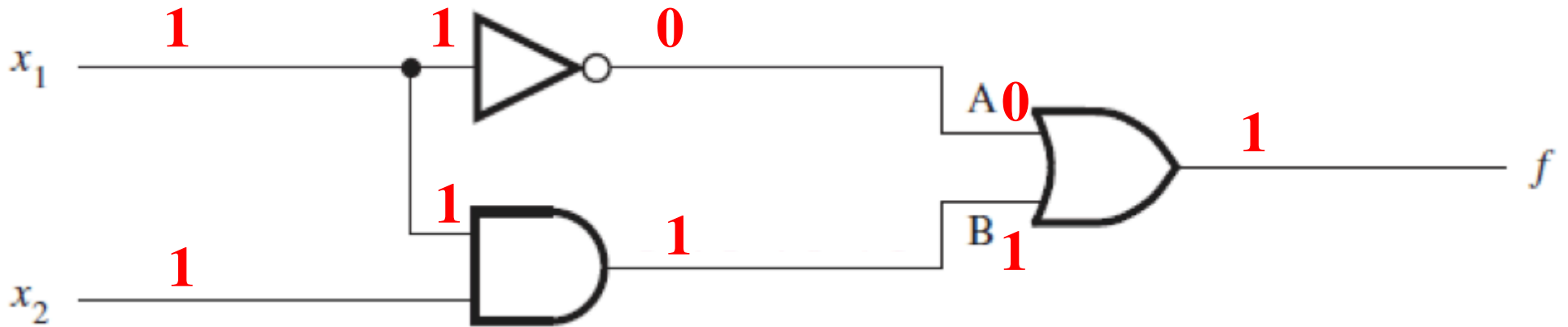
x_1	x_2	$f(x_1, x_2)$
0	0	1
0	1	1
1	0	0
1	1	1

Truth Table for $f = \overline{x_1} + x_1 x_2$



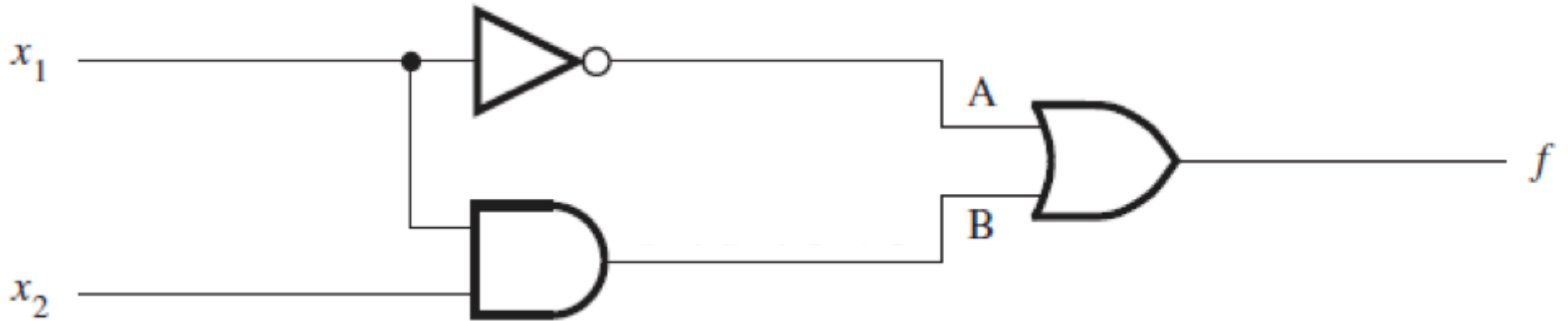
x_1	x_2	$f(x_1, x_2)$
0	0	1
0	1	1
1	0	0
1	1	1

Truth Table for $f = \overline{x_1} + x_1 x_2$



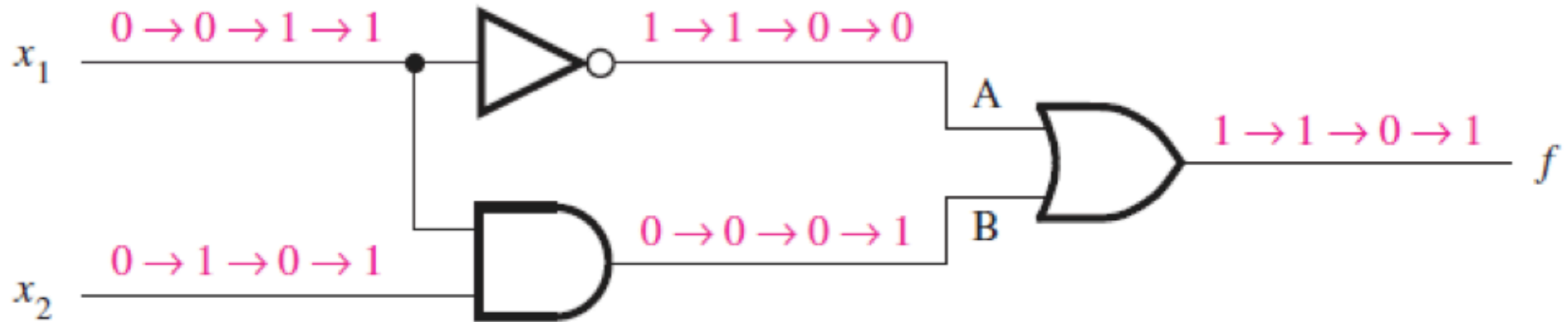
x_1	x_2	$f(x_1, x_2)$
0	0	1
0	1	1
1	0	0
1	1	1

Truth Table for $f = \overline{x_1} + x_1 x_2$



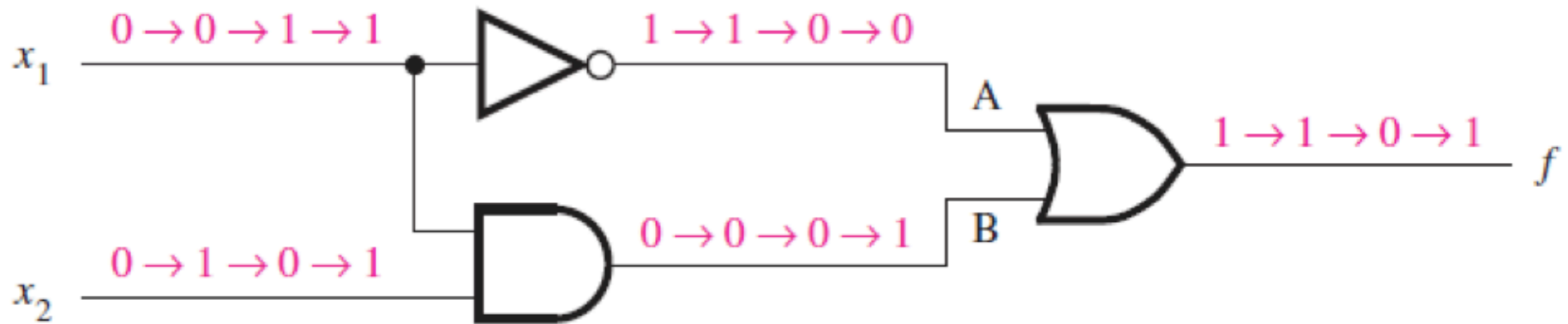
x_1	x_2	$f(x_1, x_2)$
0	0	1
0	1	1
1	0	0
1	1	1

Functionally Equivalent Circuits

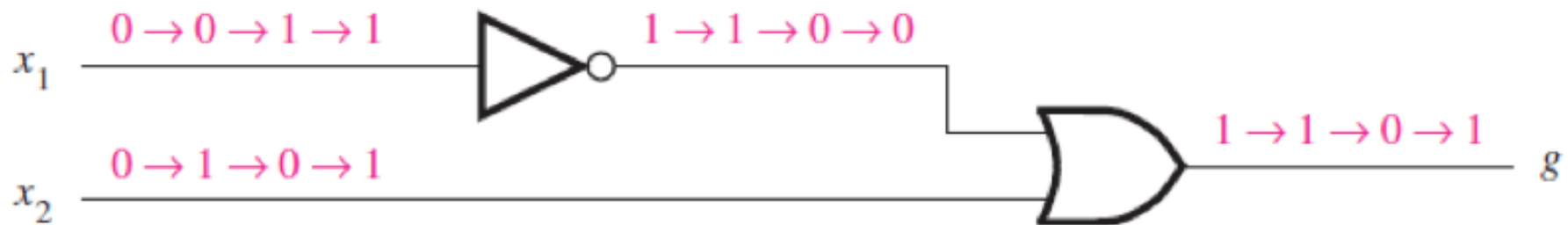


(a) Network that implements $f = \bar{x}_1 + x_1 \cdot x_2$

Functionally Equivalent Circuits

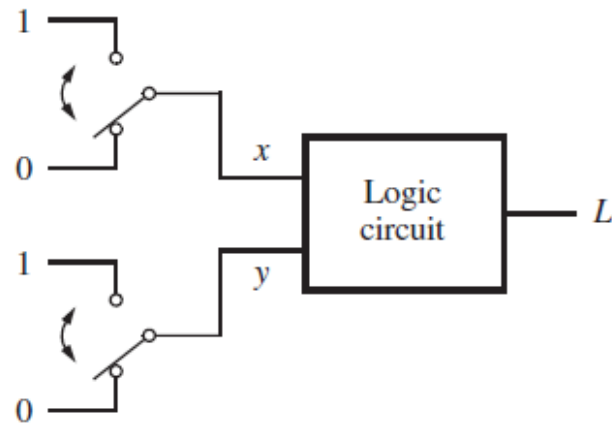


(a) Network that implements $f = \bar{x}_1 + x_1 \cdot x_2$



(d) Network that implements $g = \bar{x}_1 + x_2$

The XOR Logic Gate

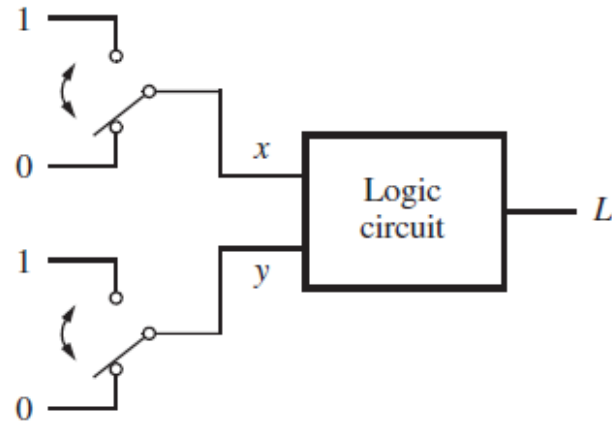


(a) Two switches that control a light

x	y	L
0	0	0
0	1	1
1	0	1
1	1	0

(b) Truth table

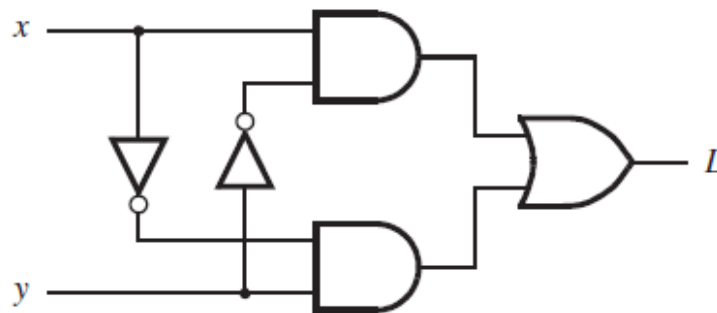
The XOR Logic Gate



(a) Two switches that control a light

x	y	L
0	0	0
0	1	1
1	0	1
1	1	0

(b) Truth table

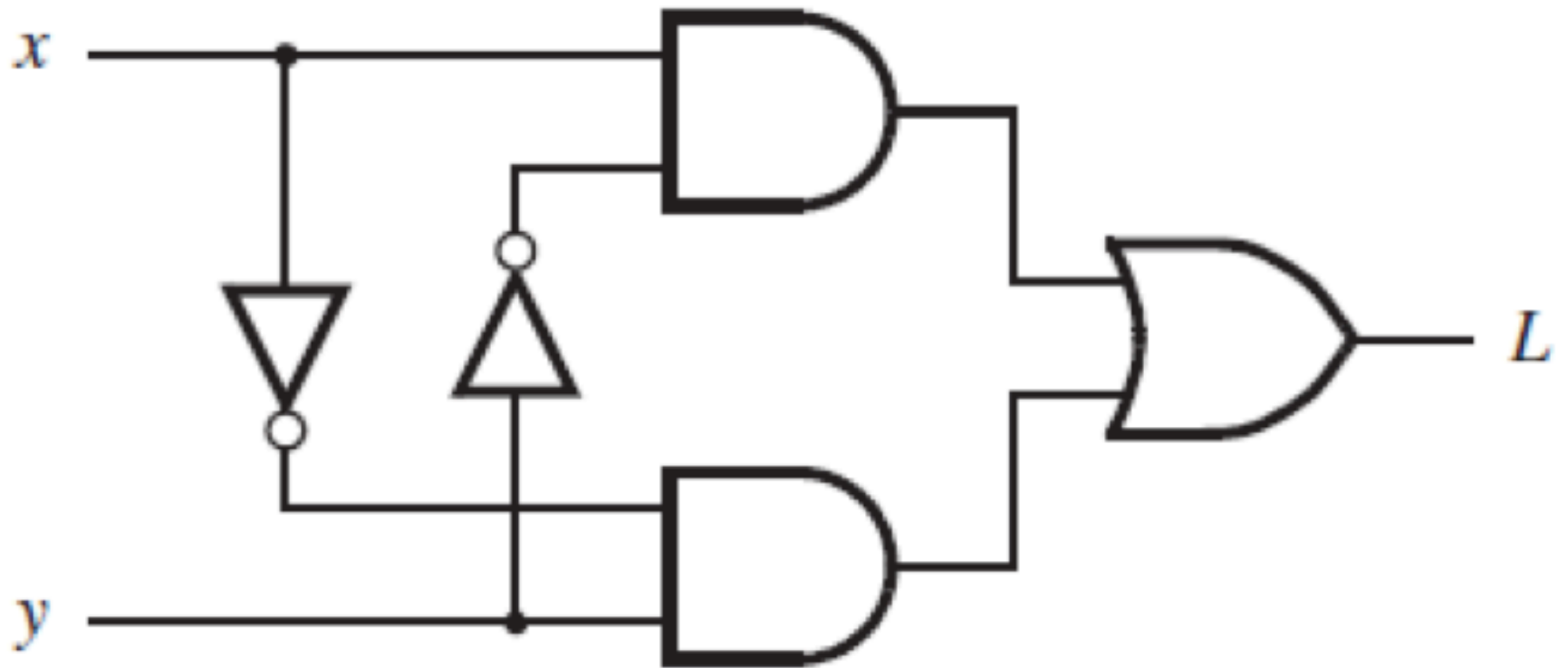


(c) Logic network



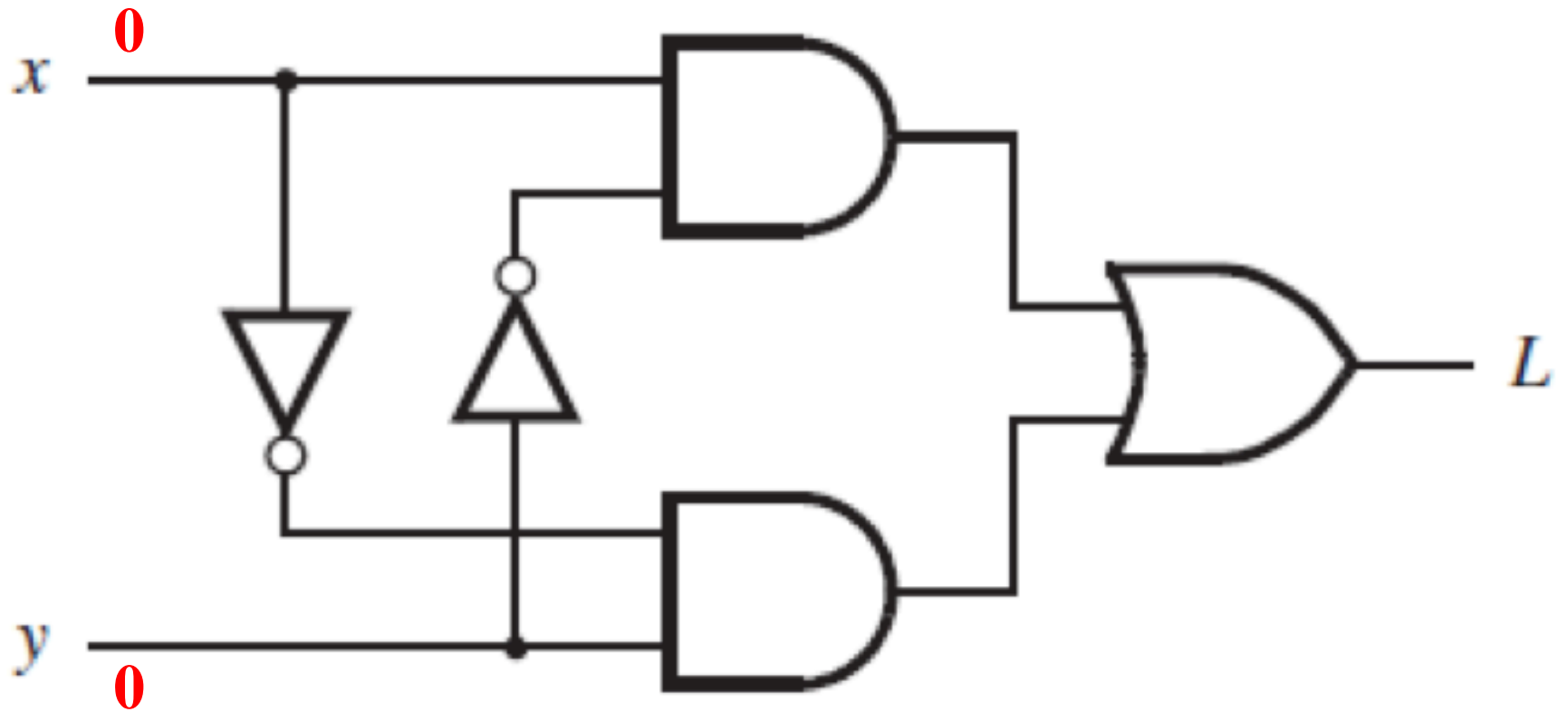
(d) XOR gate symbol

XOR Analysis

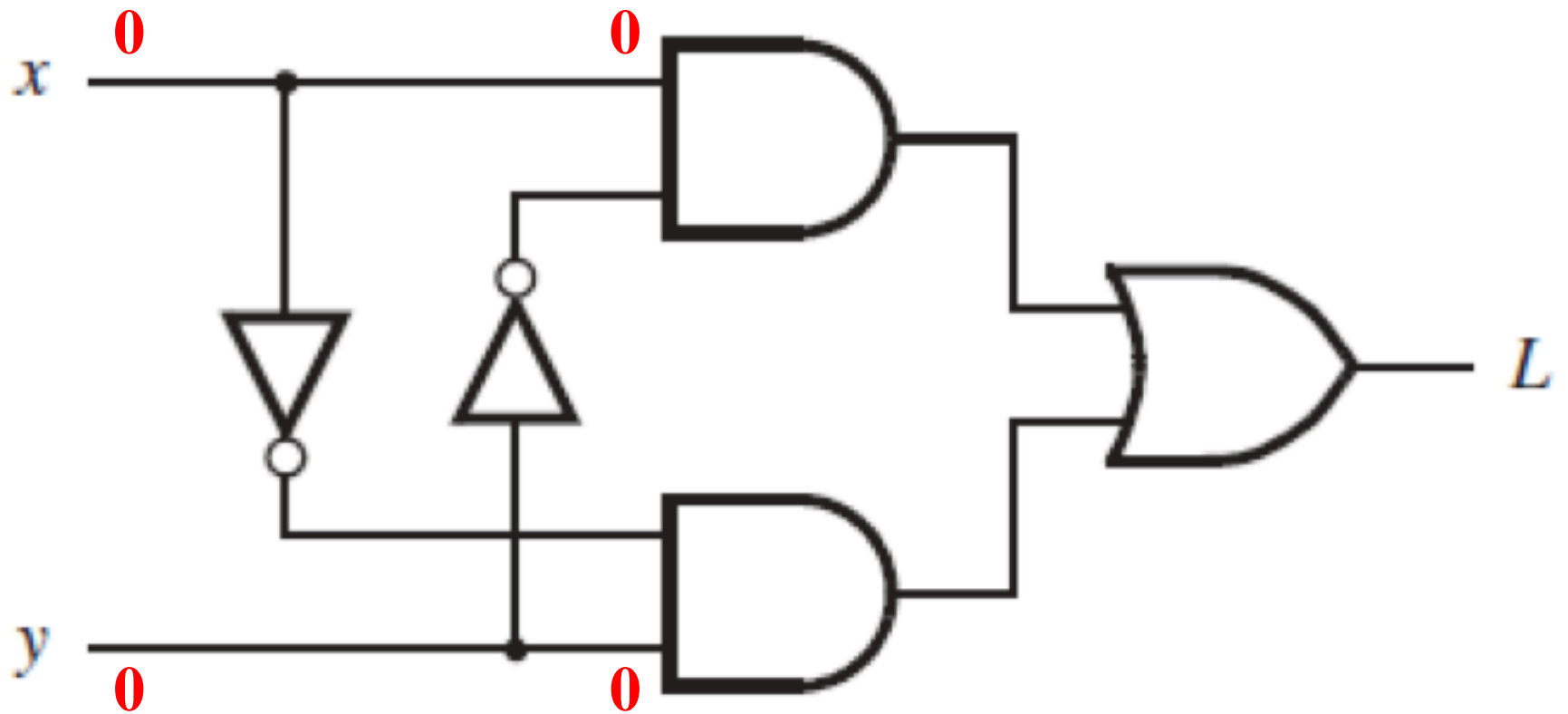


[Figure 2.11c from the textbook]

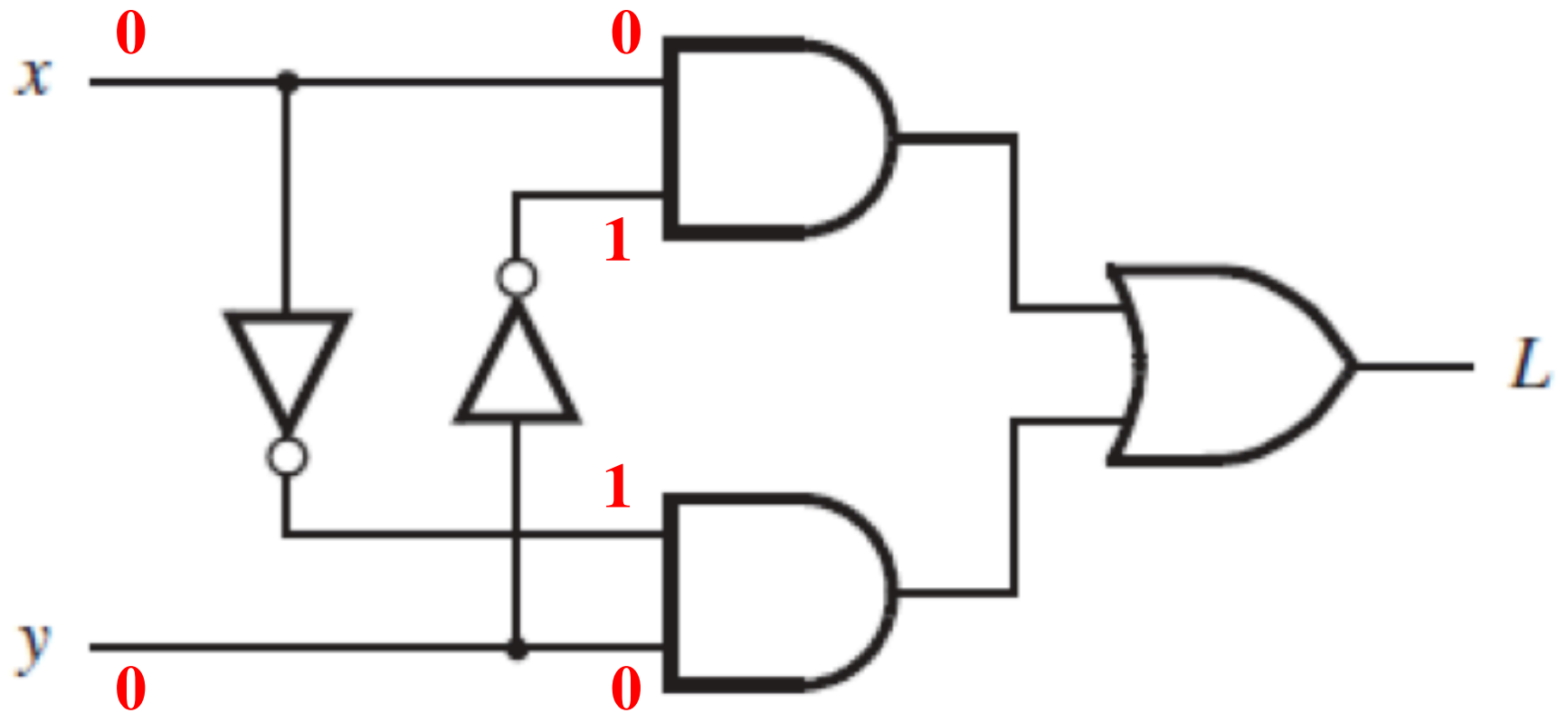
XOR Analysis (x=0, y=0)



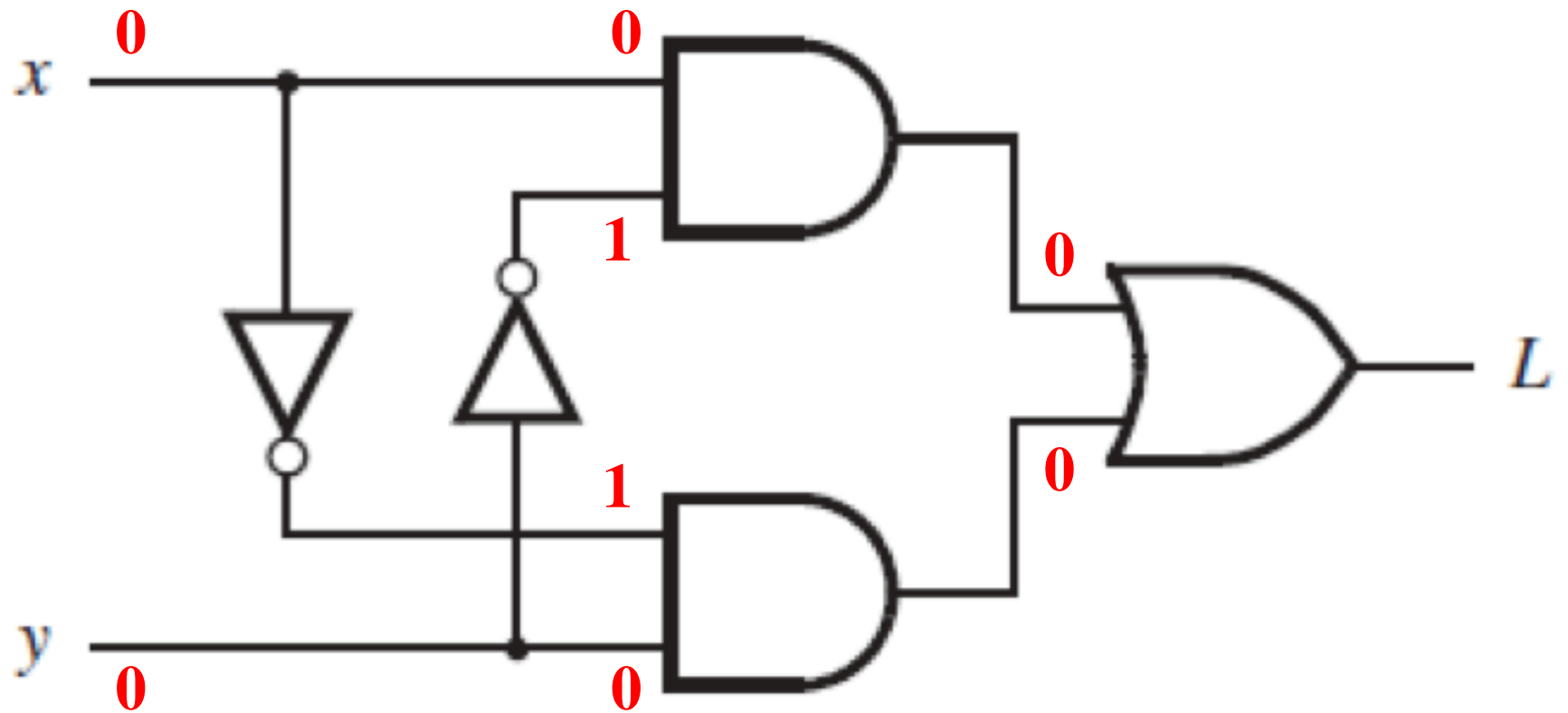
XOR Analysis (x=0, y=0)



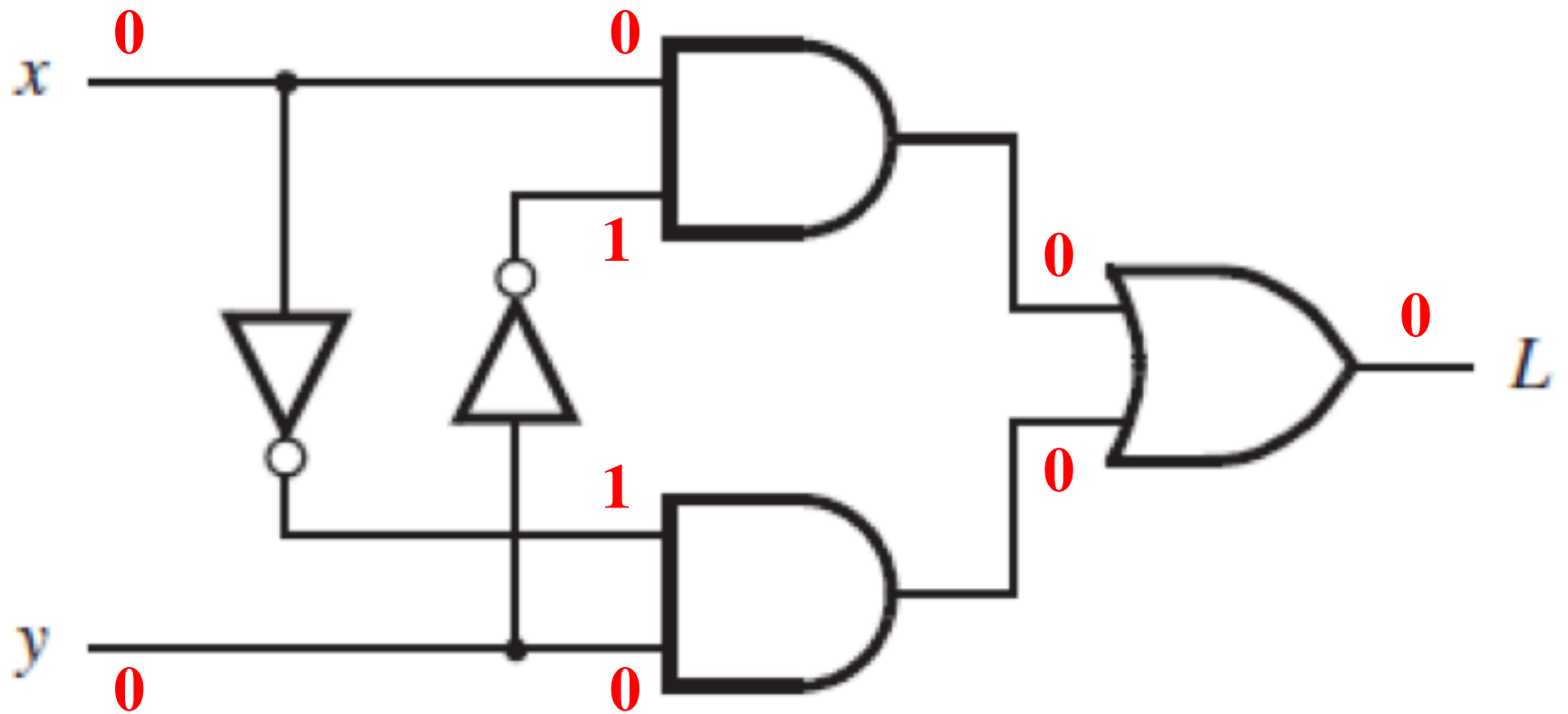
XOR Analysis (x=0, y=0)



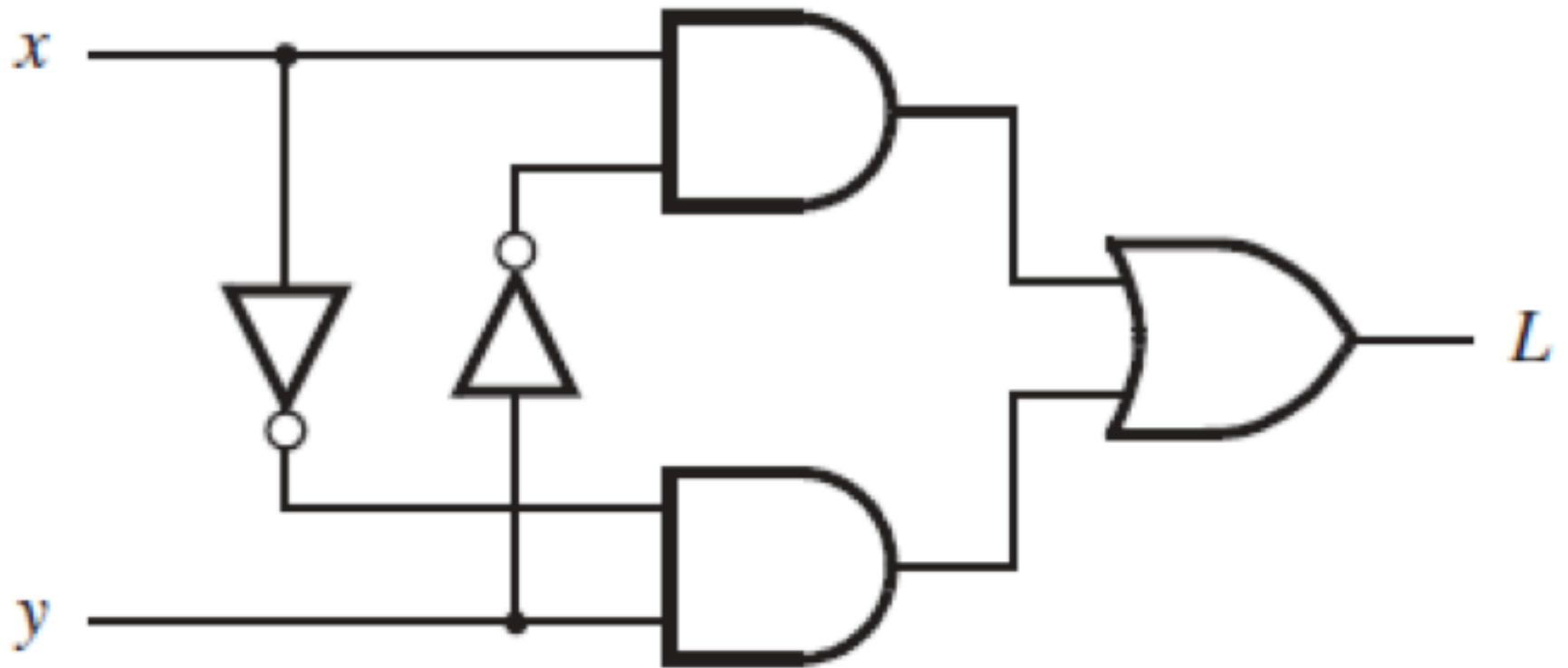
XOR Analysis (x=0, y=0)



XOR Analysis (x=0, y=0)

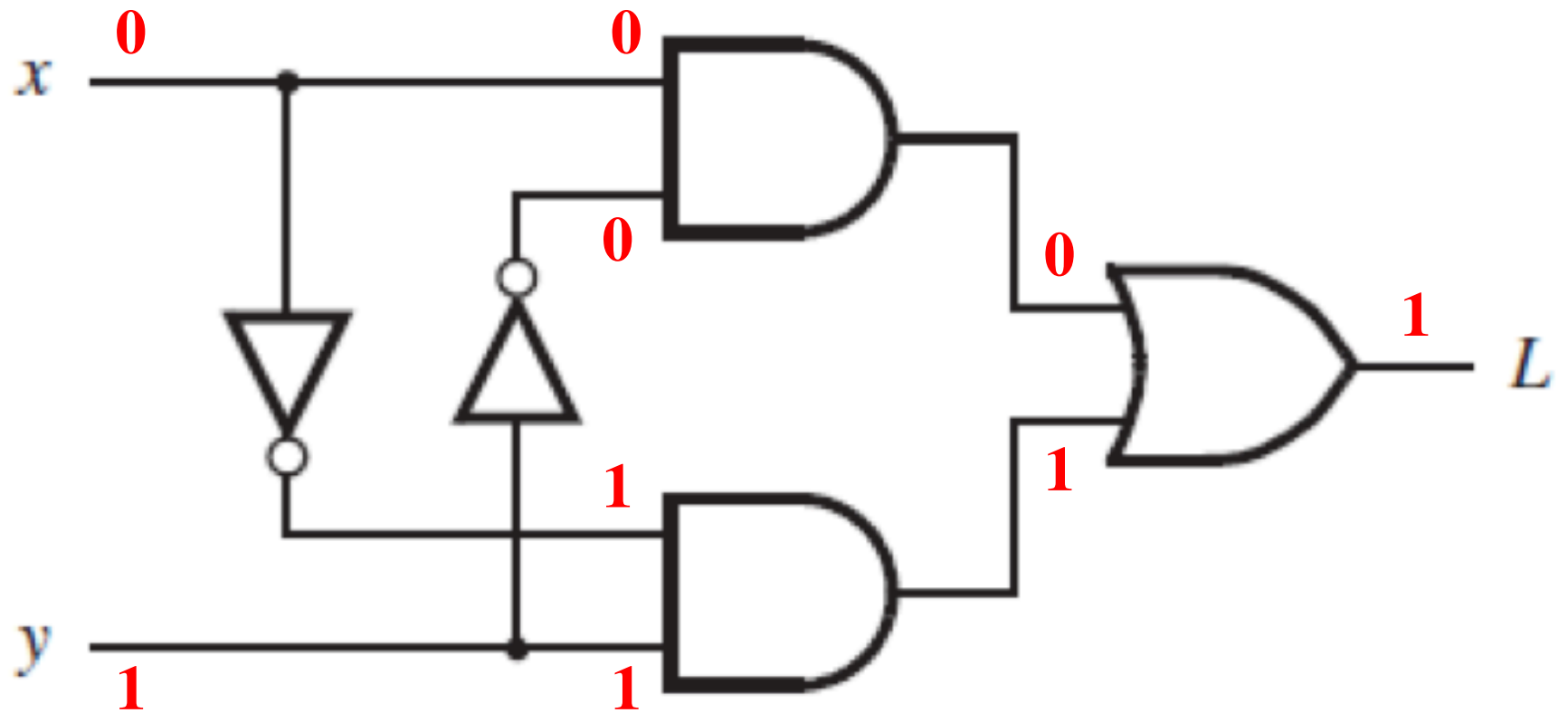


XOR Analysis

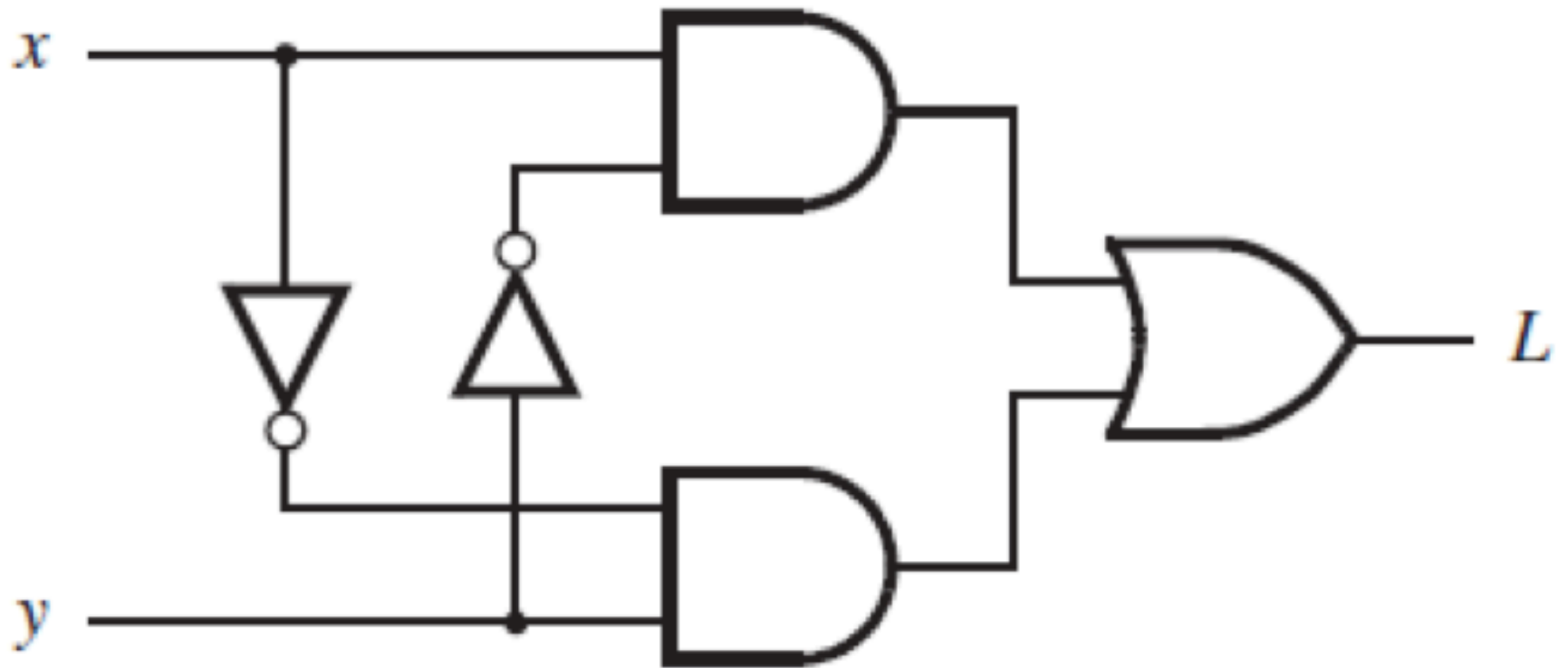


[Figure 2.11c from the textbook]

XOR Analysis (x=0, y=1)

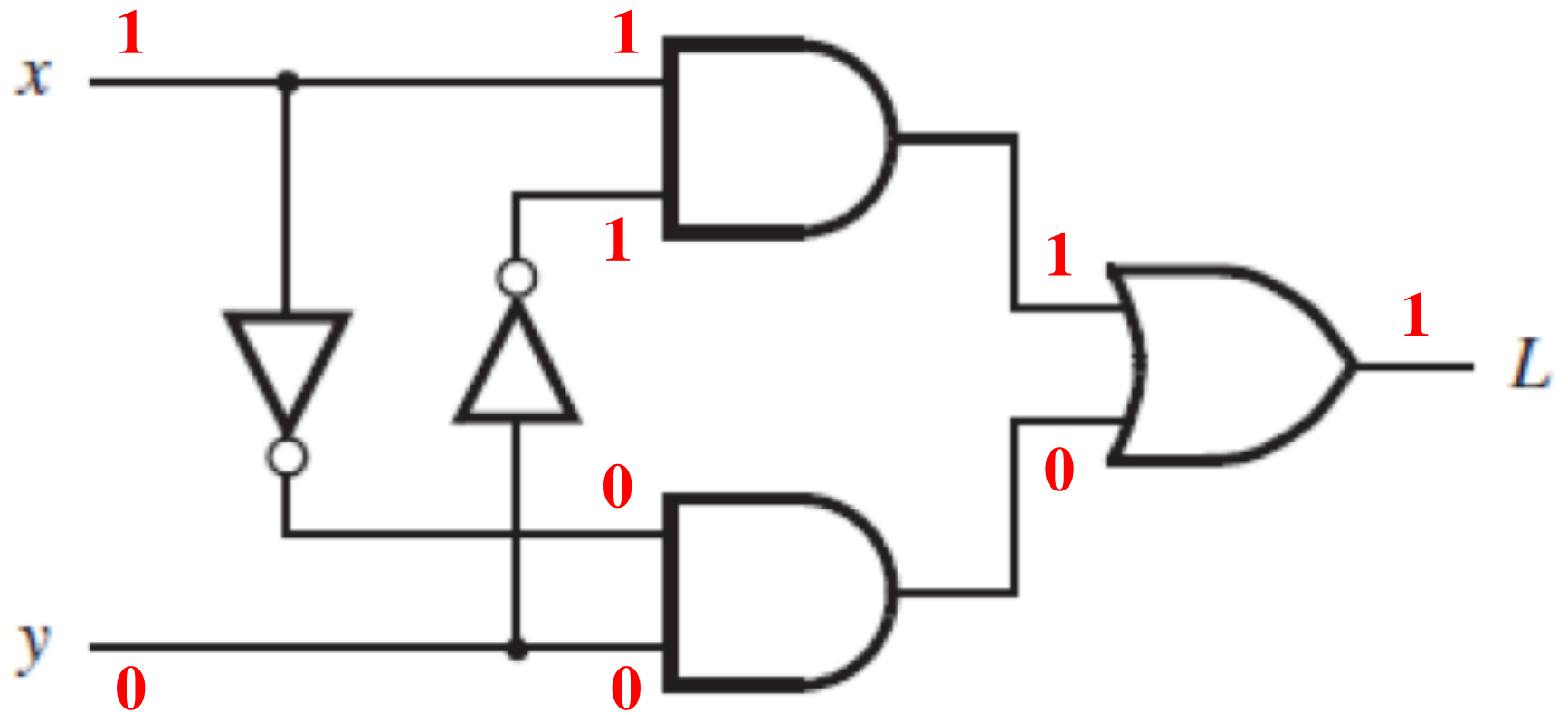


XOR Analysis

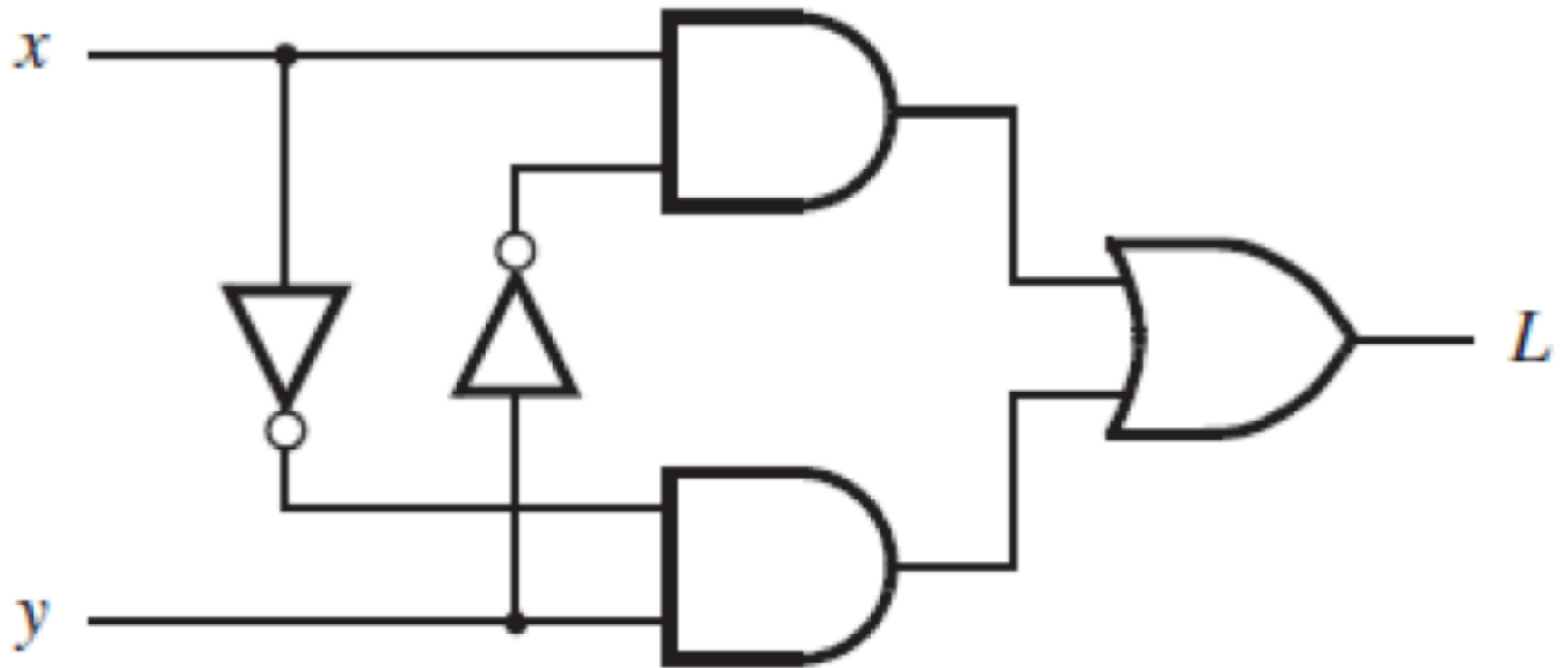


[Figure 2.11c from the textbook]

XOR Analysis (x=1, y=0)

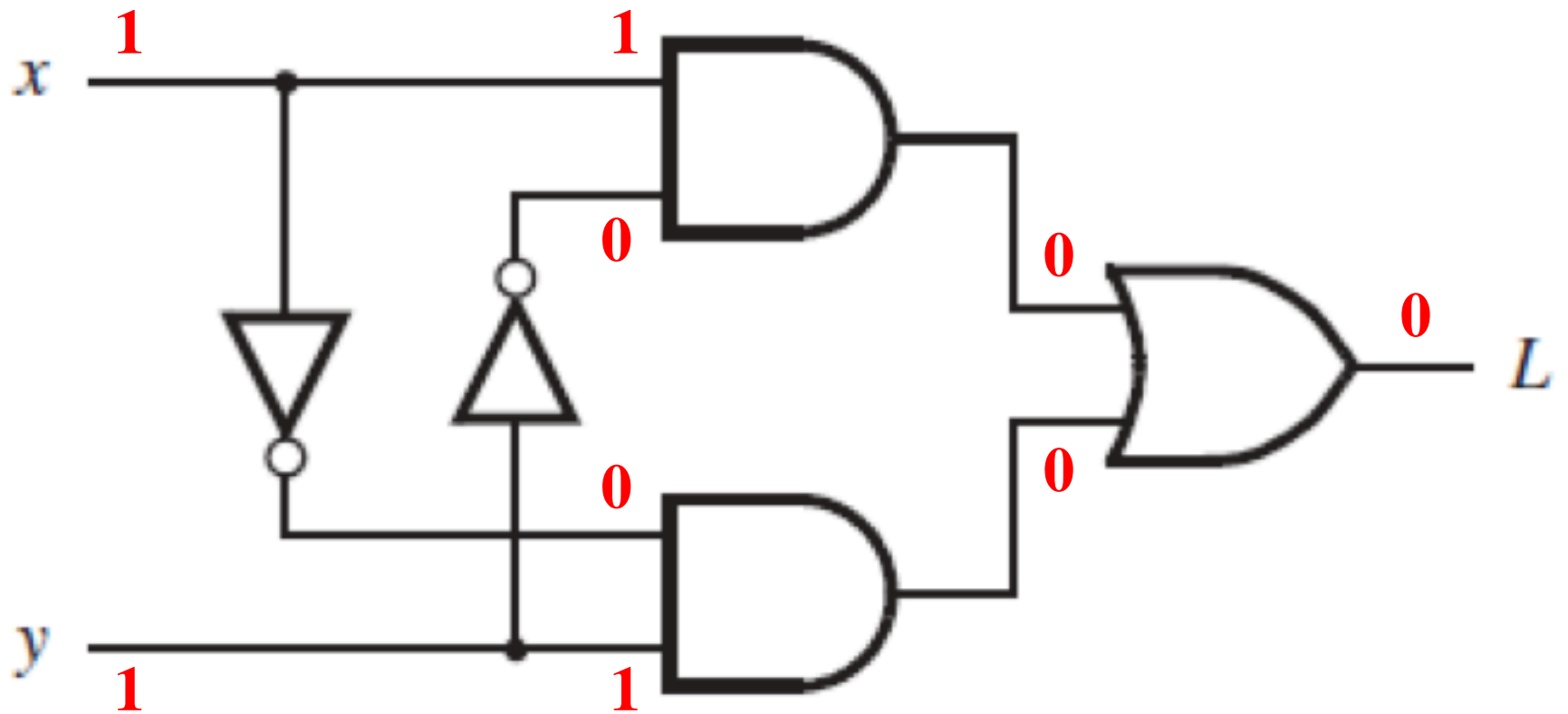


XOR Analysis



[Figure 2.11c from the textbook]

XOR Analysis (x=1, y=1)



Truth Table for XOR



x	y	L
0	0	0
0	1	1
1	0	1
1	1	0

Truth Table for XOR



x	y	L
0	0	0
0	1	1
1	0	1
1	1	0

The output is 1 only if both inputs are different.

Addition of Binary Numbers

a	0	0	1	1
$+ b$	$+ 0$	$+ 1$	$+ 0$	$+ 1$
<hr/>	<hr/>	<hr/>	<hr/>	<hr/>
$s_1 s_0$	0 0	0 1	0 1	1 0

Addition of Binary Numbers

$$\begin{array}{r} a \\ + b \\ \hline s_1 s_0 \end{array} \quad \begin{array}{r} 0 \\ + 0 \\ \hline 0 0 \end{array} \quad \begin{array}{r} 0 \\ + 1 \\ \hline 0 1 \end{array} \quad \begin{array}{r} 1 \\ + 0 \\ \hline 0 1 \end{array} \quad \begin{array}{r} 1 \\ + 1 \\ \hline 1 0 \end{array}$$

<i>a</i>	<i>b</i>	<i>s</i> ₁	<i>s</i> ₀
0	0	0	0
0	1	0	1
1	0	0	1
1	1	1	0

Addition of Binary Numbers

<i>a</i>	0	0	1	1
<u>+ <i>b</i></u>	<u>+ 0</u>	<u>+ 1</u>	<u>+ 0</u>	<u>+ 1</u>
<i>s</i> ₁ <i>s</i> ₀	0 0	0 1	0 1	1 0

<i>a</i>	<i>b</i>	<i>s</i> ₁	<i>s</i> ₀
0	0	0	0
0	1	0	1
1	0	0	1
1	1	1	0

Addition of Binary Numbers

a	0	0	1	1
$+b$	$+0$	$+1$	$+0$	$+1$
\hline	\hline	\hline	\hline	\hline
$s_1 s_0$	0 0	0 1	0 1	1 0

a	b	s_1	s_0
0	0	0	0
0	1	0	1
1	0	0	1
1	1	1	0

Addition of Binary Numbers

$$\begin{array}{r} a \\ + b \\ \hline s_1 s_0 \end{array} \quad \begin{array}{r} 0 \\ + 0 \\ \hline 0 0 \end{array} \quad \begin{array}{r} 0 \\ + 1 \\ \hline 0 1 \end{array} \quad \begin{array}{r} 1 \\ + 0 \\ \hline 0 1 \end{array} \quad \begin{array}{r} 1 \\ + 1 \\ \hline 1 0 \end{array}$$

<i>a</i>	<i>b</i>	<i>s</i> ₁	<i>s</i> ₀
0	0	0	0
0	1	0	1
1	0	0	1
1	1	1	0

Addition of Binary Numbers

<i>a</i>	0	0	1	1
<u>+ <i>b</i></u>	<u>+ 0</u>	<u>+ 1</u>	<u>+ 0</u>	<u>+ 1</u>
<i>s</i> ₁ <i>s</i> ₀	0 0	0 1	0 1	1 0

<i>a</i>	<i>b</i>	<i>s</i> ₁	<i>s</i> ₀
0	0	0	0
0	1	0	1
1	0	0	1
1	1	1	0

Addition of Binary Numbers

a	0	0	1	1
$+b$	$+0$	$+1$	$+0$	$+1$
$s_1 s_0$	0 0	0 1	0 1	1 0

a	b	s_1	s_0
0	0	0	0
0	1	0	1
1	0	0	1
1	1	1	0

Addition of Binary Numbers

$$\begin{array}{r} a \\ + b \\ \hline s_1 s_0 \end{array} \quad \begin{array}{r} 0 \\ + 0 \\ \hline 0 0 \end{array} \quad \begin{array}{r} 0 \\ + 1 \\ \hline 0 1 \end{array} \quad \begin{array}{r} 1 \\ + 0 \\ \hline 0 1 \end{array} \quad \begin{array}{r} 1 \\ + 1 \\ \hline 1 0 \end{array}$$

<i>a</i>	<i>b</i>	<i>s</i> ₁	<i>s</i> ₀
0	0	0	0
0	1	0	1
1	0	0	1
1	1	1	0

Addition of Binary Numbers

$$\begin{array}{r} a \\ + b \\ \hline s_1 s_0 \end{array} \quad \begin{array}{r} 0 \\ + 0 \\ \hline 0 \ 0 \end{array} \quad \begin{array}{r} 0 \\ + 1 \\ \hline 0 \ 1 \end{array} \quad \begin{array}{r} 1 \\ + 0 \\ \hline 0 \ 1 \end{array} \quad \begin{array}{r} 1 \\ + 1 \\ \hline 1 \ 0 \end{array}$$

a	b	s_1	s_0
0	0	0	0
0	1	0	1
1	0	0	1
1	1	1	0

Addition of Binary Numbers

$$\begin{array}{r} a \\ + b \\ \hline s_1 s_0 \end{array} \quad \begin{array}{r} 0 \\ + 0 \\ \hline 0 \ 0 \end{array} \quad \begin{array}{r} 0 \\ + 1 \\ \hline 0 \ 1 \end{array} \quad \begin{array}{r} 1 \\ + 0 \\ \hline 0 \ 1 \end{array} \quad \begin{array}{r} 1 \\ + 1 \\ \hline 1 \ 0 \end{array}$$

<i>a</i>	<i>b</i>	<i>s</i> ₁	<i>s</i> ₀
0	0	0	0
0	1	0	1
1	0	0	1
1	1	1	0

Addition of Binary Numbers

$$\begin{array}{r} a \\ + b \\ \hline s_1 s_0 \end{array} \quad \begin{array}{r} 0 \\ + 0 \\ \hline 0 0 \end{array} \quad \begin{array}{r} 0 \\ + 1 \\ \hline 0 1 \end{array} \quad \begin{array}{r} 1 \\ + 0 \\ \hline 0 1 \end{array} \quad \begin{array}{r} 1 \\ + 1 \\ \hline 1 0 \end{array}$$

<i>a</i>	<i>b</i>	<i>s</i> ₁	<i>s</i> ₀
0	0	0	0
0	1	0	1
1	0	0	1
1	1	1	0

Addition of Binary Numbers

$$\begin{array}{r} a \\ + b \\ \hline s_1 \boxed{s_0} \end{array} \quad \begin{array}{r} 0 \\ + 0 \\ \hline 0 \boxed{0} \end{array} \quad \begin{array}{r} 0 \\ + 1 \\ \hline 0 \boxed{1} \end{array} \quad \begin{array}{r} 1 \\ + 0 \\ \hline 0 \boxed{1} \end{array} \quad \begin{array}{r} 1 \\ + 1 \\ \hline 1 \boxed{0} \end{array}$$

<i>a</i>	<i>b</i>	<i>s</i> ₁	<i>s</i> ₀
0	0	0	0
0	1	0	1
1	0	0	1
1	1	1	0

Addition of Binary Numbers

$$\begin{array}{r} a \\ + b \\ \hline s_1 \boxed{s_0} \end{array} \qquad \begin{array}{r} 0 \\ + 0 \\ \hline 0 \boxed{0} \end{array} \qquad \begin{array}{r} 0 \\ + 1 \\ \hline 0 \boxed{1} \end{array} \qquad \begin{array}{r} 1 \\ + 0 \\ \hline 0 \boxed{1} \end{array} \qquad \begin{array}{r} 1 \\ + 1 \\ \hline 1 \boxed{0} \end{array}$$

<i>a</i>	<i>b</i>	<i>s</i> ₁	<i>s</i> ₀
0	0	0	0
0	1	0	1
1	0	0	1
1	1	1	0

Addition of Binary Numbers

$$\begin{array}{r} a \\ + b \\ \hline s_1 s_0 \end{array} \quad \begin{array}{r} 0 \\ + 0 \\ \hline 0 0 \end{array} \quad \begin{array}{r} 0 \\ + 1 \\ \hline 0 1 \end{array} \quad \begin{array}{r} 1 \\ + 0 \\ \hline 0 1 \end{array} \quad \begin{array}{r} 1 \\ + 1 \\ \hline 1 0 \end{array}$$

<i>a</i>	<i>b</i>	<i>s</i> ₁	<i>s</i> ₀
0	0	0	0
0	1	0	1
1	0	0	1
1	1	1	0

Addition of Binary Numbers

<i>a</i>	<i>b</i>	<i>s</i> ₁	<i>s</i> ₀
0	0	0	0
0	1	0	1
1	0	0	1
1	1	1	0

Addition of Binary Numbers

?

<i>a</i>	<i>b</i>		<i>s</i> ₁	<i>s</i> ₀
0	0		0	0
0	1		0	1
1	0		0	1
1	1		1	0

Addition of Binary Numbers

AND

<i>a</i>	<i>b</i>	<i>s</i> ₁	<i>s</i> ₀
0	0	0	0
0	1	0	1
1	0	0	1
1	1	1	0

Addition of Binary Numbers

a	b	s_1	s_0
0	0	0	0
0	1	0	1
1	0	0	1
1	1	1	0

Addition of Binary Numbers

?

<i>a</i>	<i>b</i>	<i>s</i> ₁	<i>s</i> ₀
0	0	0	0
0	1	0	1
1	0	0	1
1	1	1	0

Addition of Binary Numbers

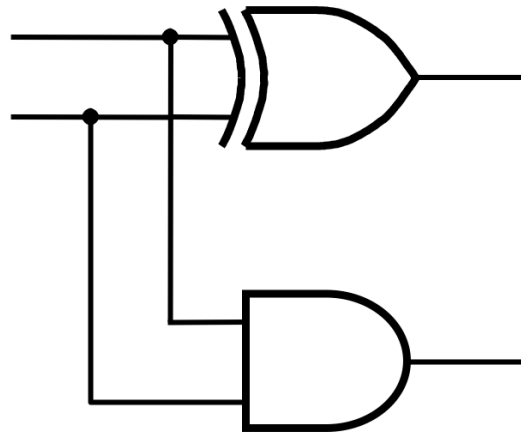
XOR

<i>a</i>	<i>b</i>	<i>s</i> ₁	<i>s</i> ₀
0	0	0	0
0	1	0	1
1	0	0	1
1	1	1	0

Addition of Binary Numbers

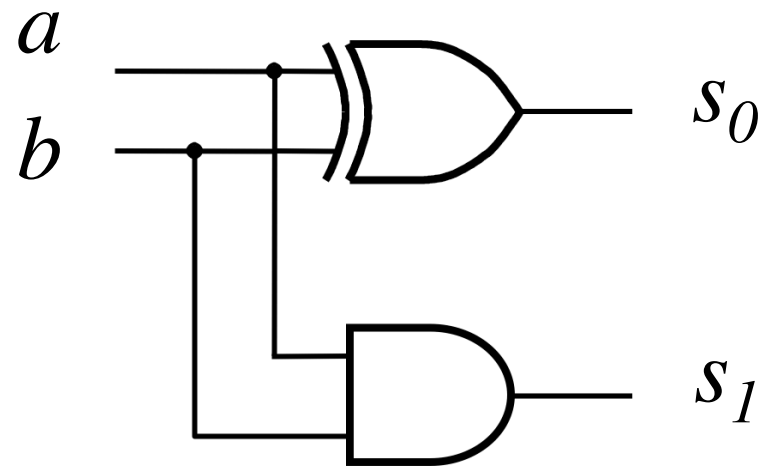
<i>a</i>	<i>b</i>	<i>s</i> ₁	<i>s</i> ₀
0	0	0	0
0	1	0	1
1	0	0	1
1	1	1	0

Addition of Binary Numbers



a	b	s_1	s_0
0	0	0	0
0	1	0	1
1	0	0	1
1	1	1	0

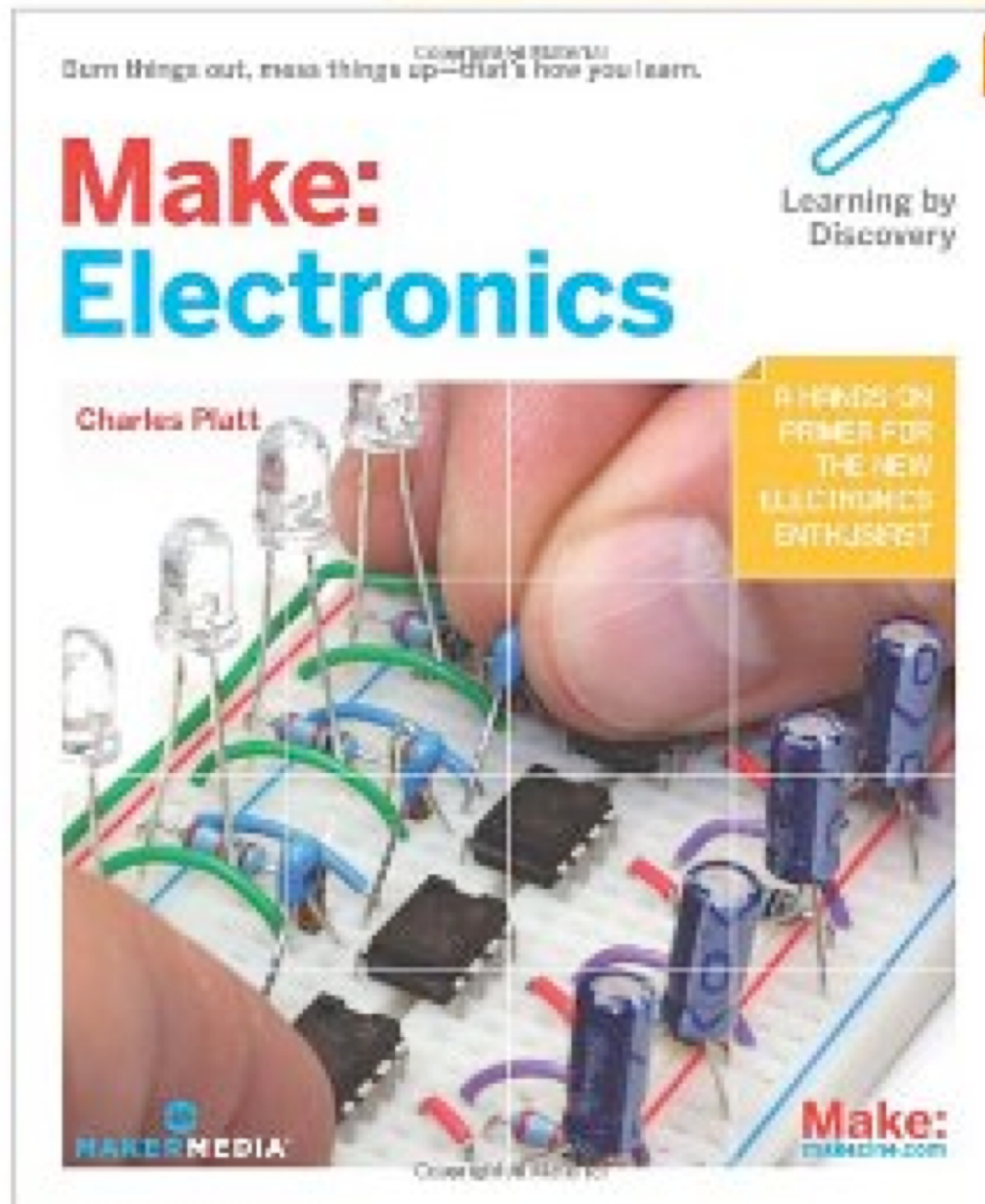
Addition of Binary Numbers

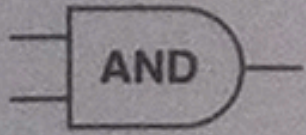


a	b	s_1	s_0
0	0	0	0
0	1	0	1
1	0	0	1
1	1	1	0

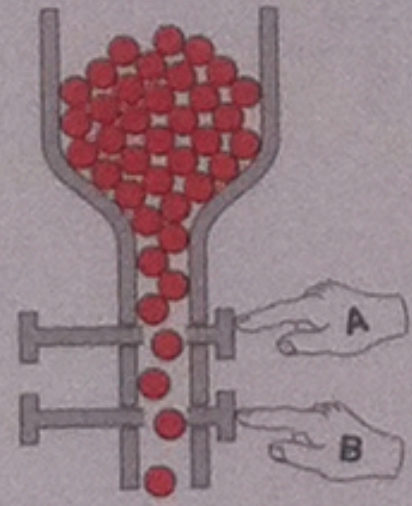
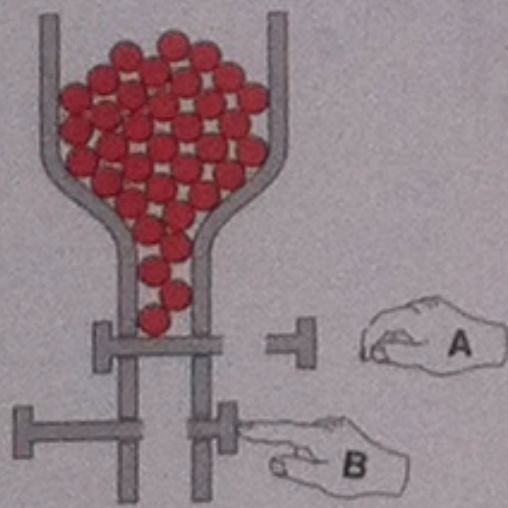
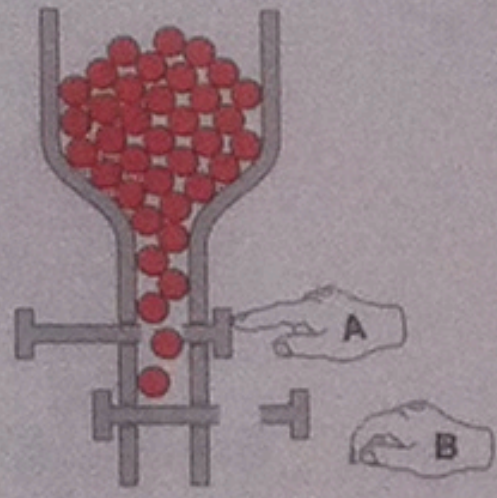
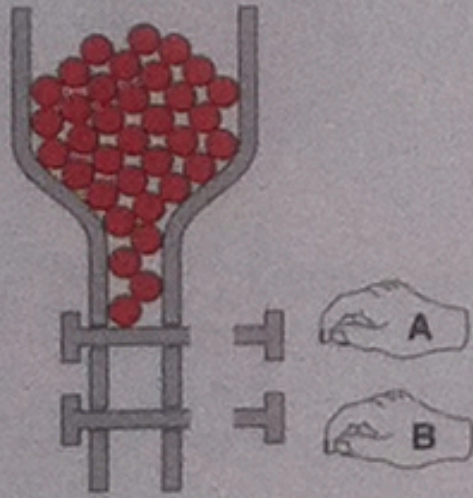
The following examples came from this book

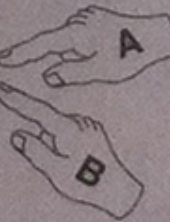
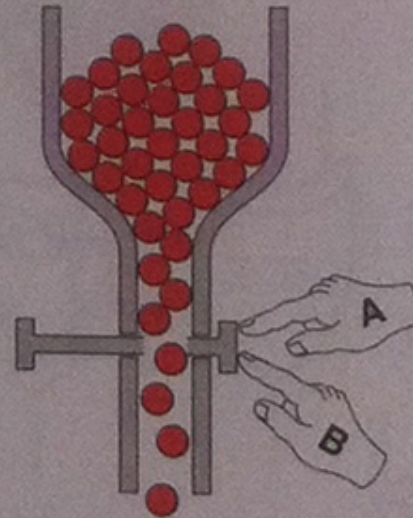
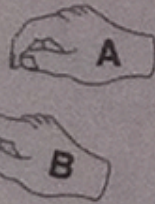
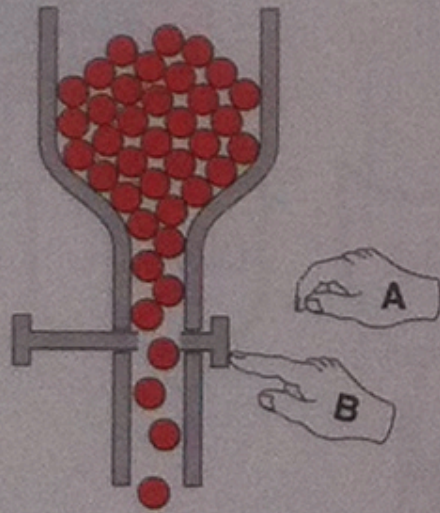
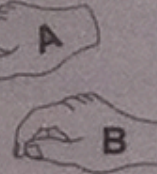
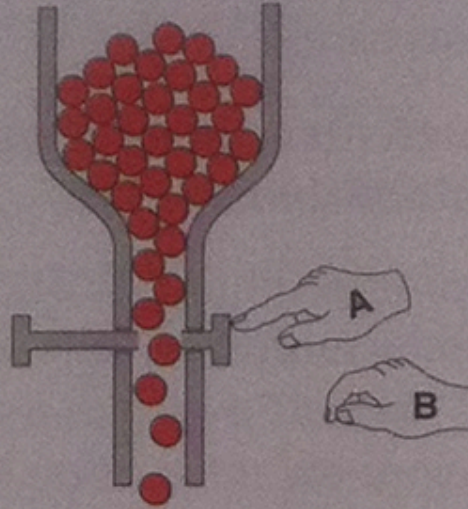
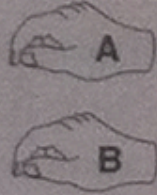
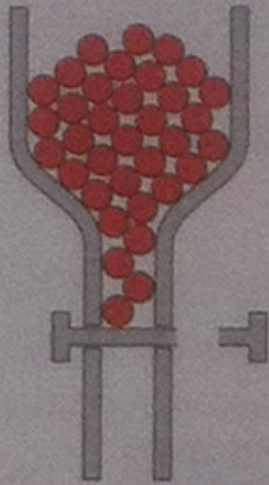
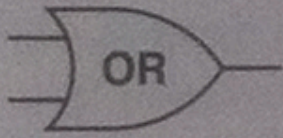
Click to **LOOK INSIDE!**



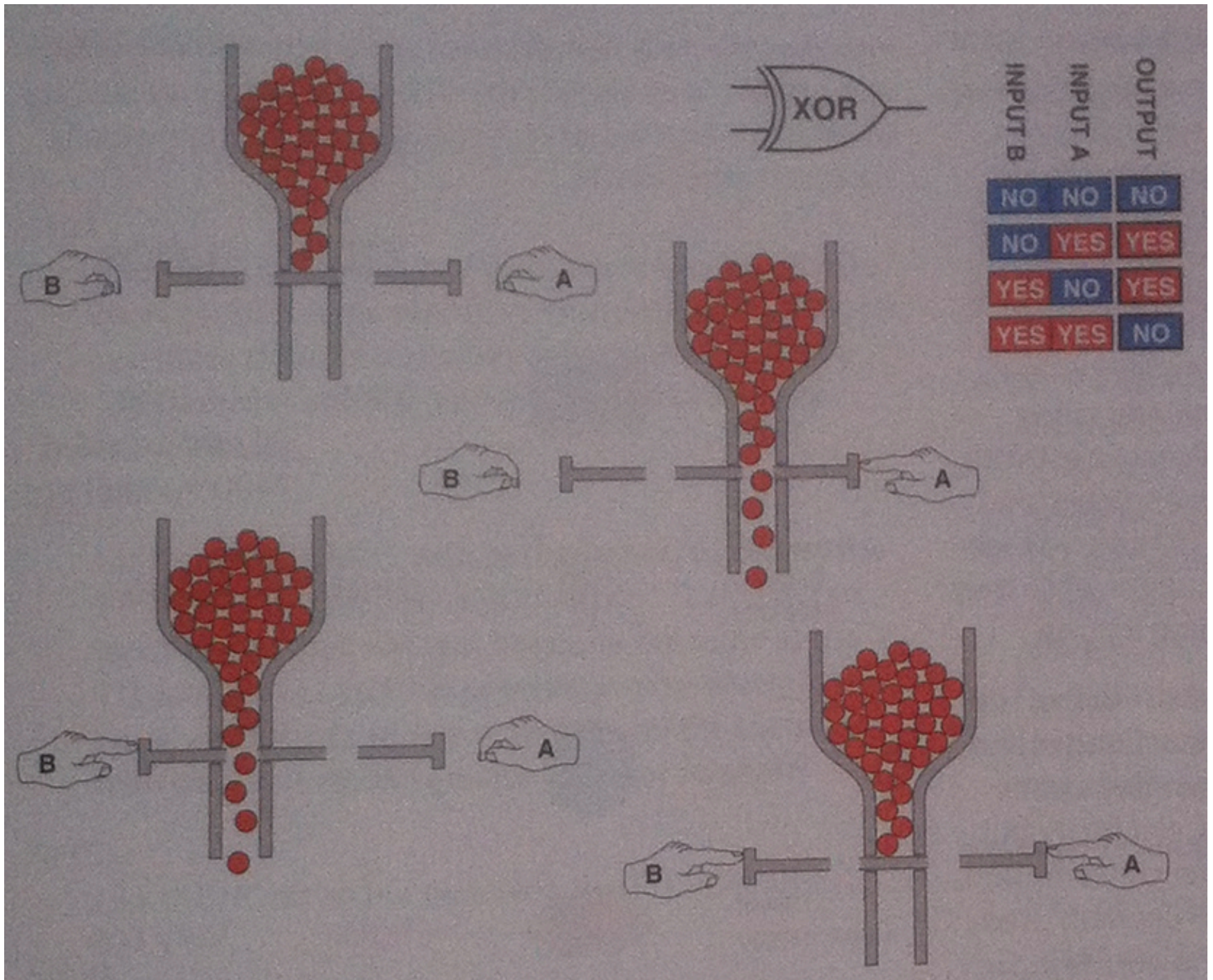


INPUT B	INPUT A	OUTPUT
NO	NO	NO
NO	YES	NO
YES	NO	NO
YES	YES	YES





INPUT B	INPUT A	OUTPUT
NO	NO	NO
NO	YES	YES
YES	NO	YES
YES	YES	YES



Questions?

THE END