



# **CprE 281: Digital Logic**

**Instructor: Alexander Stoytchev**

**<http://www.ece.iastate.edu/~alexs/classes/>**

# **Analysis of Synchronous Sequential Circuits**

*CprE 281: Digital Logic  
Iowa State University, Ames, IA  
Copyright © Alexander Stoytchev*

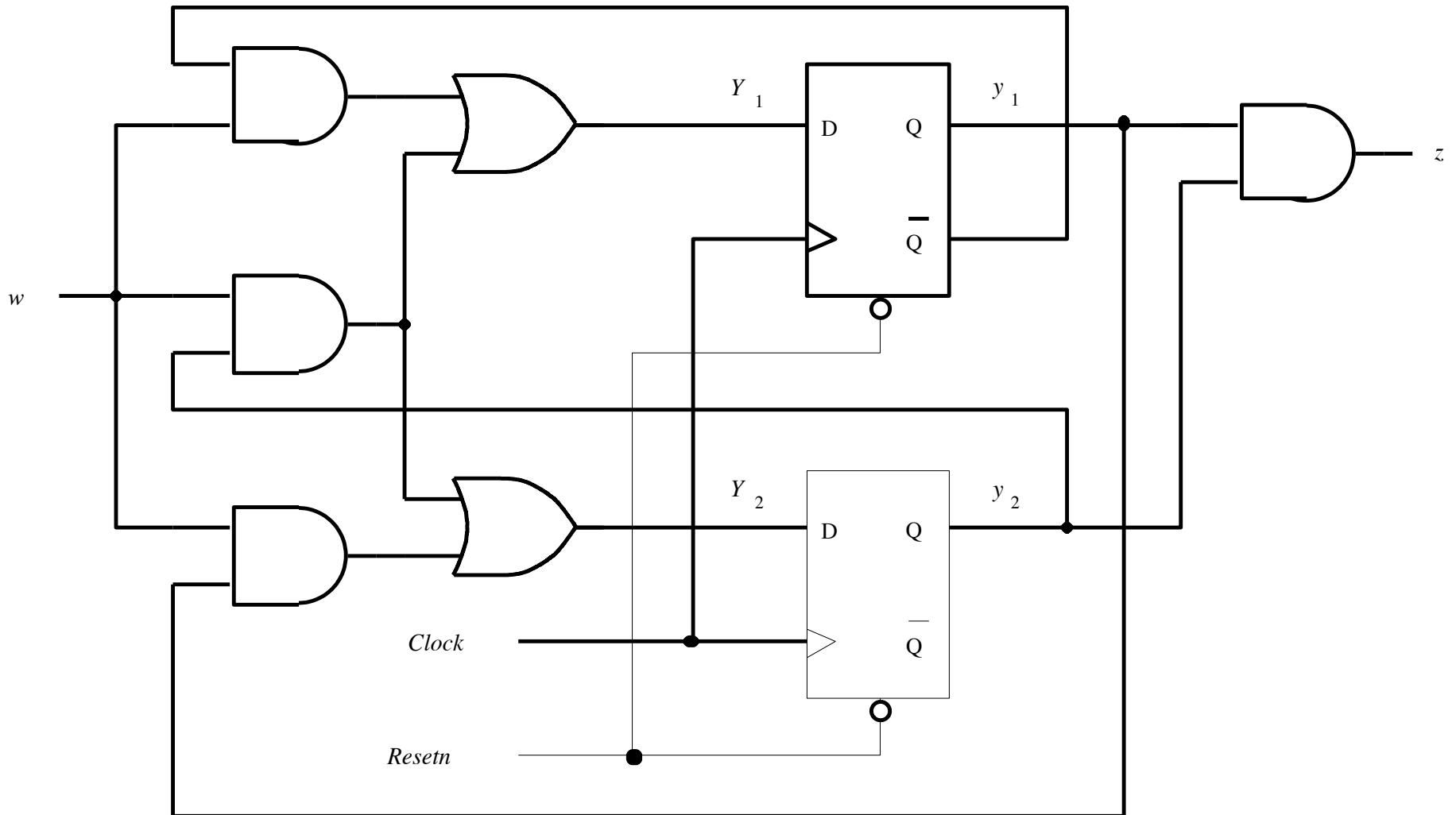
# Administrative Stuff

- **Homework 12 is due on Wednesday Dec 1 @ 4pm**
- **Extra Credit Lab: due on Friday Dec 3 @ midnight.**
- **Final Project: due during your last lab (dead week).**
  - **presentation of your work to your TAs**
  - **final report pdf (upload on canvas)**
  - **zip file with your design (upload on canvas)**

# Goal for Today's Lecture

- **Given a circuit diagram for a synchronous sequential circuit, the goal is to figure out the FSM.**
- **Figure out the present state variables, the next state variables, the state-assigned table, the state table, and finally the state diagram.**
- **In other words, the goal is to reverse engineer the circuit.**

# What does this circuit do?

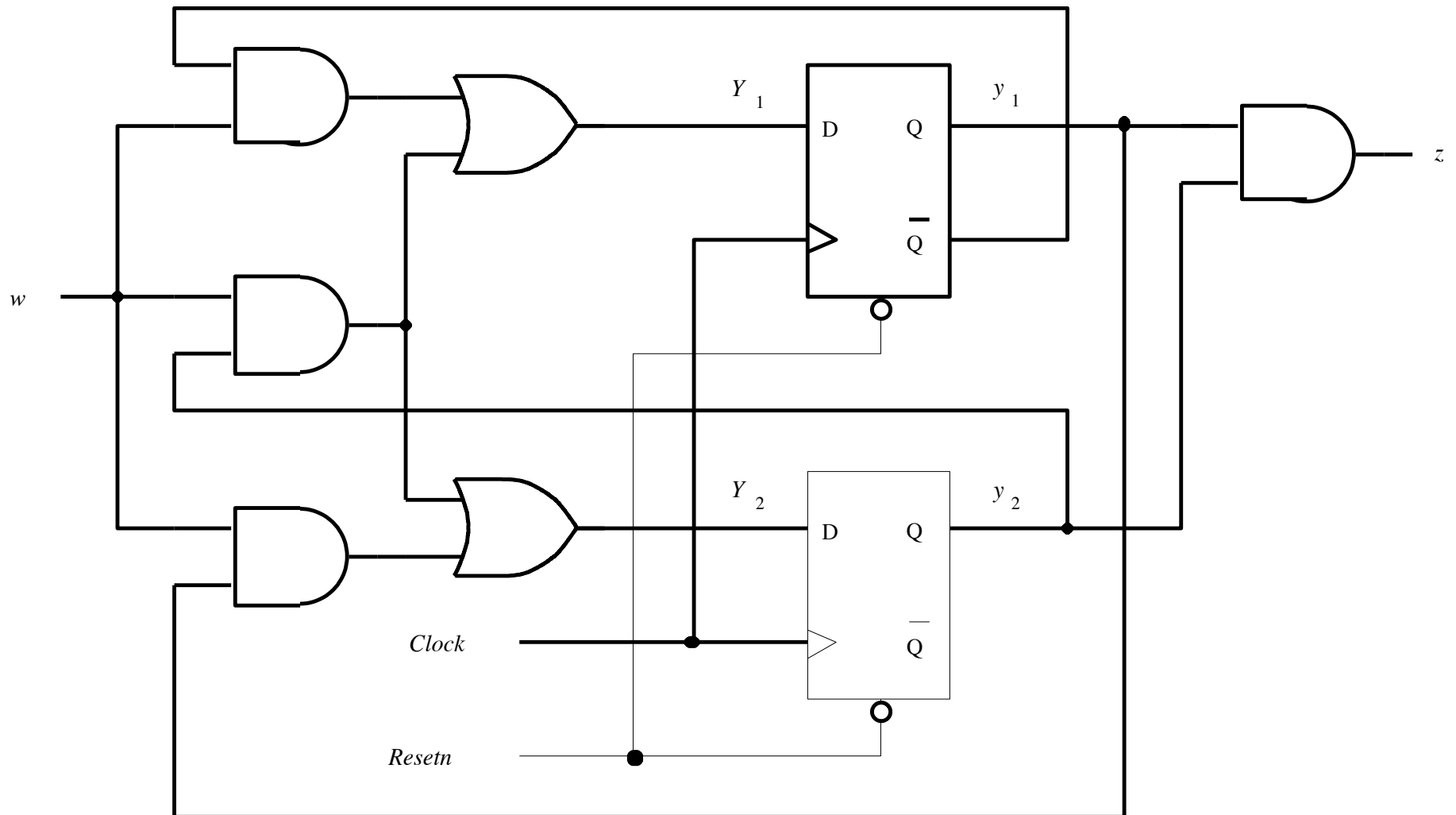


[ Figure 6.75 from the textbook ]

# Approach

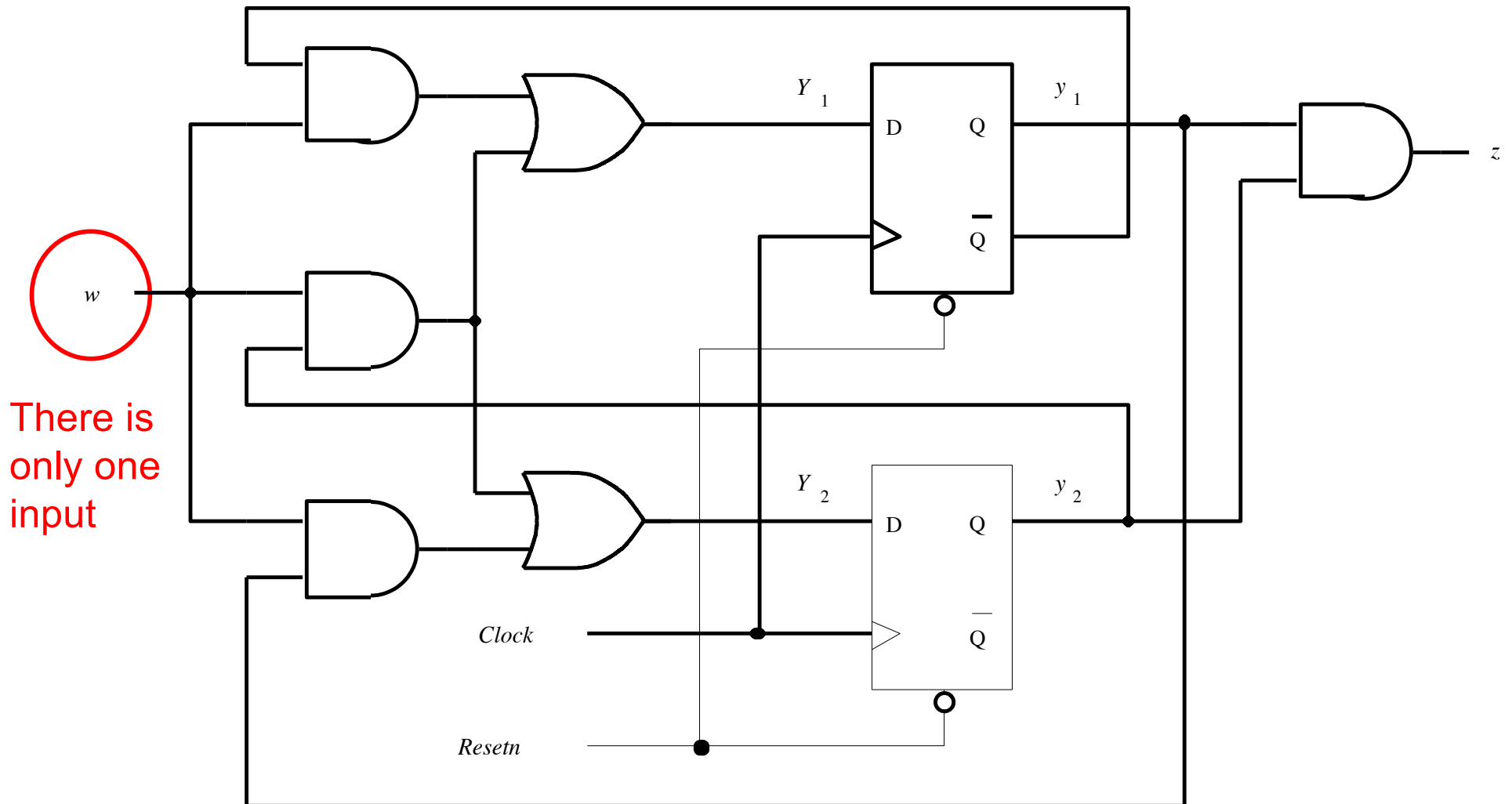
- **Find the flip-flops**
- **Outputs of the flip-flops = present state variables**
- **Inputs of the flip-flops determine the next state variables**
- **Determine the logical expressions for the outputs**
- **Given this info it is easy to do the state-assigned table**
- **Next do the state table**
- **Finally, draw the state diagram.**

# Where are the inputs?



[ Figure 6.75 from the textbook ]

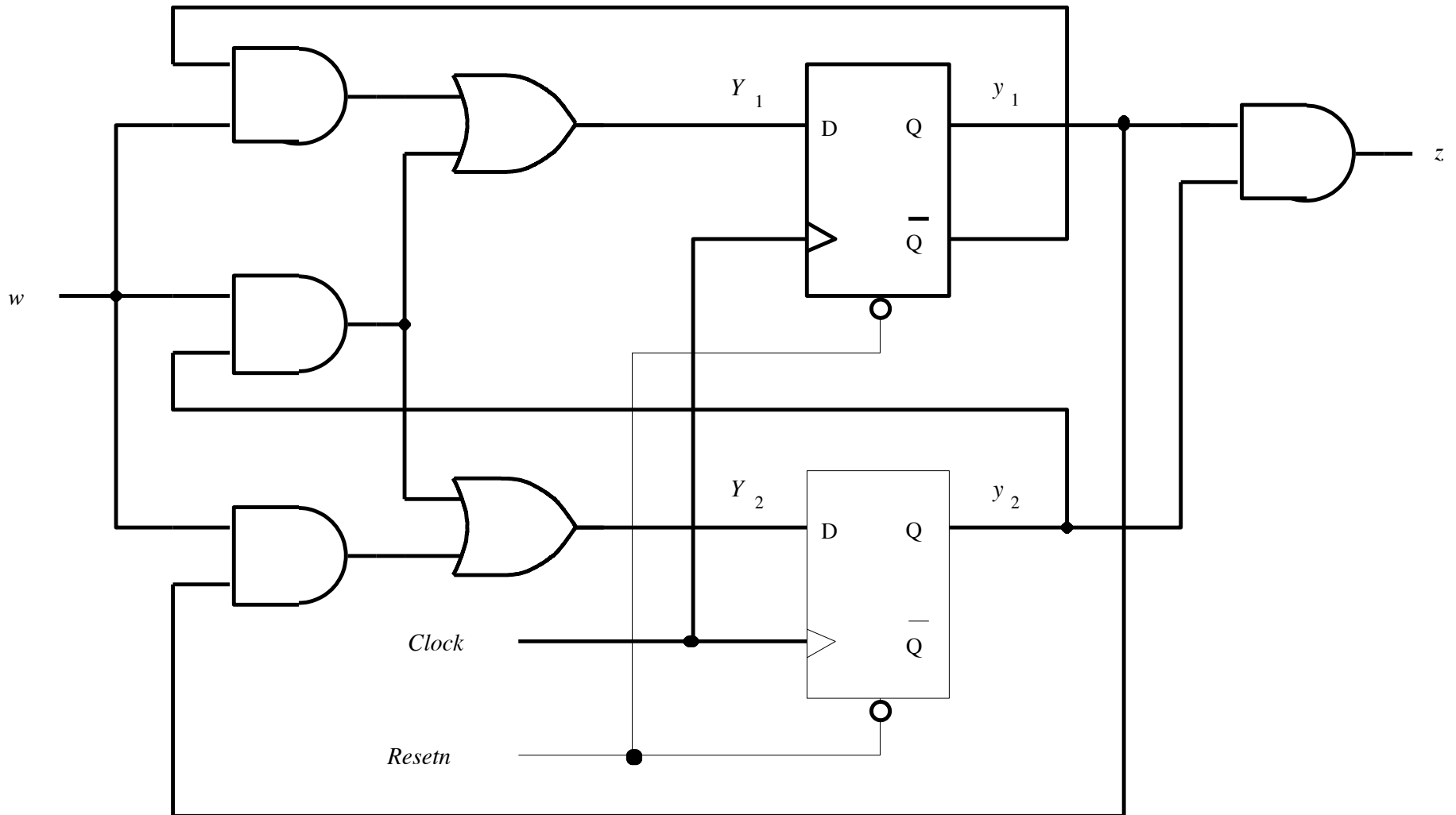
# Where are the inputs?



[ Figure 6.75 from the textbook ]

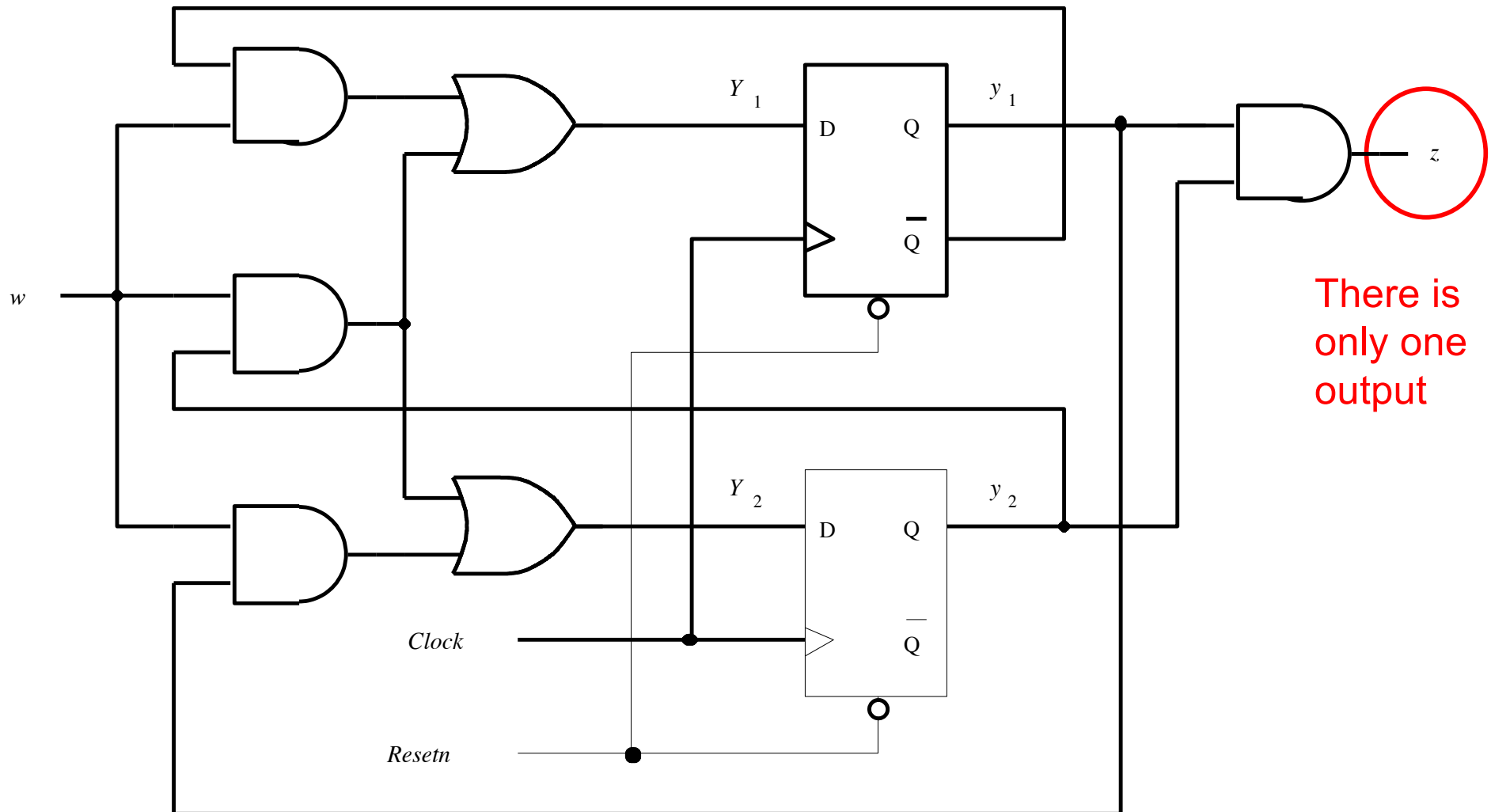


# Where are the outputs?



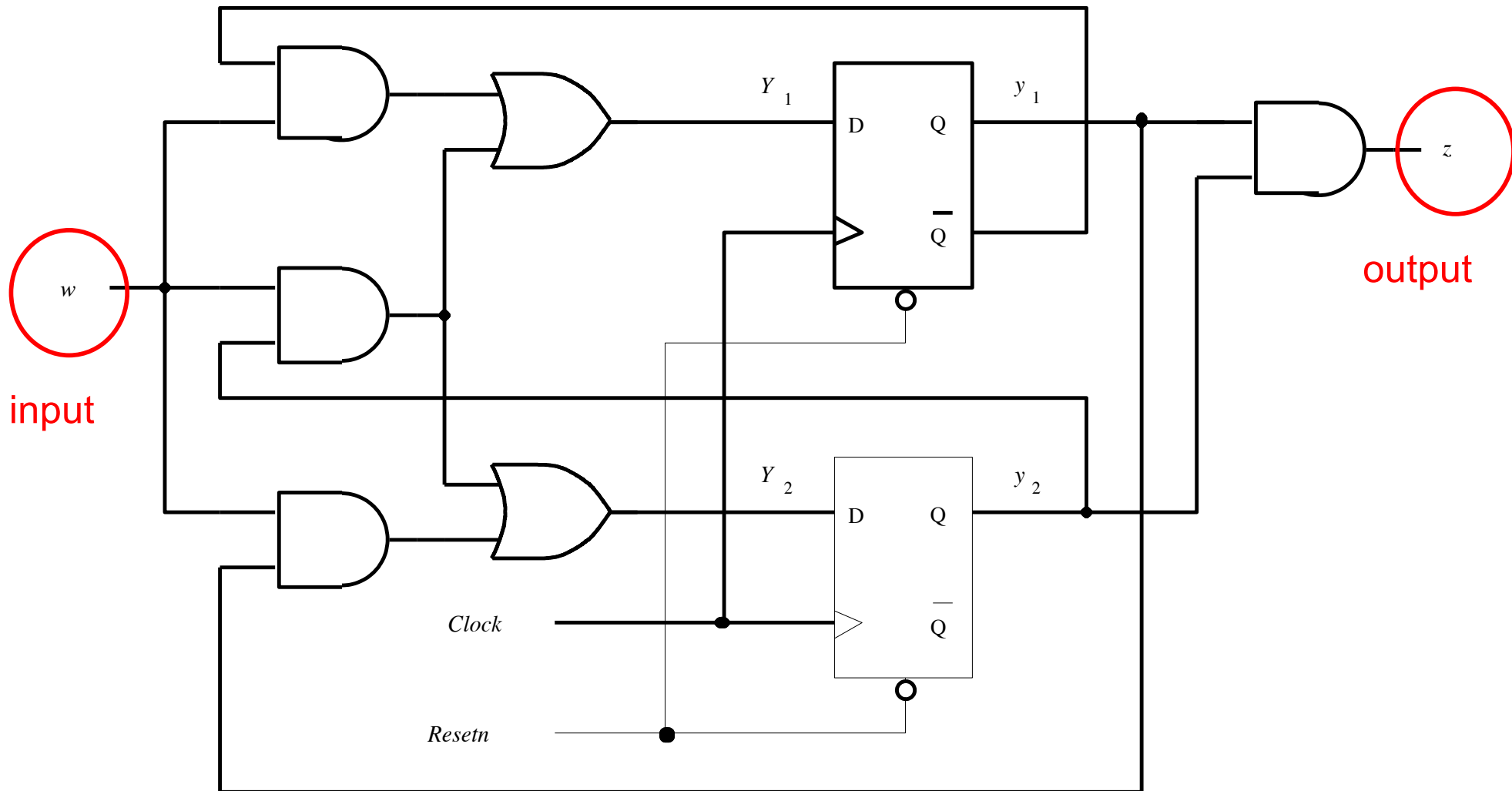
[ Figure 6.75 from the textbook ]

# Where are the outputs?

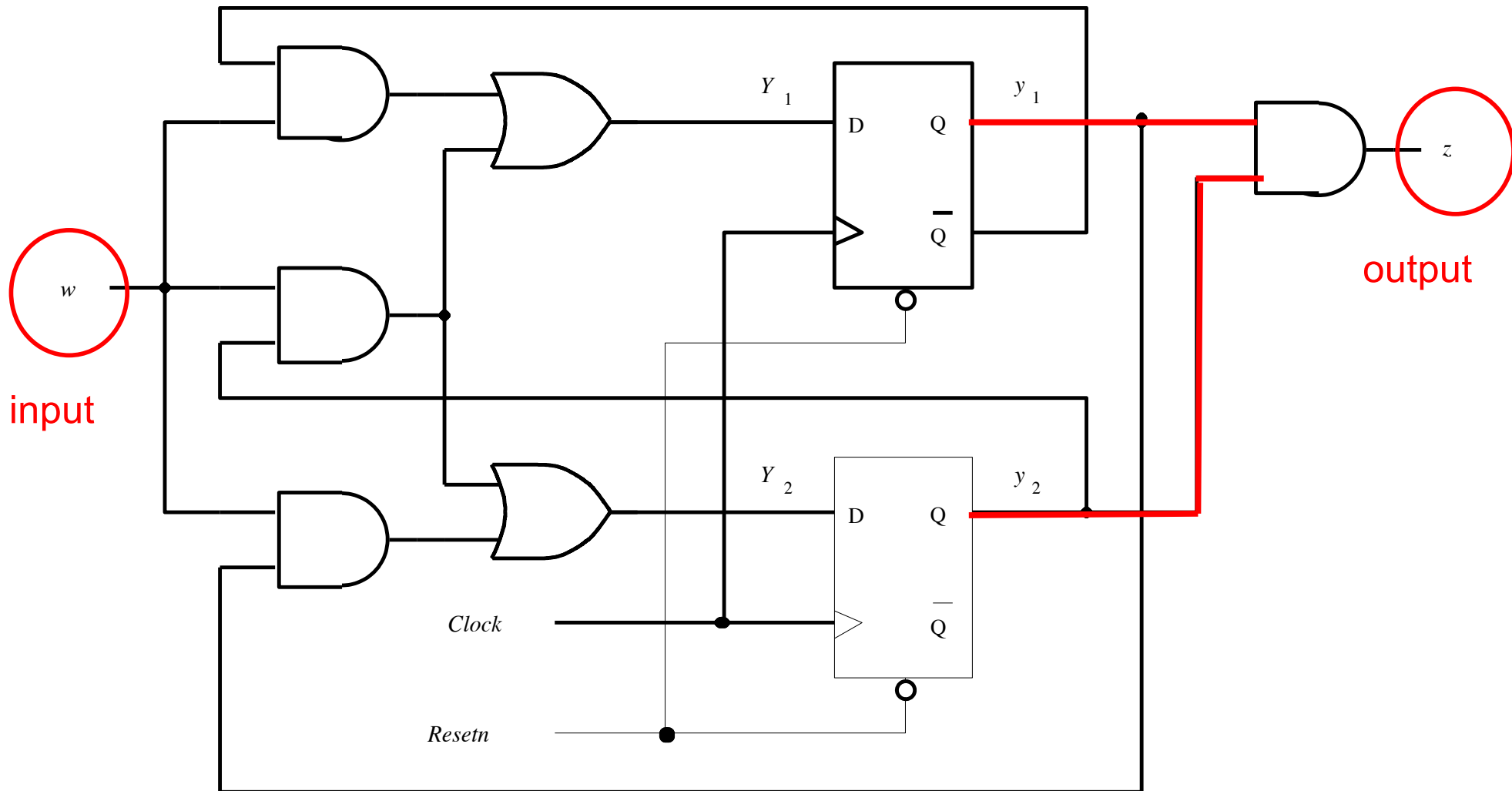


There is only one output

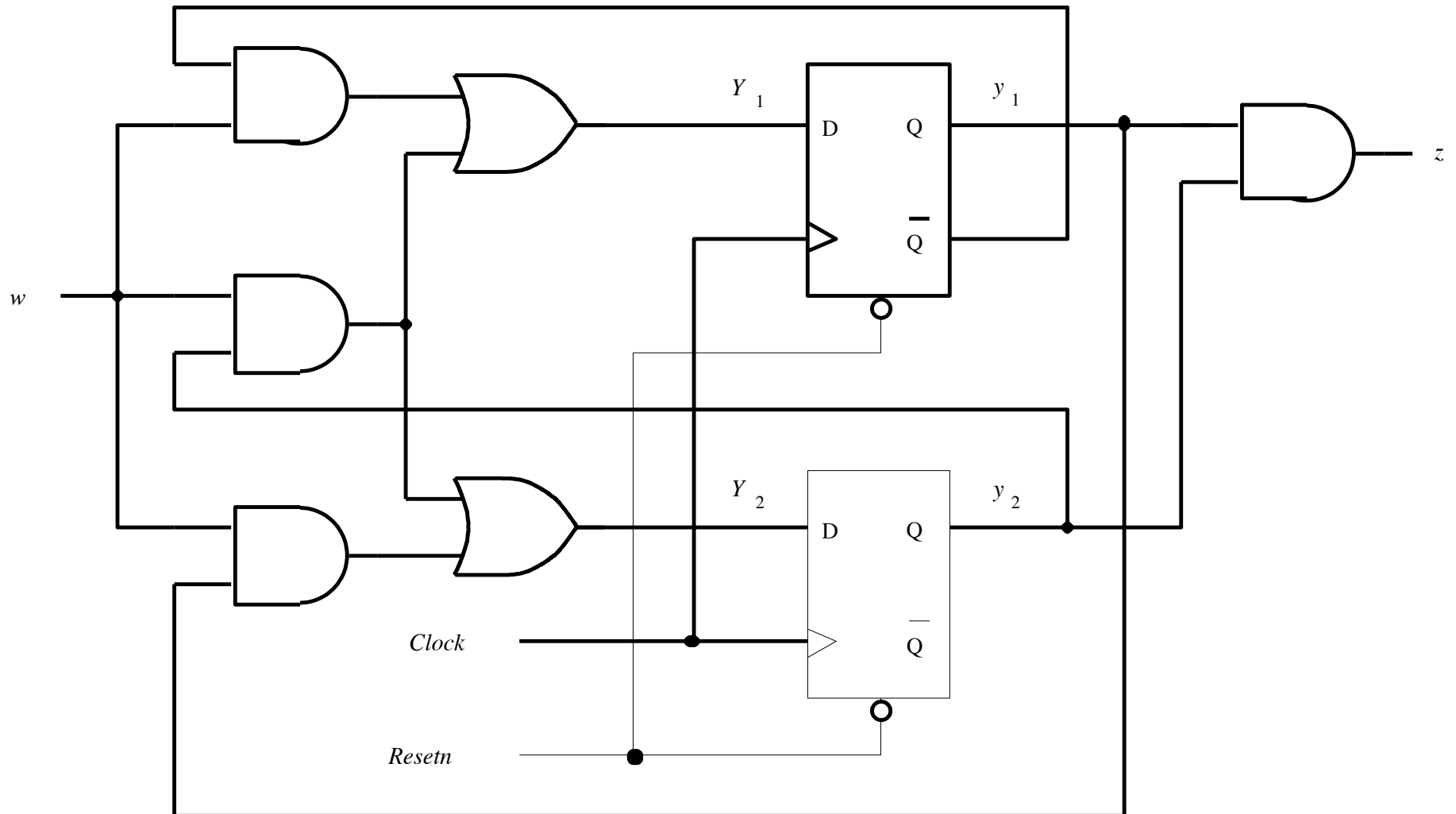
# Where kind of machine is this? Moore or Mealy?



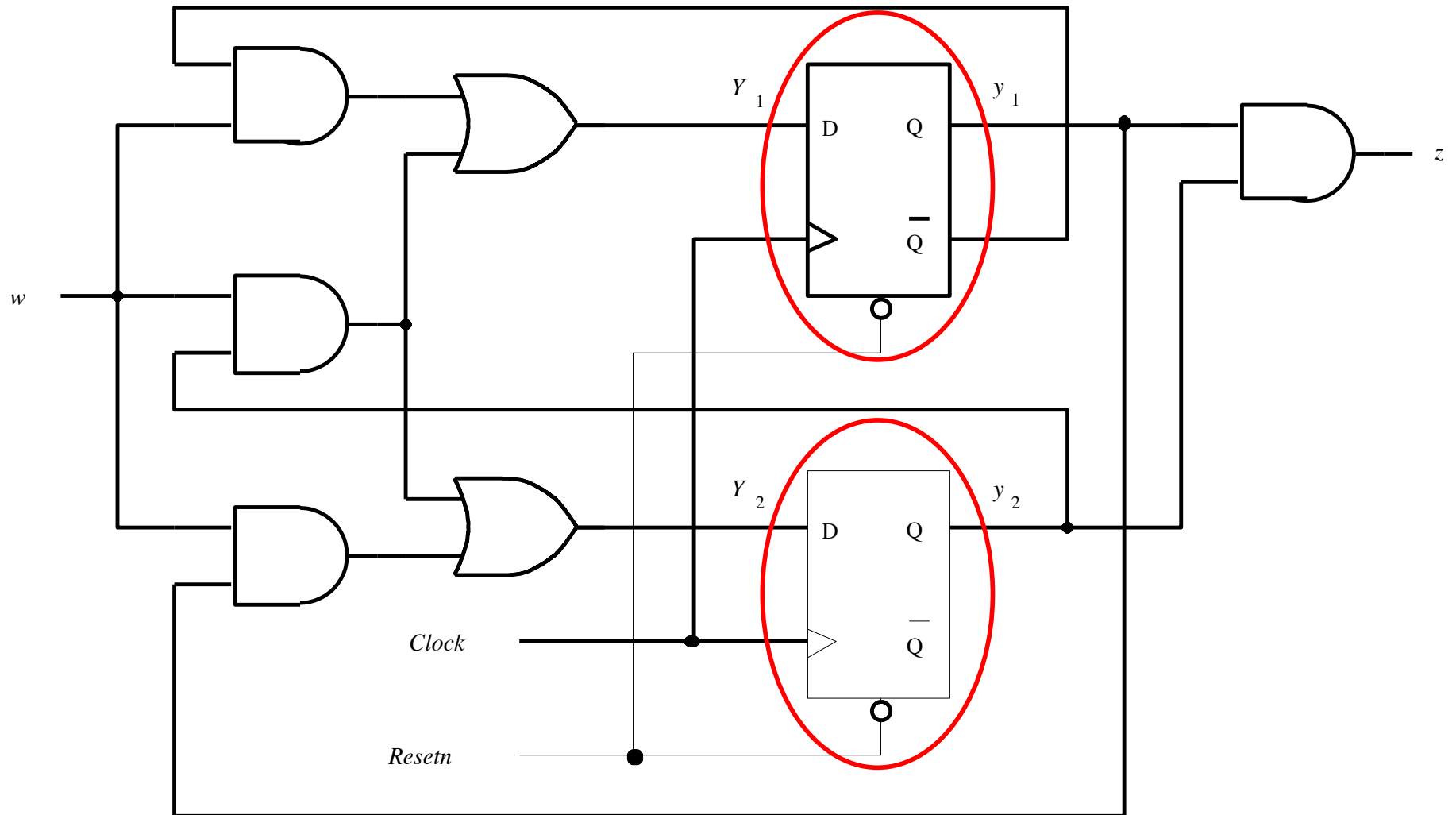
# Moore: because the output does not depend directly on the primary input



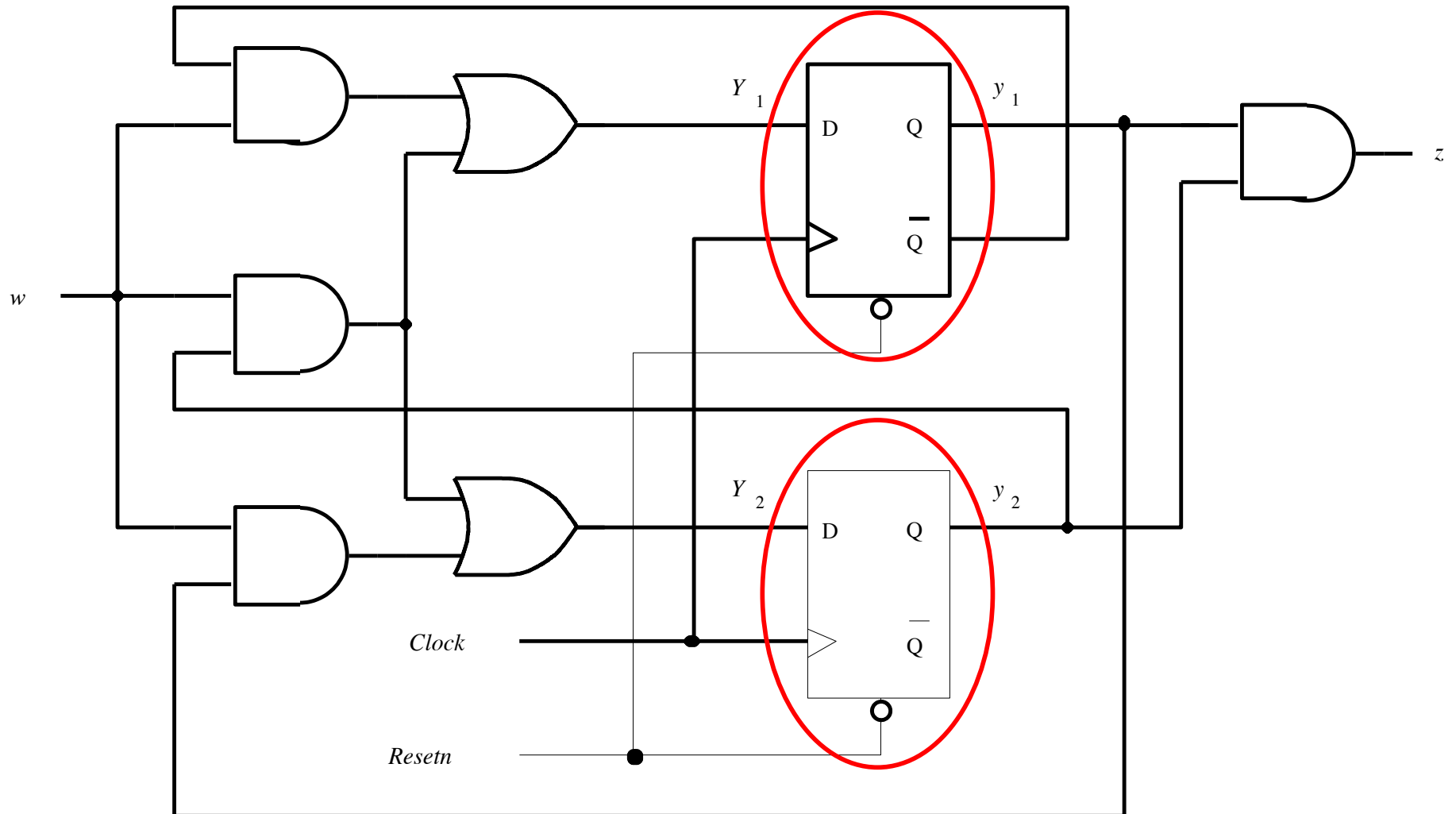
# Where are the memory elements?



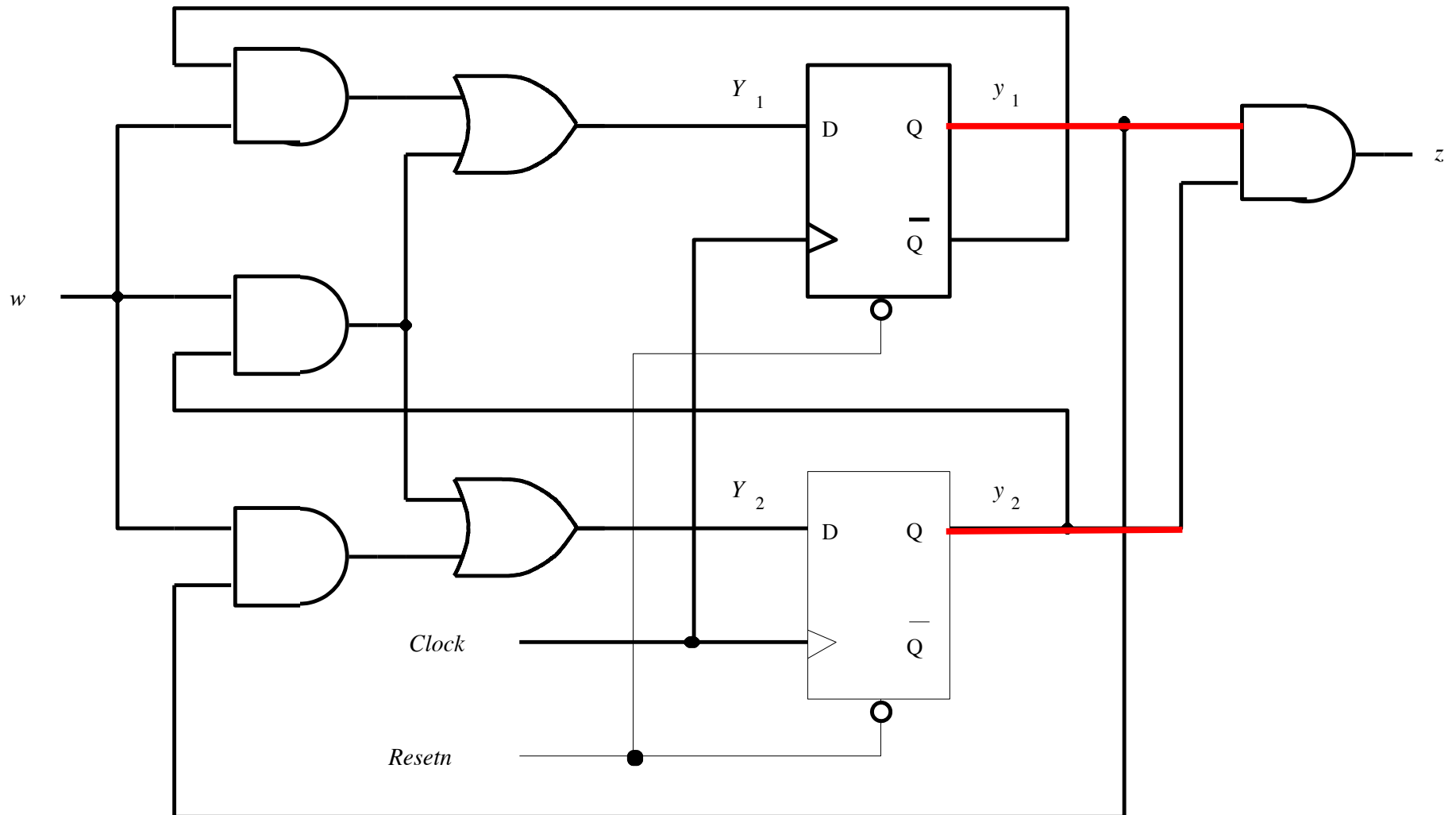
# Where are the memory elements?



# Where are the outputs of the flip-flops?

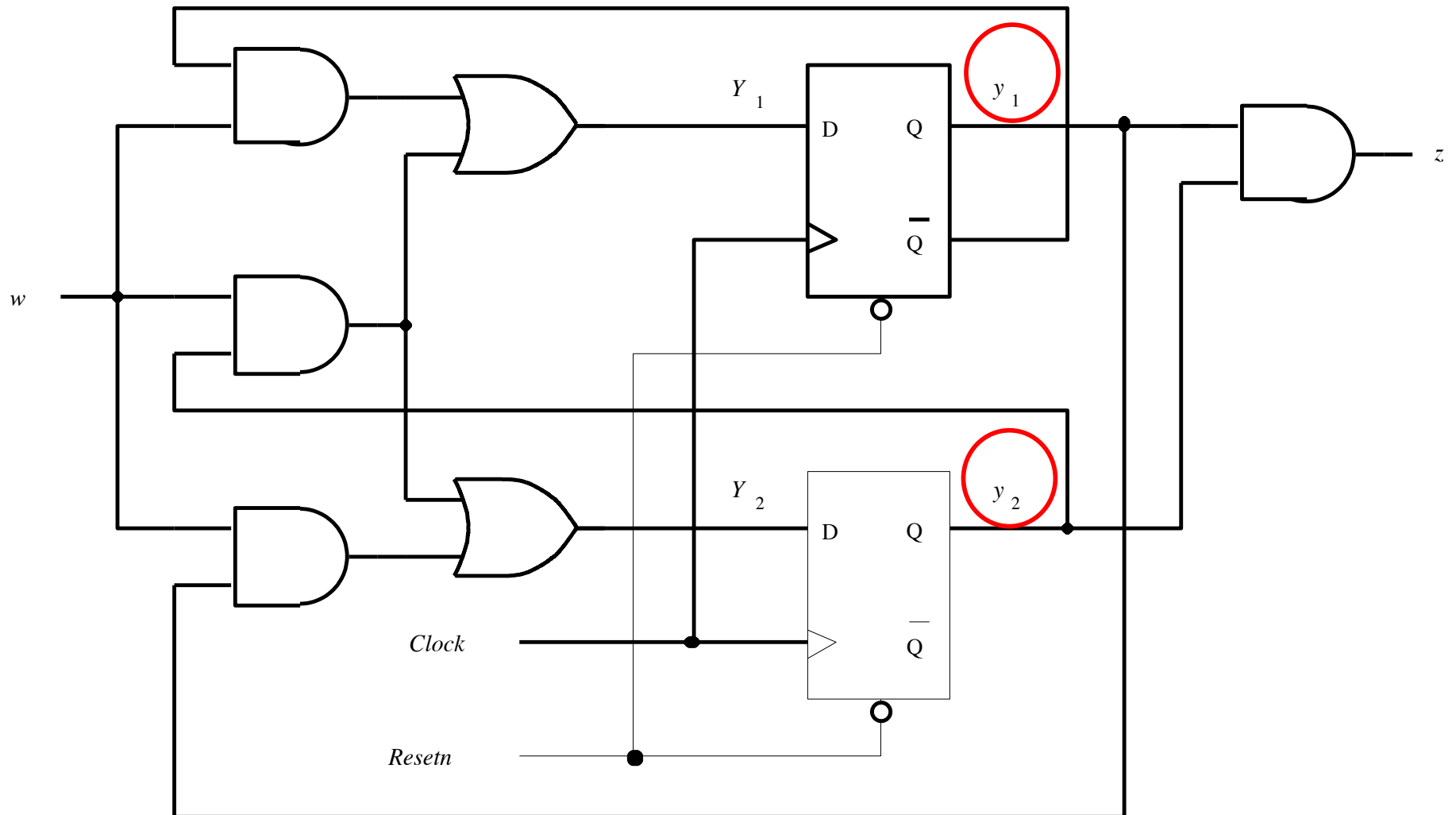


# Where are the outputs of the flip-flops?

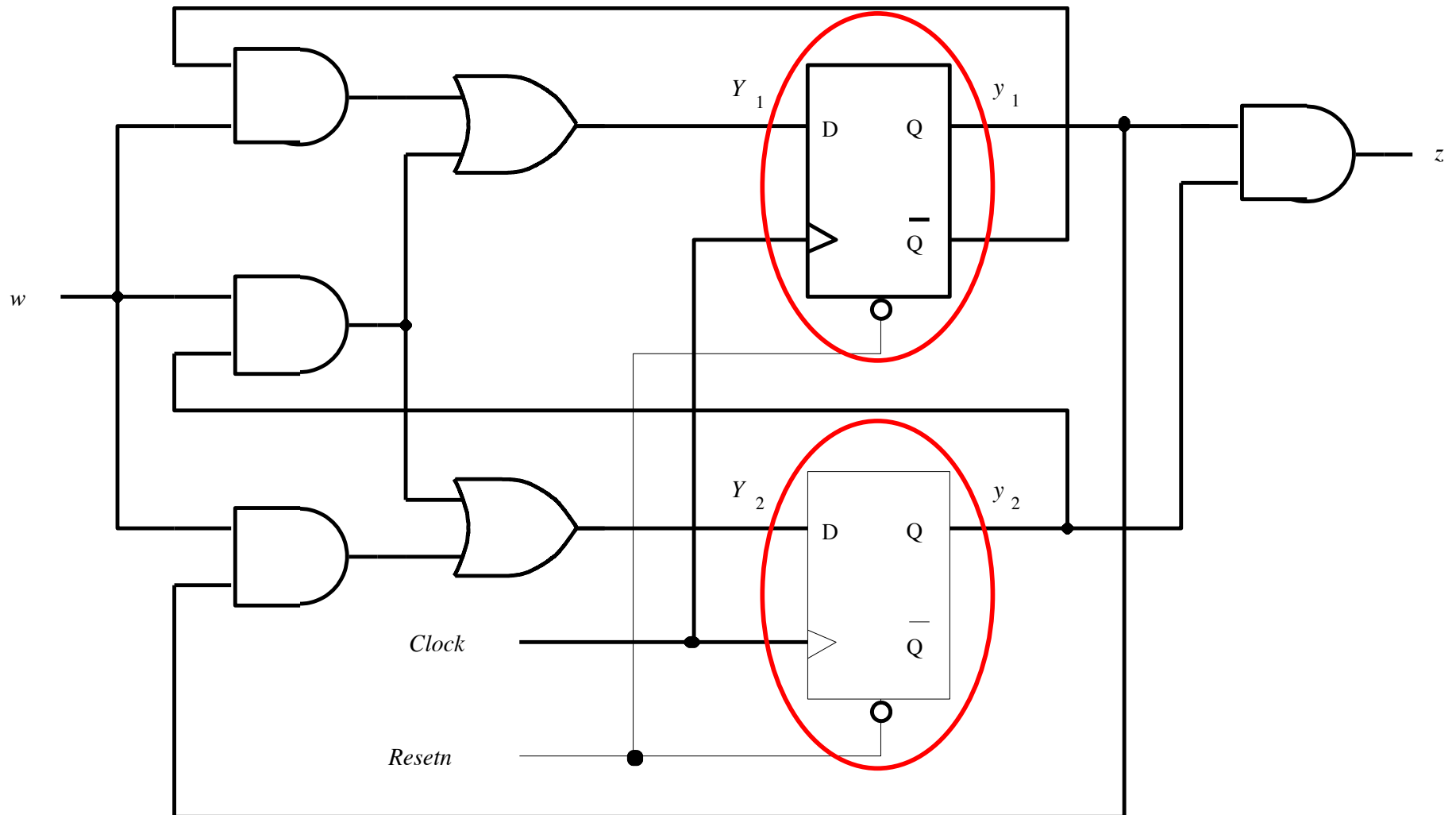




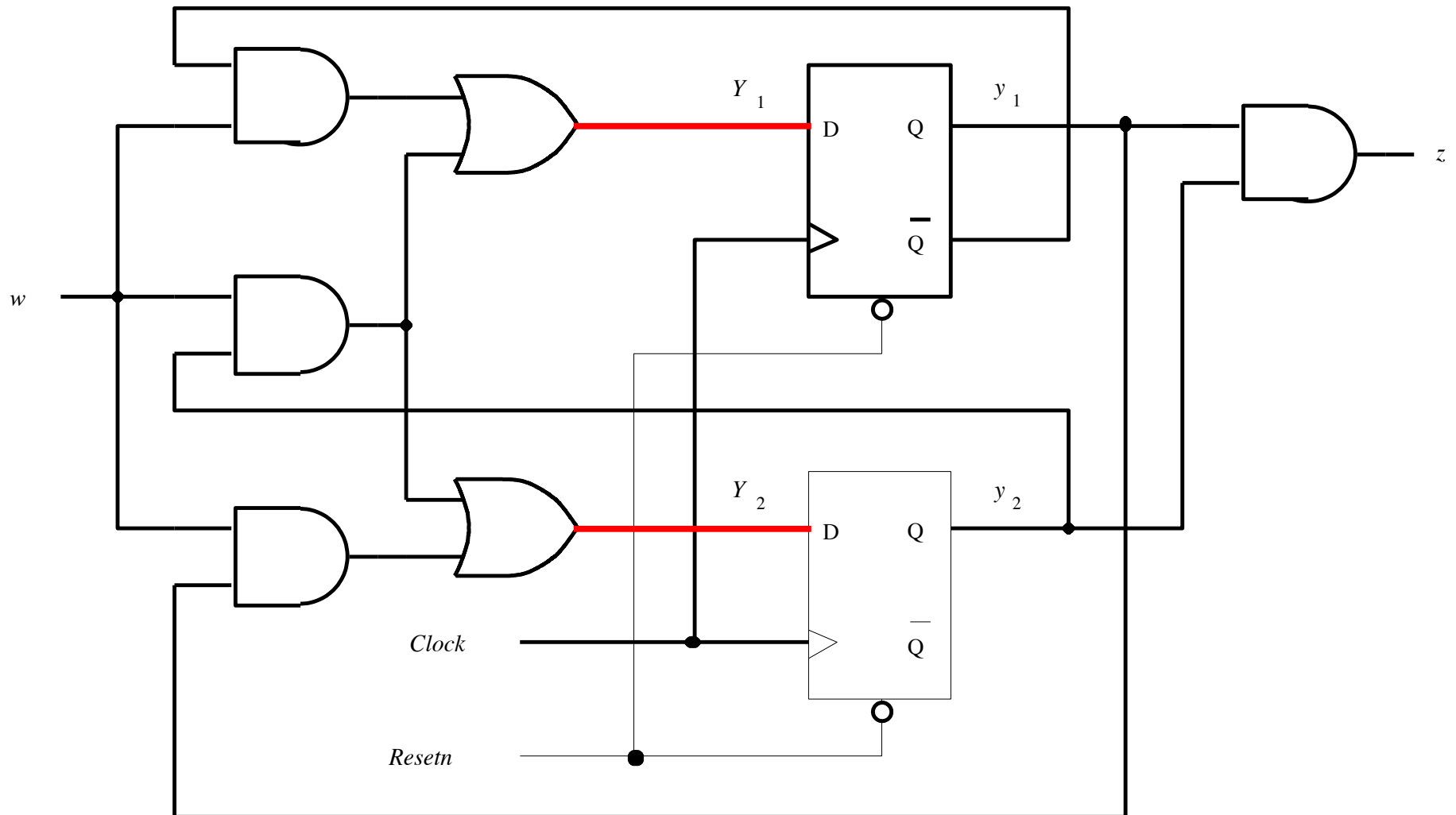
# These are the present-state variables



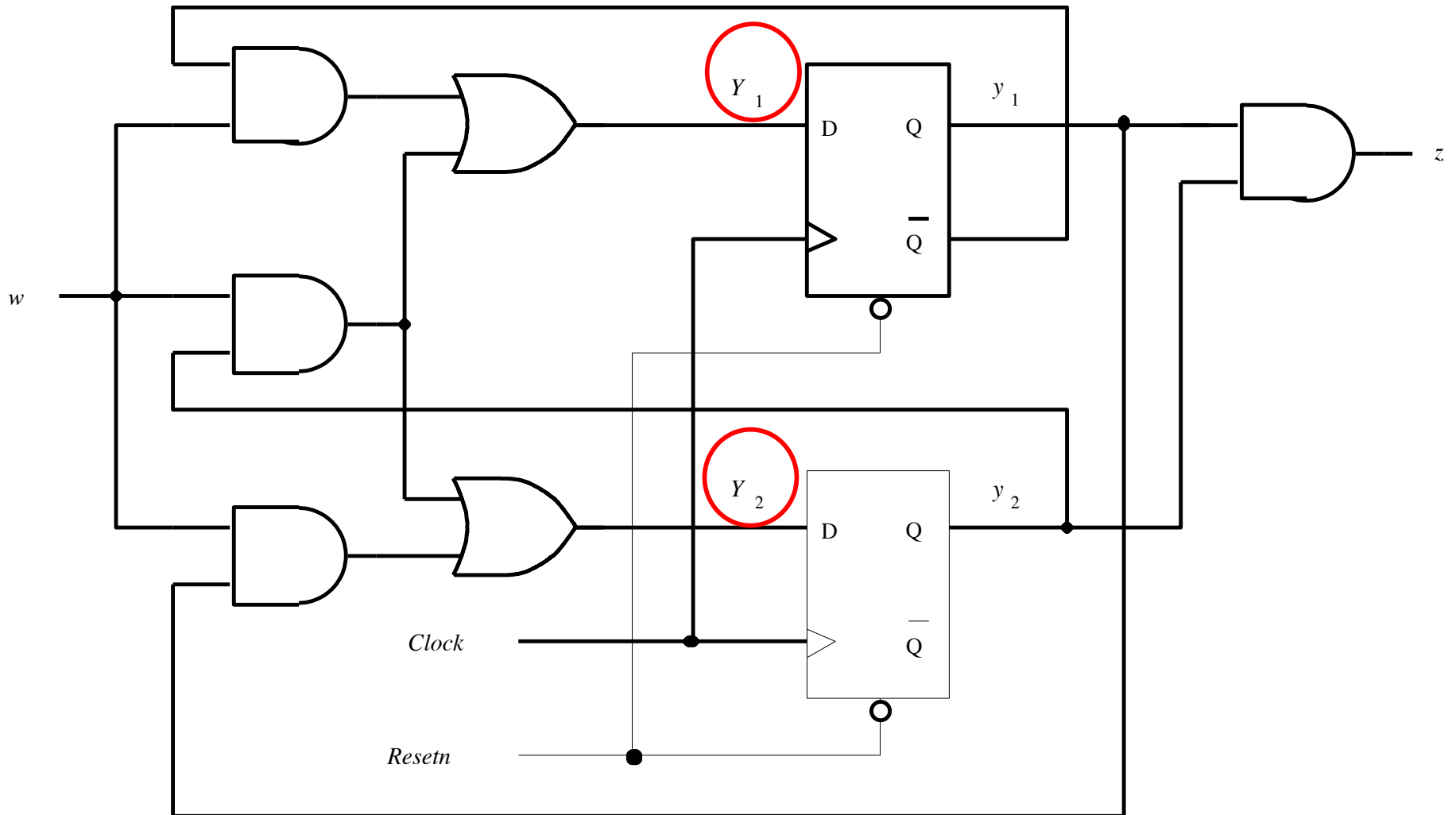
# Where are the inputs of the flip-flops?



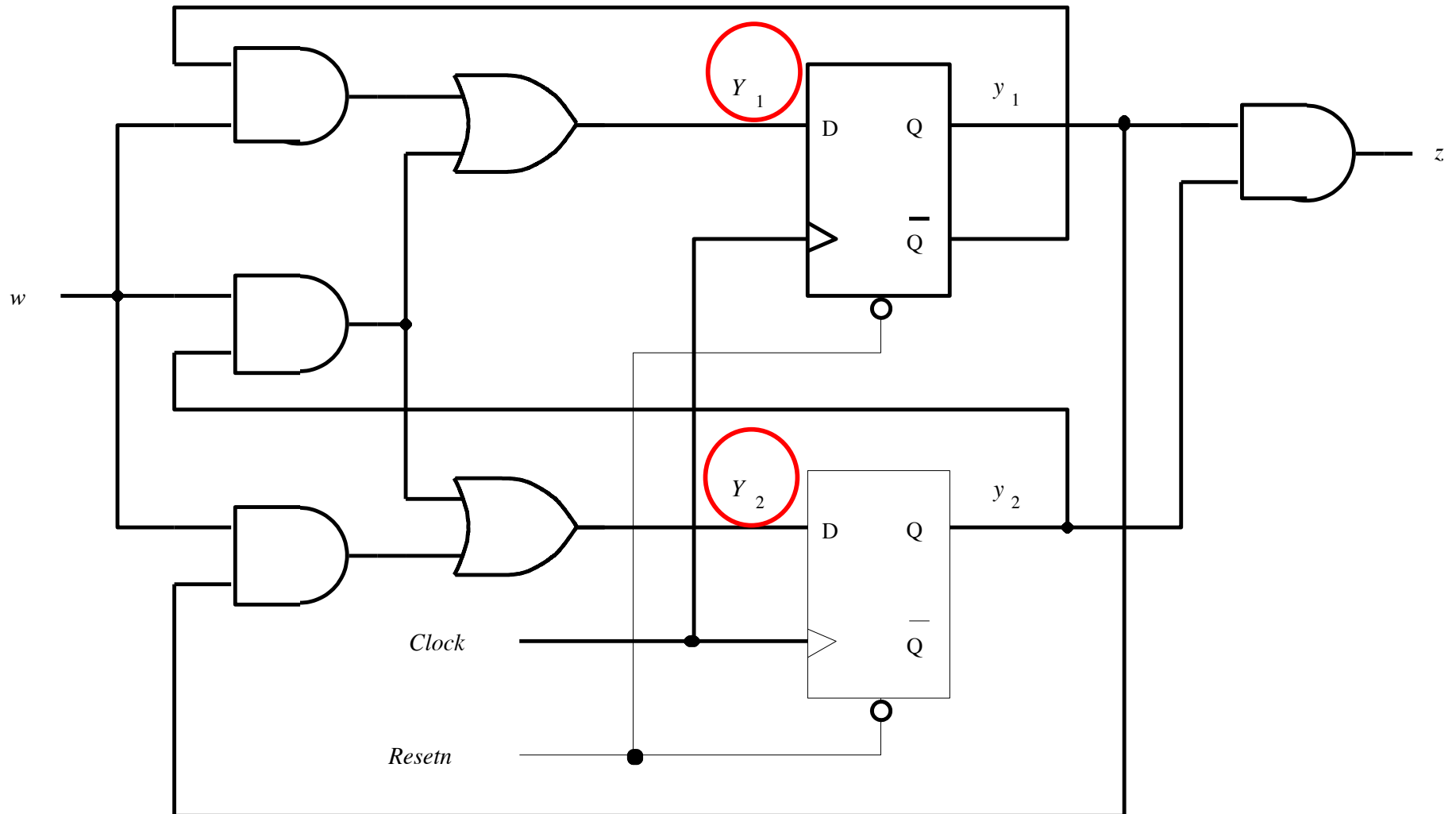
# Where are the inputs of the flip-flops?



# These are the next-state variables

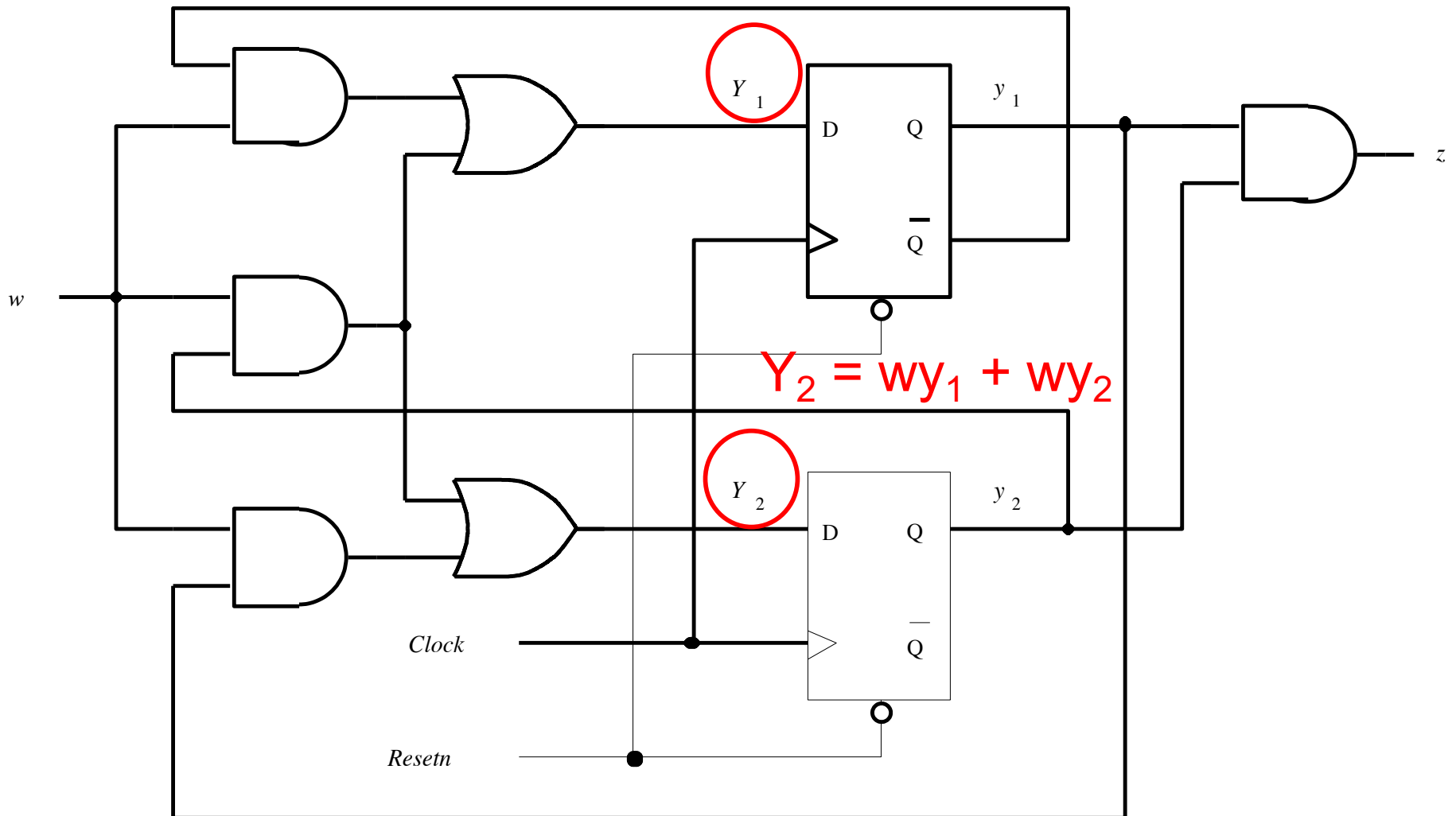


# What are their logic expressions?



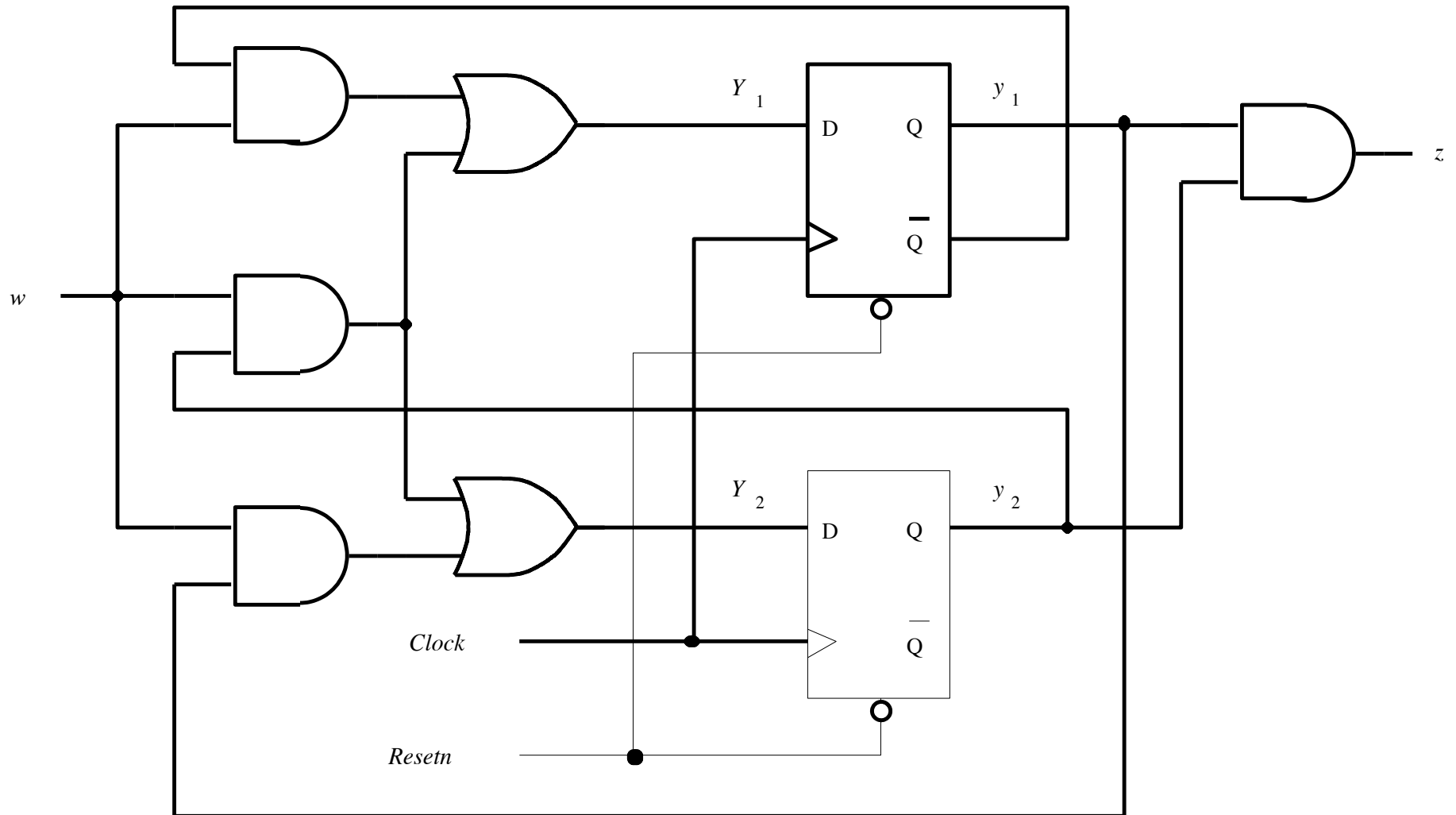
# What are their logic expressions?

$$Y_1 = w\bar{y}_1 + wy_2$$

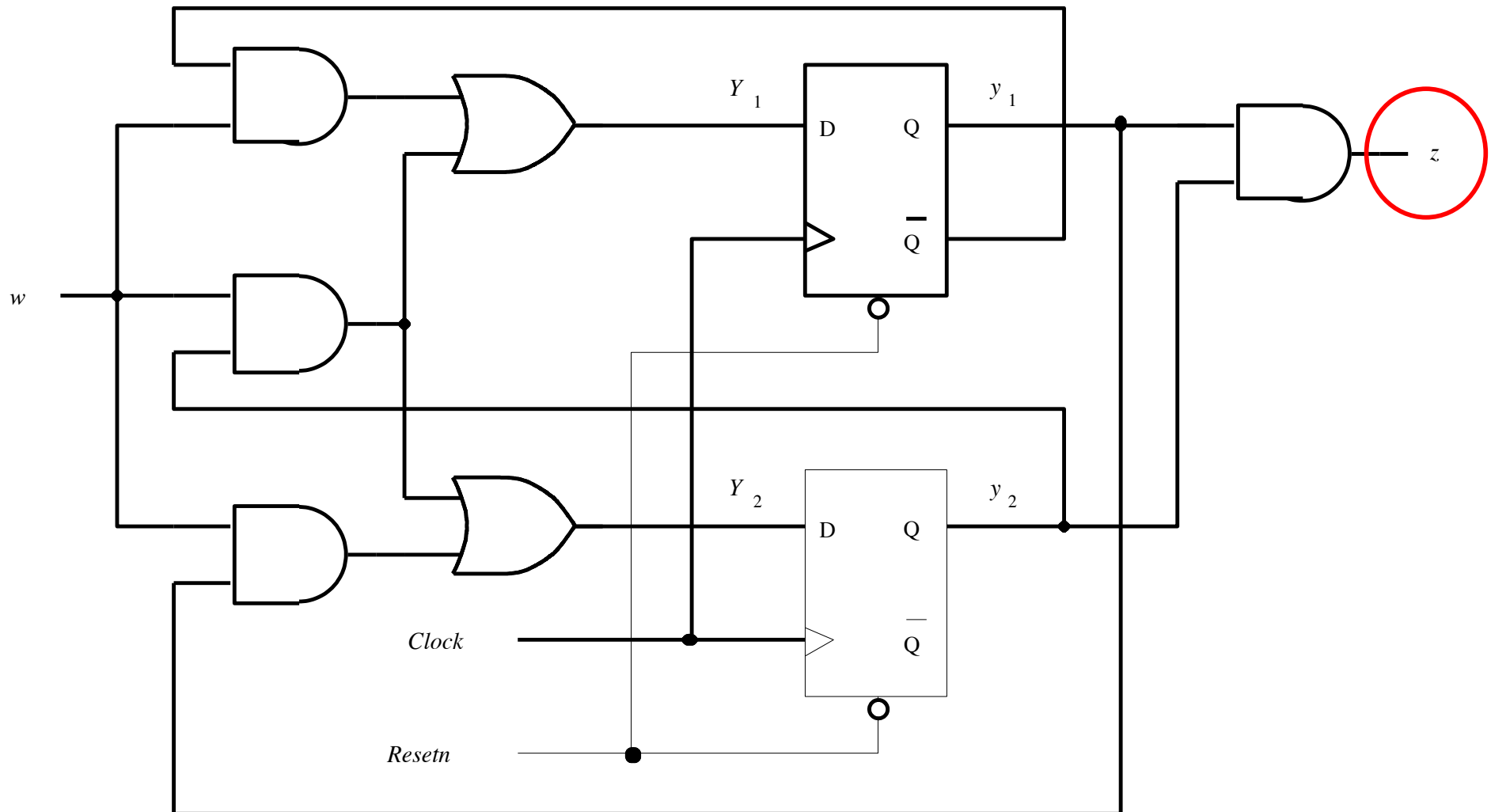


$$Y_2 = wy_1 + wy_2$$

# Where is the output, again?

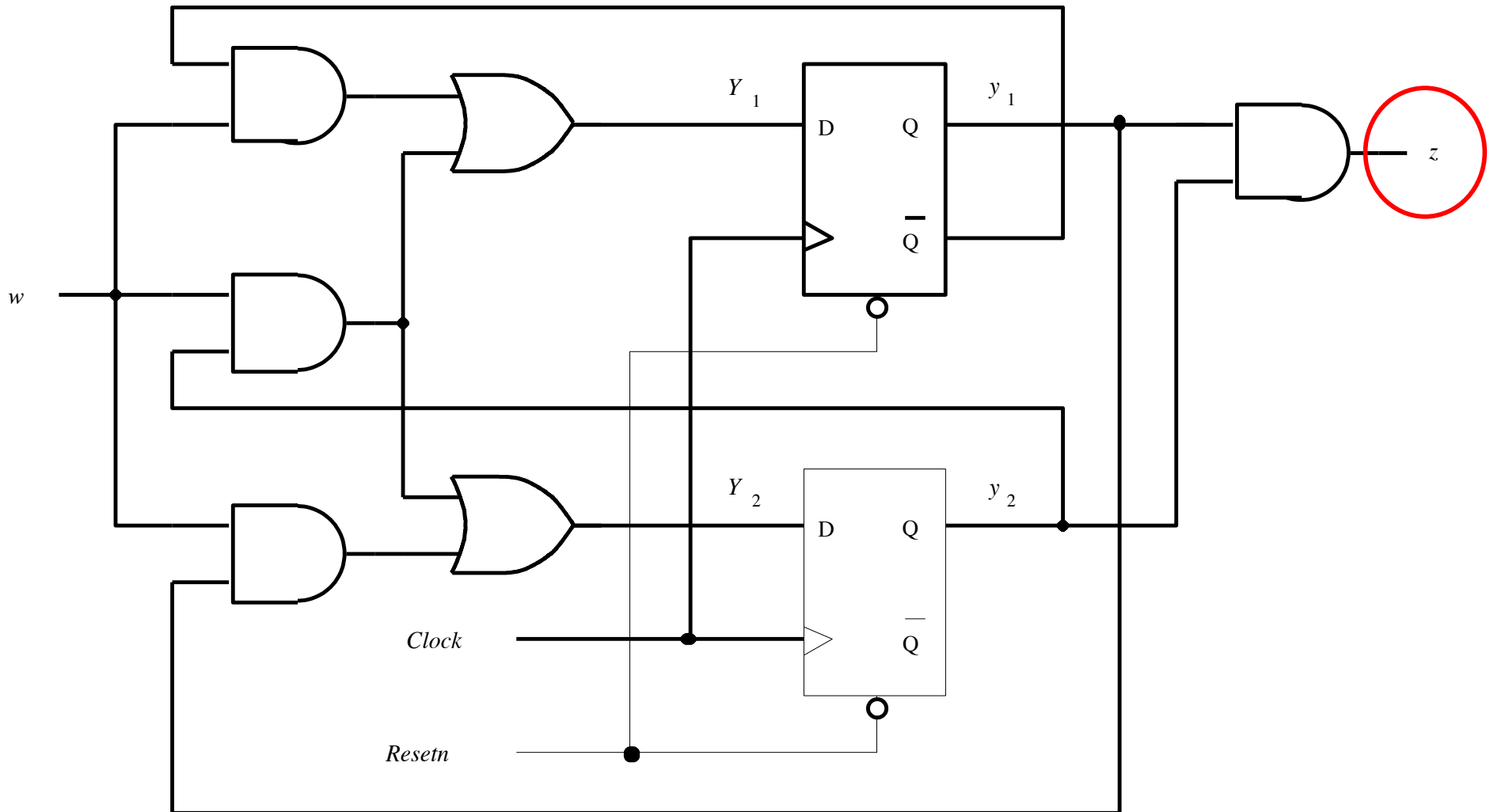


# Where is the output, again?

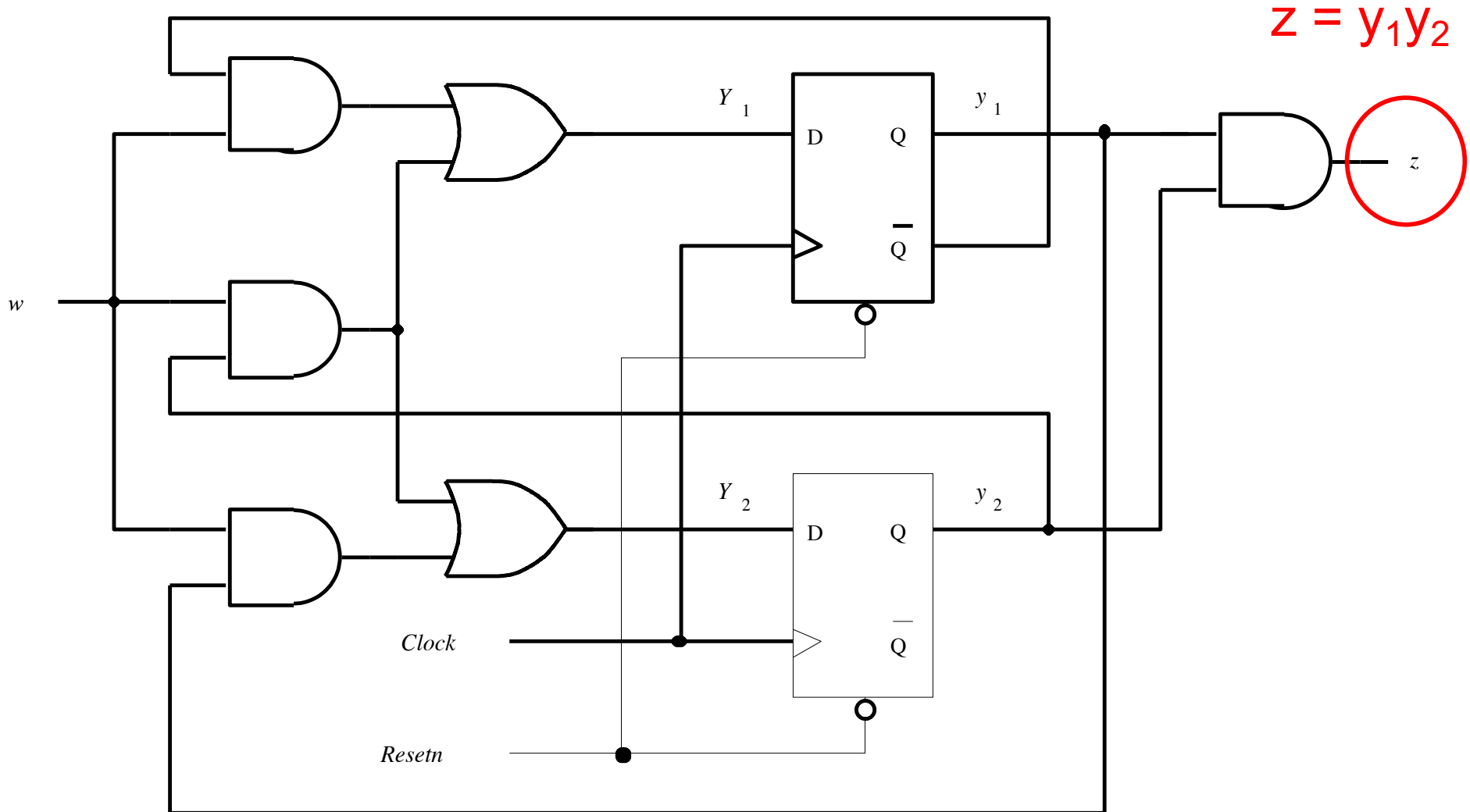




# What is its logic expression?



# What is its logic expression?



**This is what we have to work with now  
(we don't need the circuit anymore)**

$$Y_1 = w\bar{y}_1 + wy_2$$

$$Y_2 = wy_1 + wy_2$$

$$z = y_1y_2$$

# Let's derive the state-assigned table

$$Y_1 = w\bar{y}_1 + wy_2$$

$$Y_2 = wy_1 + wy_2$$

$$z = y_1y_2$$

Present state $y_2y_1$	Next State		Output $z$
	$w = 0$	$w = 1$	
	$Y_2Y_1$	$Y_2Y_1$	
00			
01			
10			
11			

# Let's derive the state-assigned table

$$Y_1 = w\bar{y}_1 + wy_2$$

$$Y_2 = wy_1 + wy_2$$

$$z = y_1y_2$$

Present state $y_2y_1$	Next State		Output $z$
	$w = 0$	$w = 1$	
00			
01			
10			
11			

# Let's derive the state-assigned table

$$Y_1 = w\bar{y}_1 + wy_2$$

$$Y_2 = wy_1 + wy_2$$

$$z = y_1y_2$$

Present state $y_2y_1$	Next State		Output $z$
	$w = 0$	$w = 1$	
	$Y_2Y_1$	$Y_2Y_1$	
00			0
01			0
10			0
11			1

# Let's derive the state-assigned table

$$Y_1 = w\bar{y}_1 + wy_2$$

$$Y_2 = wy_1 + wy_2$$

$$z = y_1y_2$$

Present state $y_2y_1$	Next State		Output $z$
	$w = 0$	$w = 1$	
		$Y_2Y_1$	$Y_2Y_1$
00			0
01			0
10			0
11			1

# Let's derive the state-assigned table

$$Y_1 = w\bar{y}_1 + wy_2$$

$$Y_2 = wy_1 + wy_2$$

$$z = y_1y_2$$

Present state $y_2y_1$	Next State		Output $z$
	$w = 0$	$w = 1$	
	$Y_2Y_1$	$Y_2Y_1$	
00	0	1	0
01	0	0	0
10	0	1	0
11	0	1	1



# Let's derive the state-assigned table

$$Y_1 = w\bar{y}_1 + wy_2$$

$$Y_2 = wy_1 + wy_2$$

$$z = y_1y_2$$

Present state $y_2y_1$	Next State		Output $z$
	$w = 0$	$w = 1$	
	$Y_2Y_1$	$Y_2Y_1$	
00	0	1	0
01	0	0	0
10	0	1	0
11	0	1	1

# Let's derive the state-assigned table

$$Y_1 = w\bar{y}_1 + wy_2$$

$$Y_2 = wy_1 + wy_2$$

$$z = y_1y_2$$

Present state $y_2y_1$	Next State		Output $z$
	$w = 0$	$w = 1$	
	$Y_2Y_1$	$Y_2Y_1$	
00	00	01	0
01	00	10	0
10	00	11	0
11	00	11	1

# We don't need the logic expressions anymore

$$Y_1 = w\bar{y}_1 + wy_2$$

$$Y_2 = wy_1 + wy_2$$

$$z = y_1y_2$$

Present state $y_2y_1$	Next State		Output $z$
	$w = 0$	$w = 1$	
	$Y_2Y_1$	$Y_2Y_1$	
00	00	01	0
01	00	10	0
10	00	11	0
11	00	11	1

# We don't need the logic expressions anymore

Present state $y_2y_1$	Next State		Output $z$
	$w = 0$	$w = 1$	
	$Y_2Y_1$	$Y_2Y_1$	
00	00	01	0
01	00	10	0
10	00	11	0
11	00	11	1

# Let's derive the state table

Present state	Next state		Output z
	w = 0	w = 1	

State table

Present state $y_2y_1$	Next State		Output z
	w = 0	w = 1	
	$Y_2Y_1$	$Y_2Y_1$	
00	00	01	0
01	00	10	0
10	00	11	0
11	00	11	1

State-assigned table

# Let's derive the state table

Present state	Next state		Output z
	w = 0	w = 1	

State table

Present state $y_2y_1$	Next State		Output z
	w = 0	w = 1	
	$Y_2Y_1$	$Y_2Y_1$	
00	00	01	0
01	00	10	0
10	00	11	0
11	00	11	1

State-assigned table

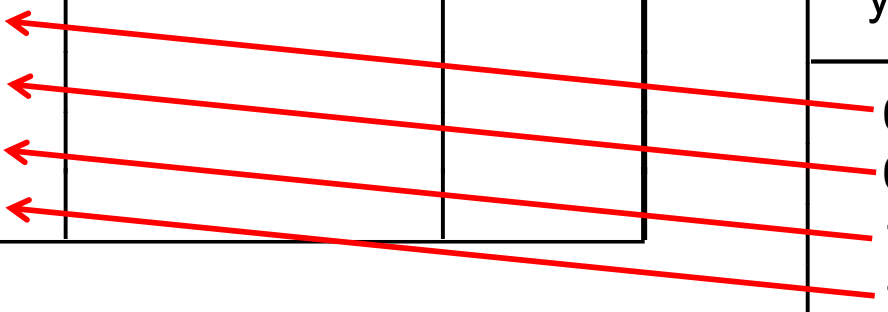
# Let's derive the state table

Present state	Next state		Output z
	w = 0	w = 1	
A			
B			
C			
D			

State table

Present state $y_2y_1$	Next State		Output z
	w = 0 $Y_2Y_1$	w = 1 $Y_2Y_1$	
00	00	01	0
01	00	10	0
10	00	11	0
11	00	11	1

State-assigned table



# Let's derive the state table

Present state	Next state		Output z
	w = 0	w = 1	
A			
B			
C			
D			

State table

Present state $y_2y_1$	Next State		Output z
	w = 0	w = 1	
00	00	01	0
01	00	10	0
10	00	11	0
11	00	11	1

State-assigned table



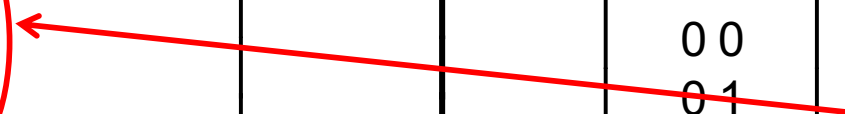
# Let's derive the state table

Present state	Next state		Output z
	w = 0	w = 1	
A	A		
B	A		
C	A		
D	A		

State table

Present state $y_2y_1$	Next State		Output z
	w = 0 $Y_2Y_1$	w = 1 $Y_2Y_1$	
00	00	01	0
01	00	10	0
10	00	11	0
11	00	11	1

State-assigned table



# Let's derive the state table

Present state	Next state		Output z
	w = 0	w = 1	
A	A		
B	A		
C	A		
D	A		

State table

Present state $y_2y_1$	Next State		Output z
	w = 0 $Y_2Y_1$	w = 1 $Y_2Y_1$	
00	00	01	0
01	00	10	0
10	00	11	0
11	00	11	1

State-assigned table

# Let's derive the state table

Present state	Next state		Output z
	w = 0	w = 1	
A	A	B	
B	A	C	
C	A	D	
D	A	D	

State table

Present state $y_2y_1$	Next State		Output z
	w = 0 $Y_2Y_1$	w = 1 $Y_2Y_1$	
00	00	01	0
01	00	10	0
10	00	11	0
11	00	11	1

State-assigned table



# Let's derive the state table

Present state	Next state		Output z
	w = 0	w = 1	
A	A	B	
B	A	C	
C	A	D	
D	A	D	

State table

Present state $y_2y_1$	Next State		Output z
	w = 0	w = 1	
	$Y_2Y_1$	$Y_2Y_1$	
00	00	01	0
01	00	10	0
10	00	11	0
11	00	11	1

State-assigned table

# Let's derive the state table

Present state	Next state		Output z
	w = 0	w = 1	
A	A	B	
B	A	C	
C	A	D	
D	A	D	

State table

Present state $y_2y_1$	Next State		Output z
	w = 0	w = 1	
	$Y_2Y_1$	$Y_2Y_1$	
00	00	01	0
01	00	10	0
10	00	11	0
11	00	11	1

State-assigned table

The output is the same in both tables

# The two tables for the initial circuit

Present state	Next state		Output z
	w = 0	w = 1	
A	A	B	0
B	A	C	0
C	A	D	0
D	A	D	1

State table

Present state $y_2y_1$	Next State		Output z
	w = 0 $Y_2Y_1$	w = 1 $Y_2Y_1$	
00	00	01	0
01	00	10	0
10	00	11	0
11	00	11	1

State-assigned table

# We don't need the state-assigned table anymore

Present state	Next state		Output z
	w = 0	w = 1	
A	A	B	0
B	A	C	0
C	A	D	0
D	A	D	1

State table

Present state $y_2y_1$	Next State		Output z
	w = 0 $Y_2Y_1$	w = 1 $Y_2Y_1$	
00	00	01	0
01	00	10	0
10	00	11	0
11	00	11	1

State-assigned table

# We don't need the state-assigned table anymore

Present state	Next state		Output z
	w = 0	w = 1	
A	A	B	0
B	A	C	0
C	A	D	0
D	A	D	1

State table

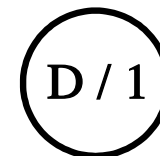
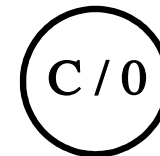
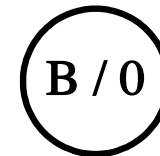
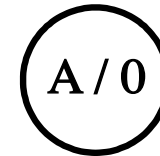


# Let's Draw the State Diagram

Present state	Next state		Output z
	w = 0	w = 1	
A	A	B	0
B	A	C	0
C	A	D	0
D	A	D	1

# Let's Draw the State Diagram

Present state	Next state		Output z
	w = 0	w = 1	
A	A	B	0
B	A	C	0
C	A	D	0
D	A	D	1



Because this is a Moore machine the output is tied to the state

# Let's Draw the State Diagram

Present state	Next state		Output z
	w = 0	w = 1	
A	A	B	0
B	A	C	0
C	A	D	0
D	A	D	1

A / 0

B / 0

C / 0

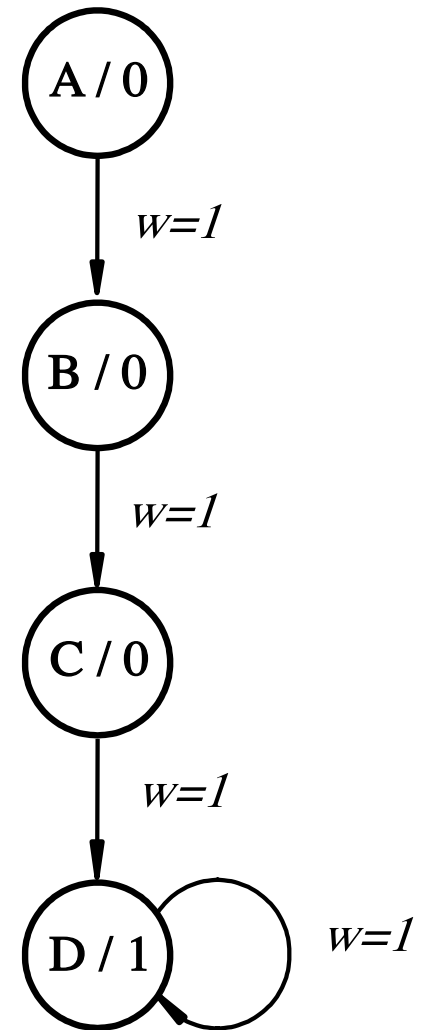
D / 1

All transitions when the input w is equal to 1

# Let's Draw the State Diagram

Present state	Next state		Output z
	w = 0	w = 1	
A	A	B	0
B	A	C	0
C	A	D	0
D	A	D	1

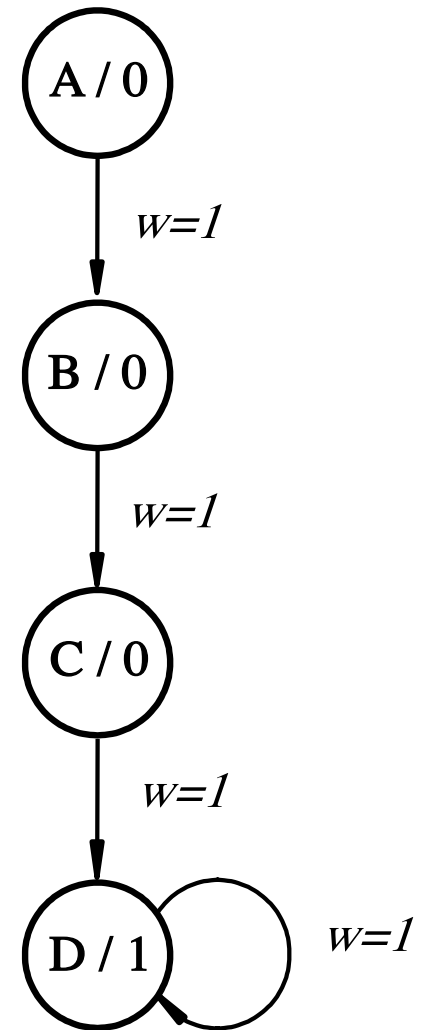
All transitions when the input  $w$  is equal to 1



# Let's Draw the State Diagram

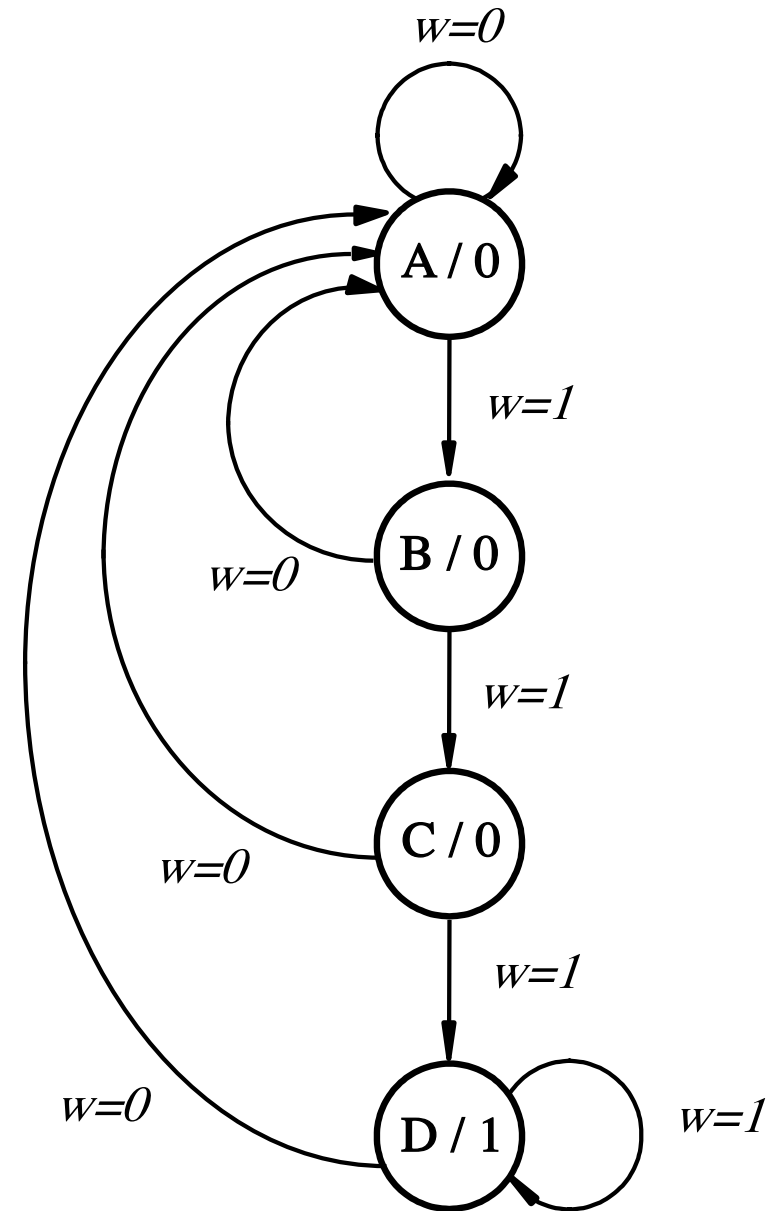
Present state	Next state		Output z
	w = 0	w = 1	
A	A	B	0
B	A	C	0
C	A	D	0
D	A	D	1

All transitions when the input  $w$  is equal to 0



# Let's Draw the State Diagram

Present state	Next state		Output z
	w = 0	w = 1	
A	A	B	0
B	A	C	0
C	A	D	0
D	A	D	1

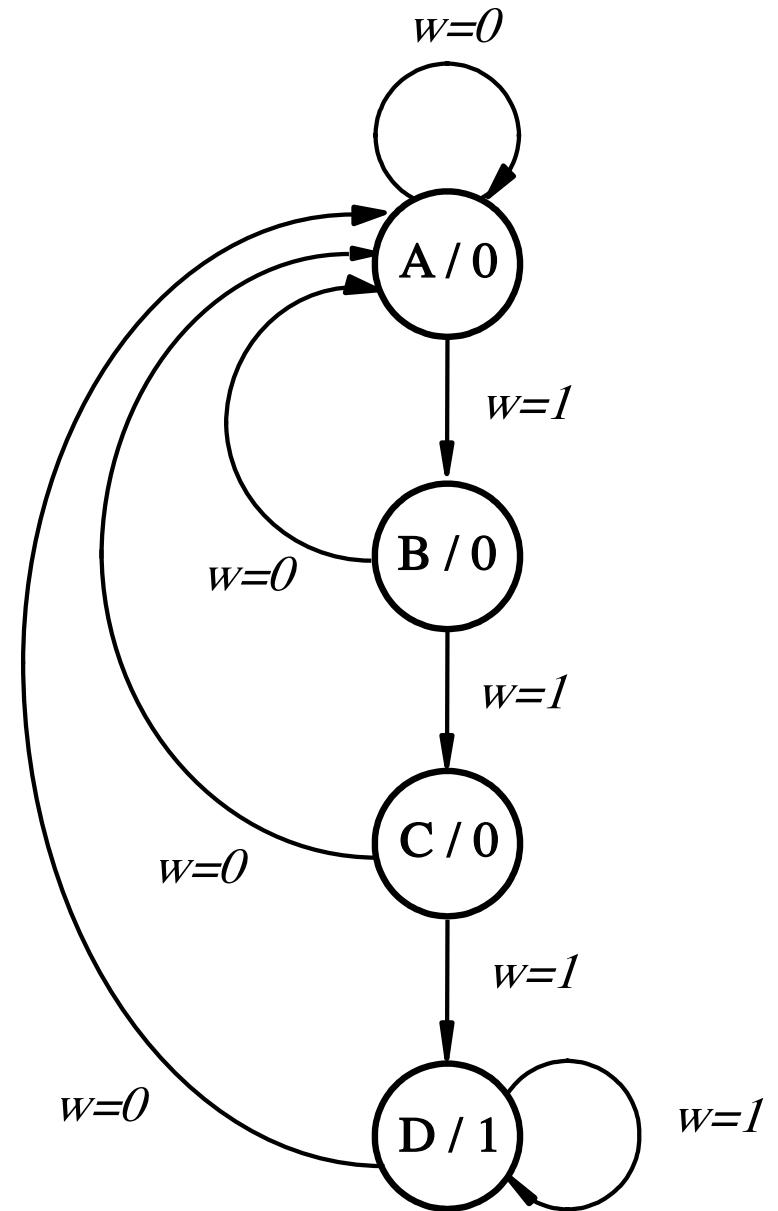


All transitions when the input  $w$  is equal to 0

# We are done!

Present state	Next state		Output z
	w = 0	w = 1	
A	A	B	0
B	A	C	0
C	A	D	0
D	A	D	1

State table

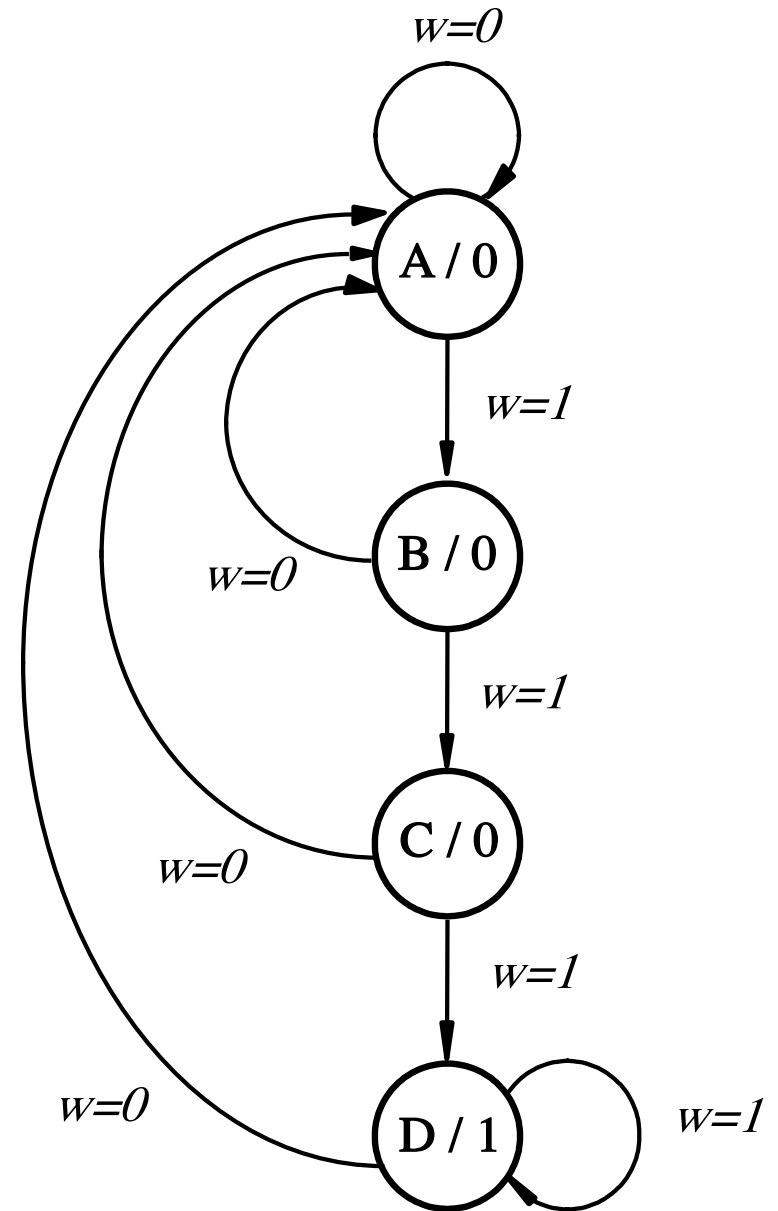


State diagram

# Almost done. What does this FSM do?

Present state	Next state		Output z
	w = 0	w = 1	
A	A	B	0
B	A	C	0
C	A	D	0
D	A	D	1

State table



State diagram

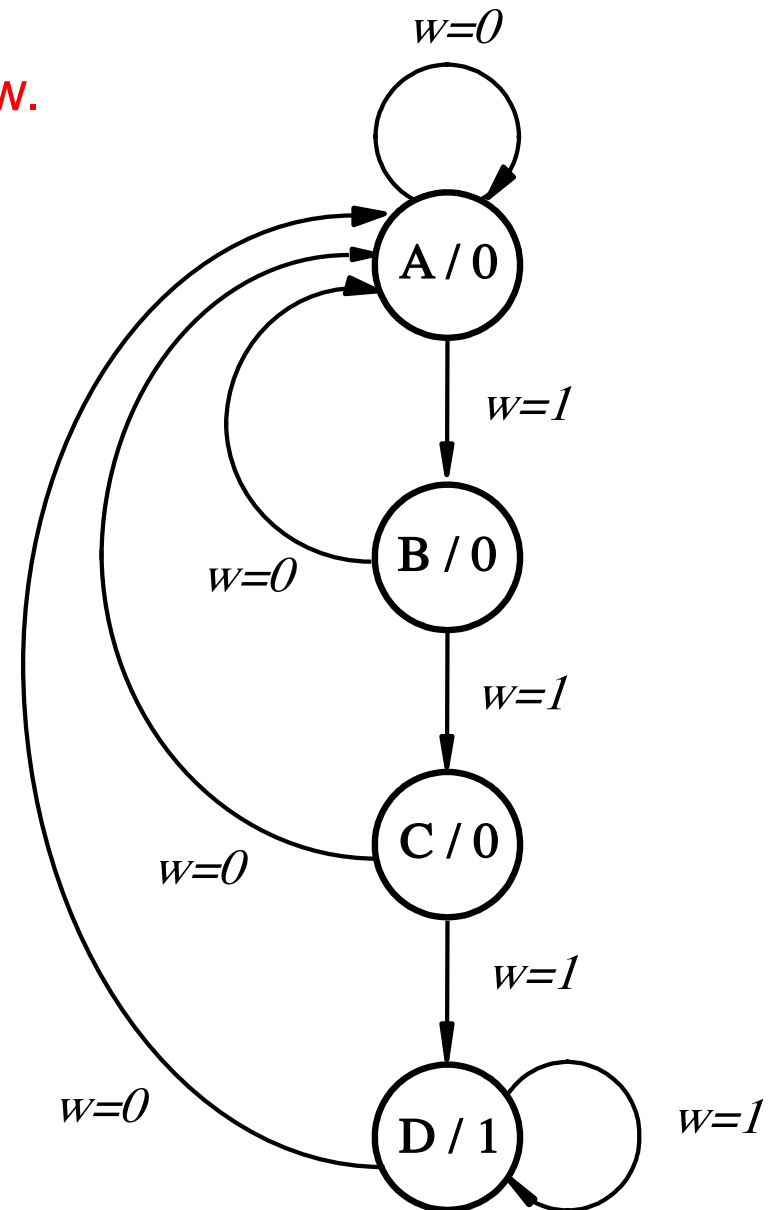


# Almost done. What does this FSM do?

It sets the output  $z$  to 1 when three consecutive 1's occur on the input  $w$ . In other words, it is a sequence detector for the input pattern 111.

Present state	Next state		Output $z$
	$w = 0$	$w = 1$	
A	A	B	0
B	A	C	0
C	A	D	0
D	A	D	1

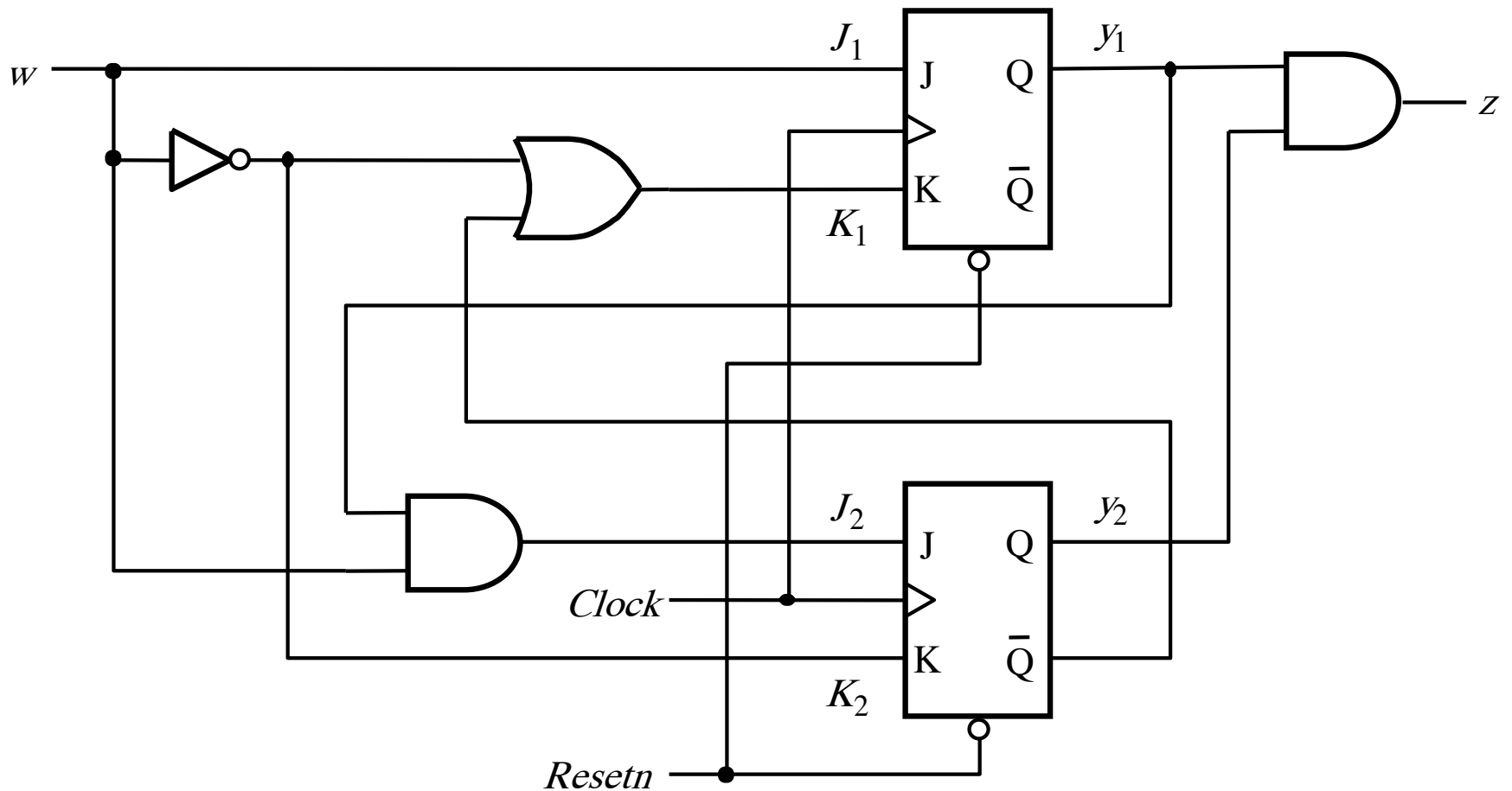
State table



State diagram

# **Another Example (with JK flip-flops)**

# What does this circuit do?

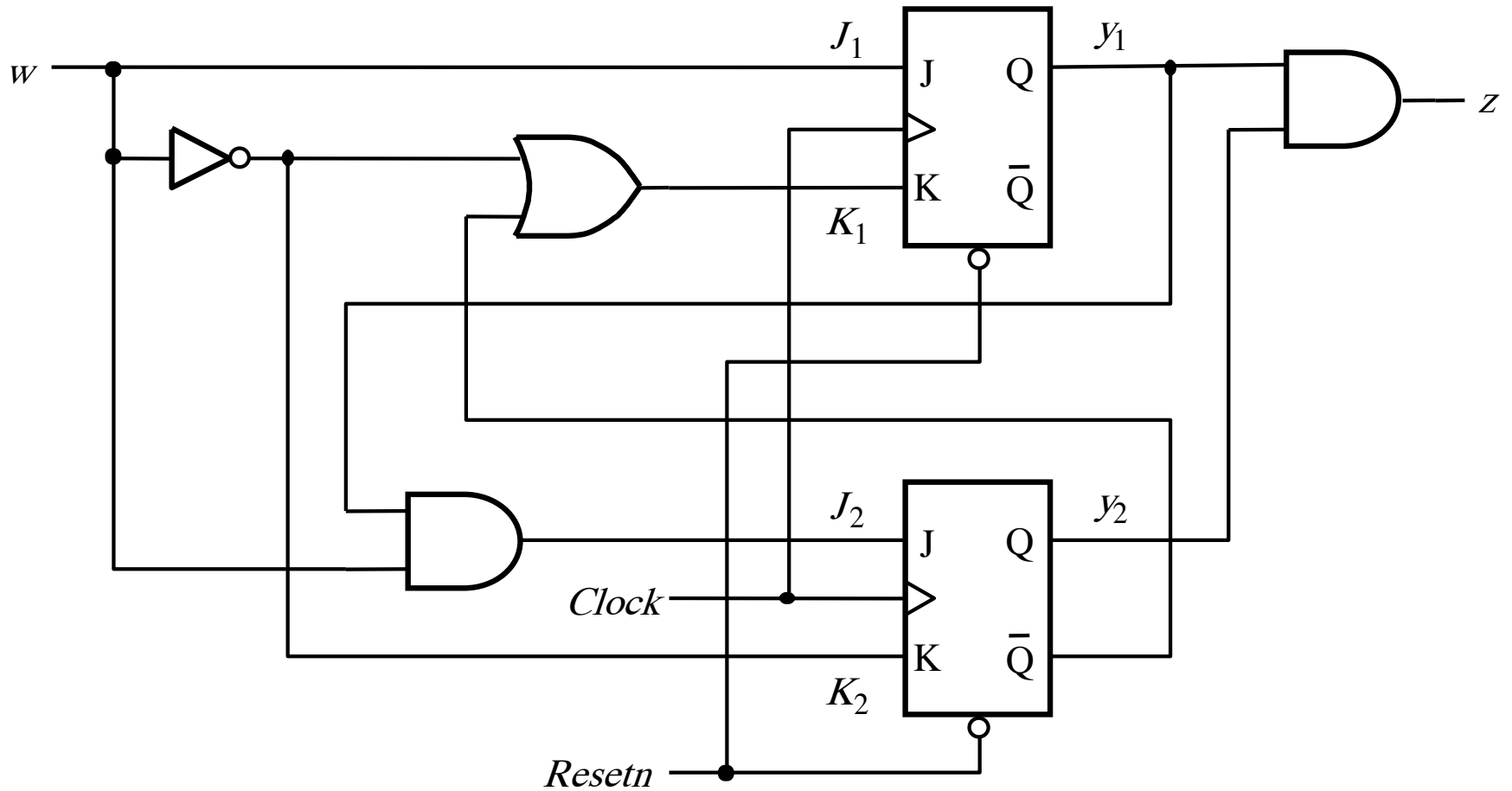


[ Figure 6.77 from the textbook ]

# Approach

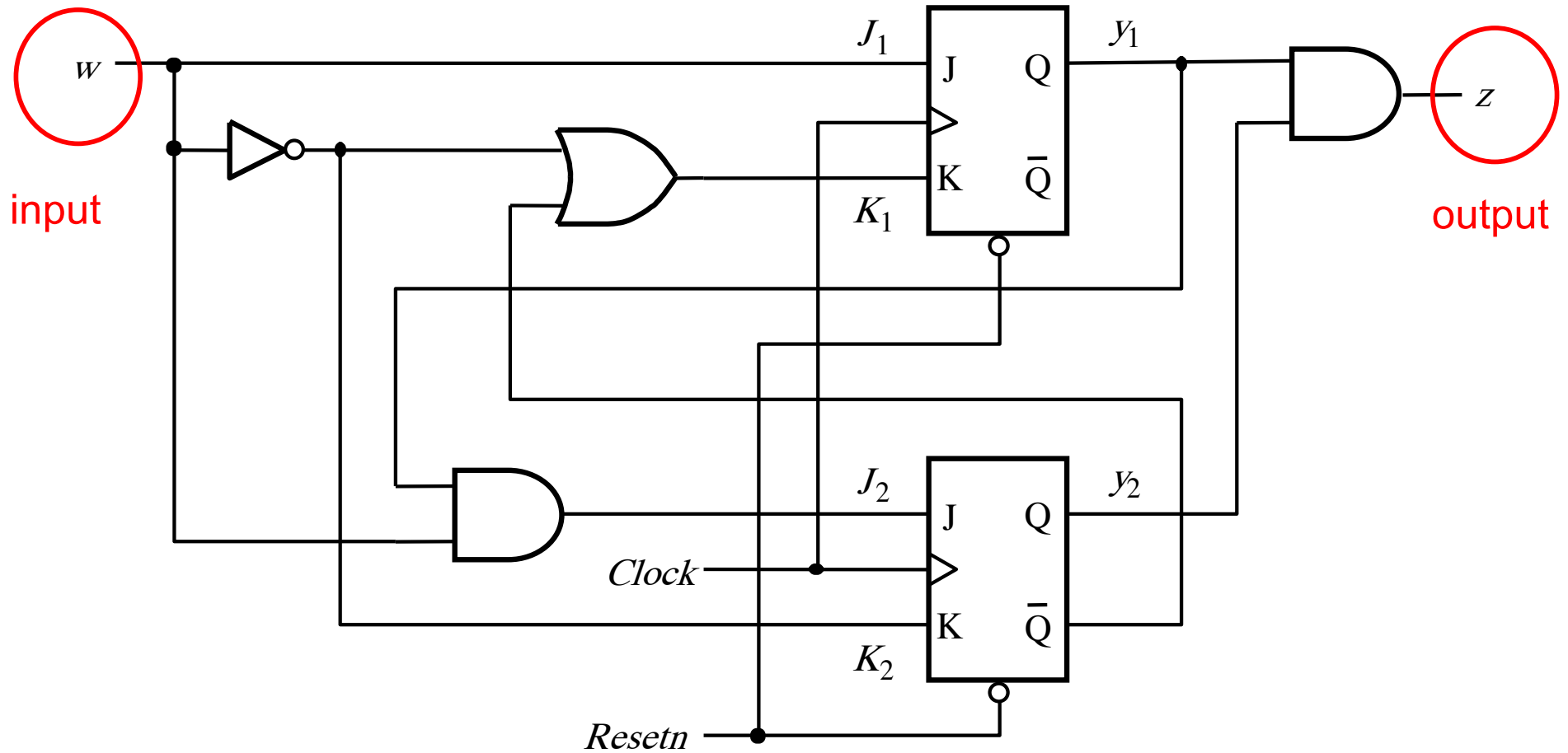
- **Find the flip-flops**
- **Outputs of the flip-flops = present state variables**
- **Inputs of the flip-flops determine the next state variables**
- **Determine the logical expressions for the outputs**
- **Given this info it is easy to do the state-assigned table**
- **Next do the state table**
- **Finally, draw the state diagram.**

# Where are the inputs and outputs?

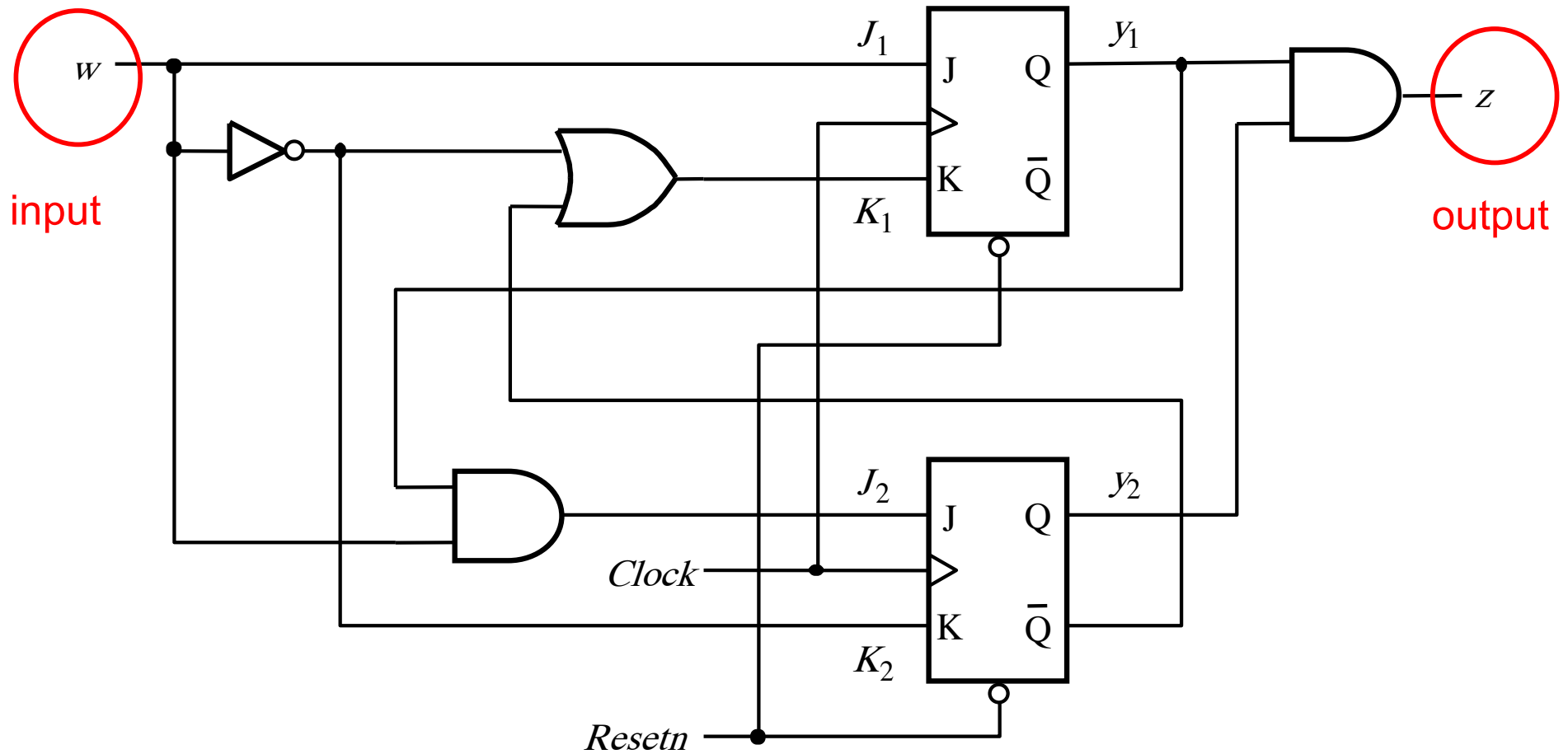


[ Figure 6.77 from the textbook ]

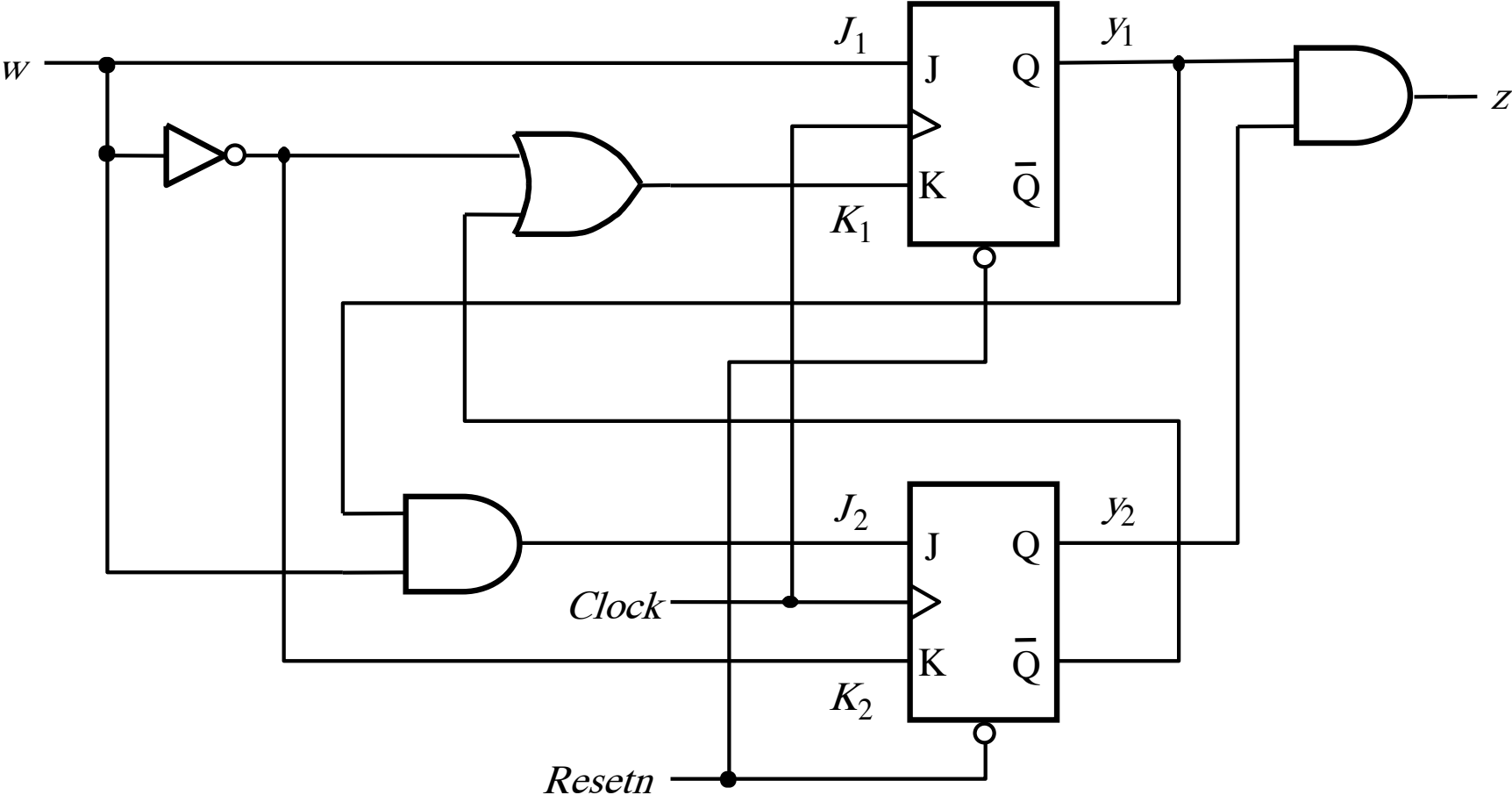
# Where are the inputs and outputs?



# What kind of machine is this?

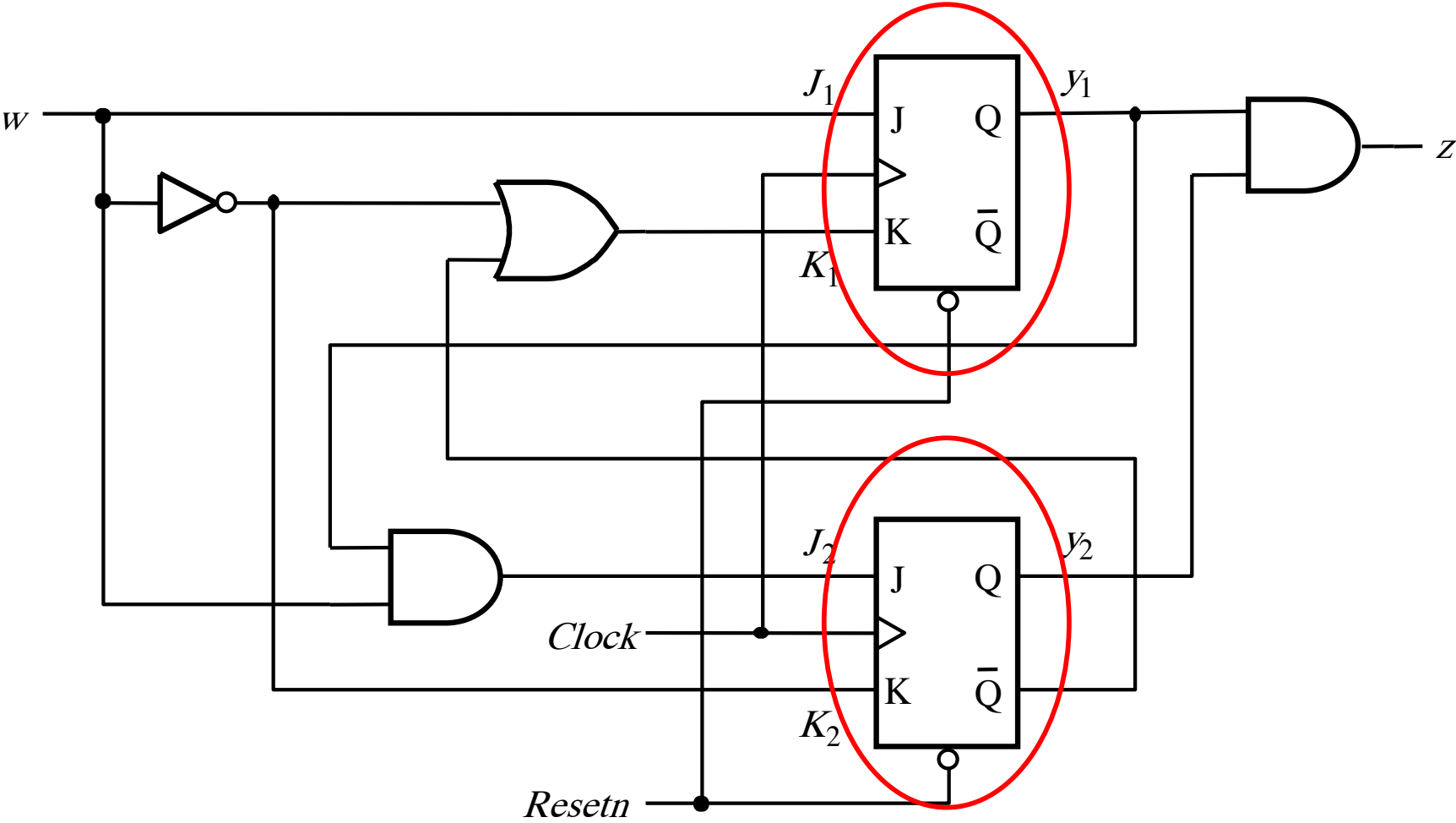


# Where are the flip-flops?

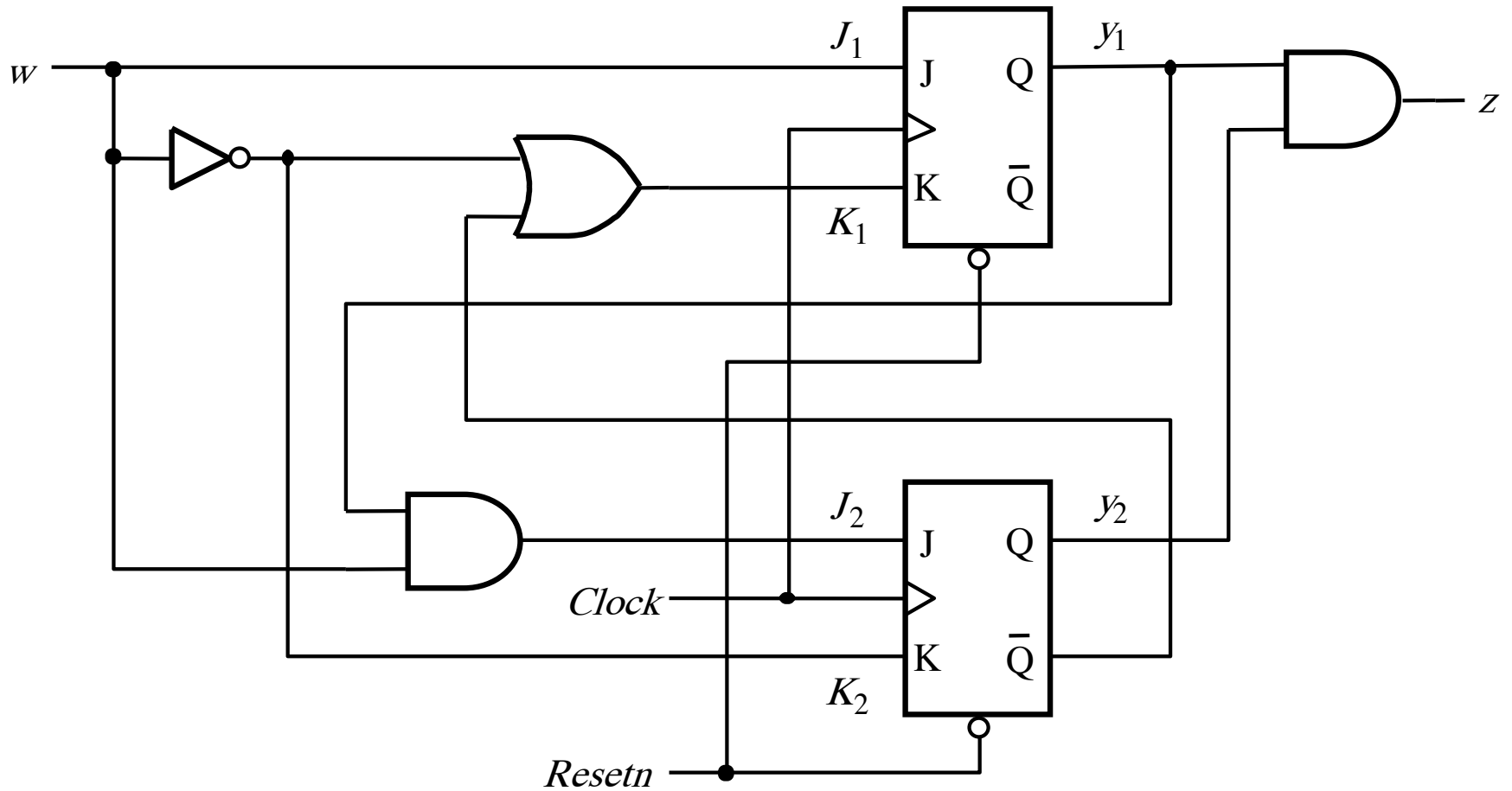




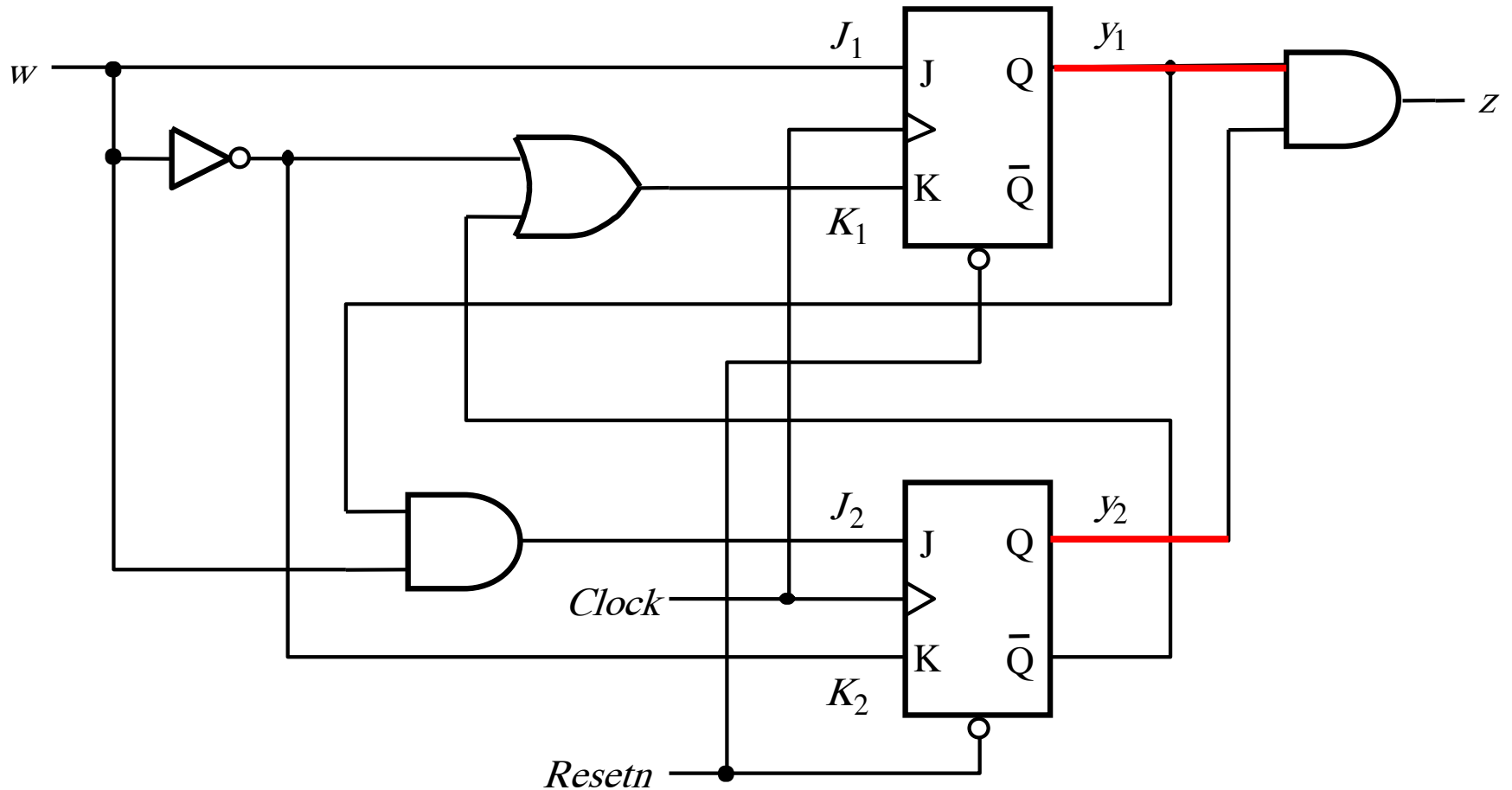
# Where are the flip-flops?



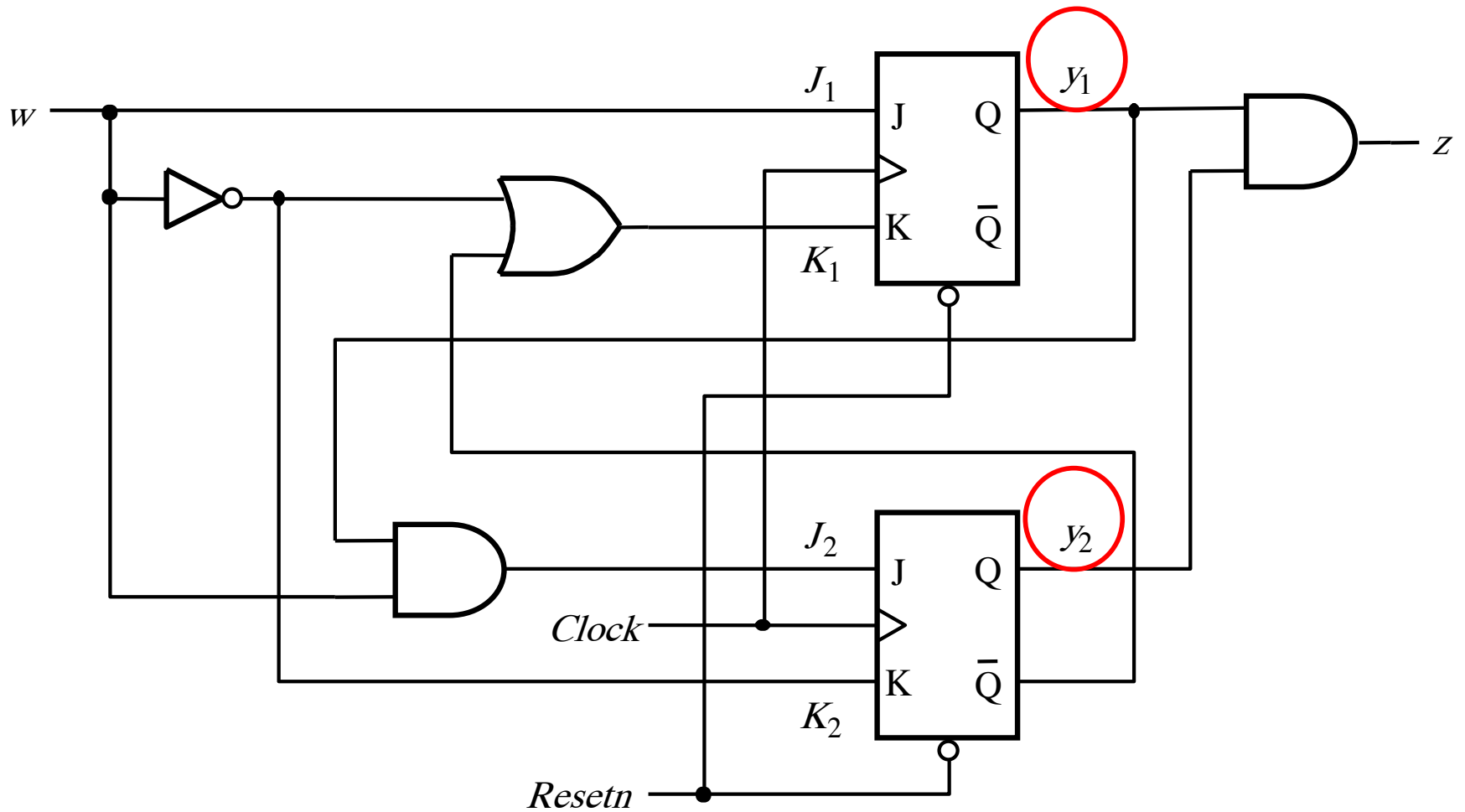
# Where are the outputs of the flip-flops?



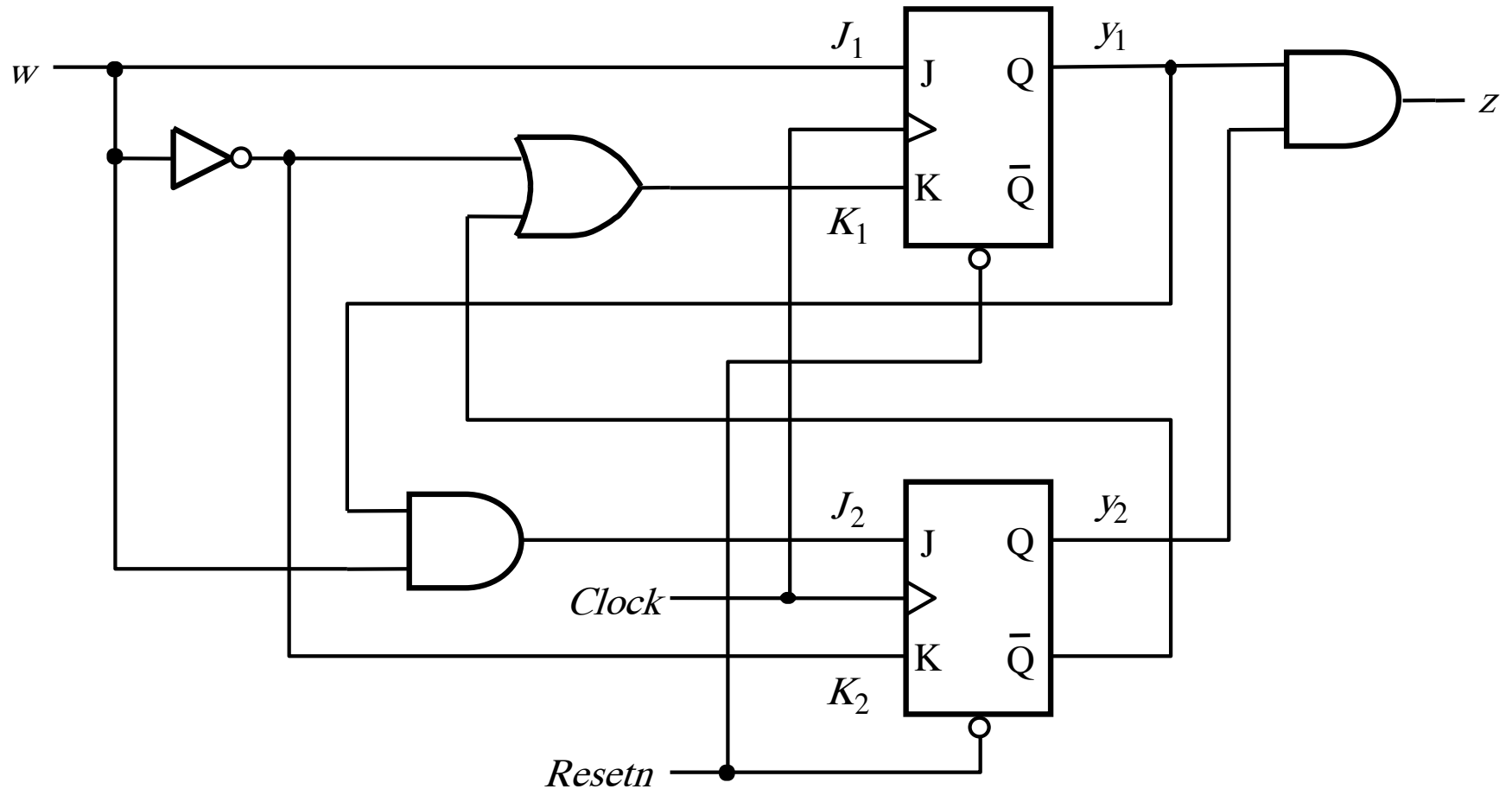
# Where are the outputs of the flip-flops?



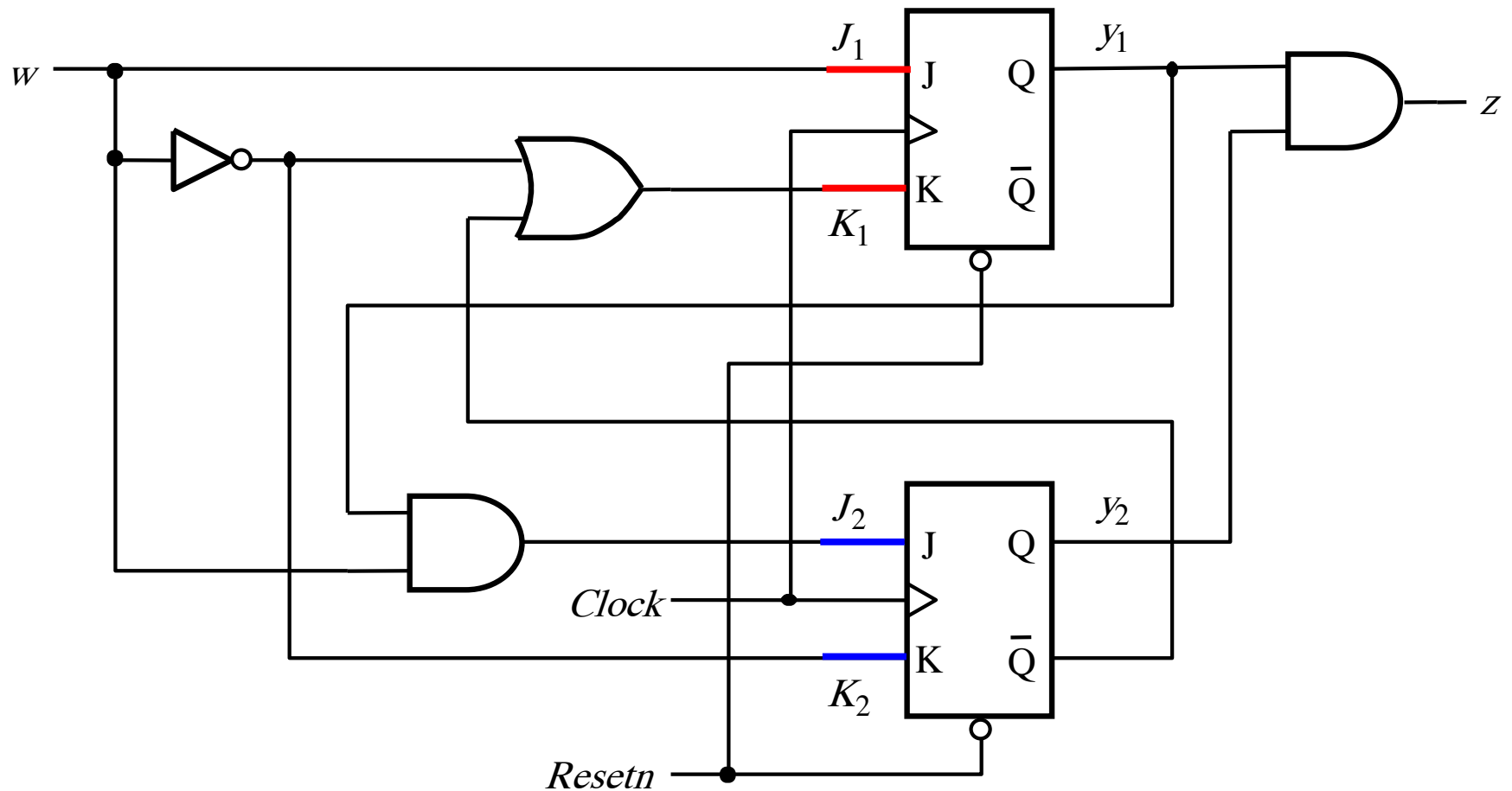
# These are the present-state variables



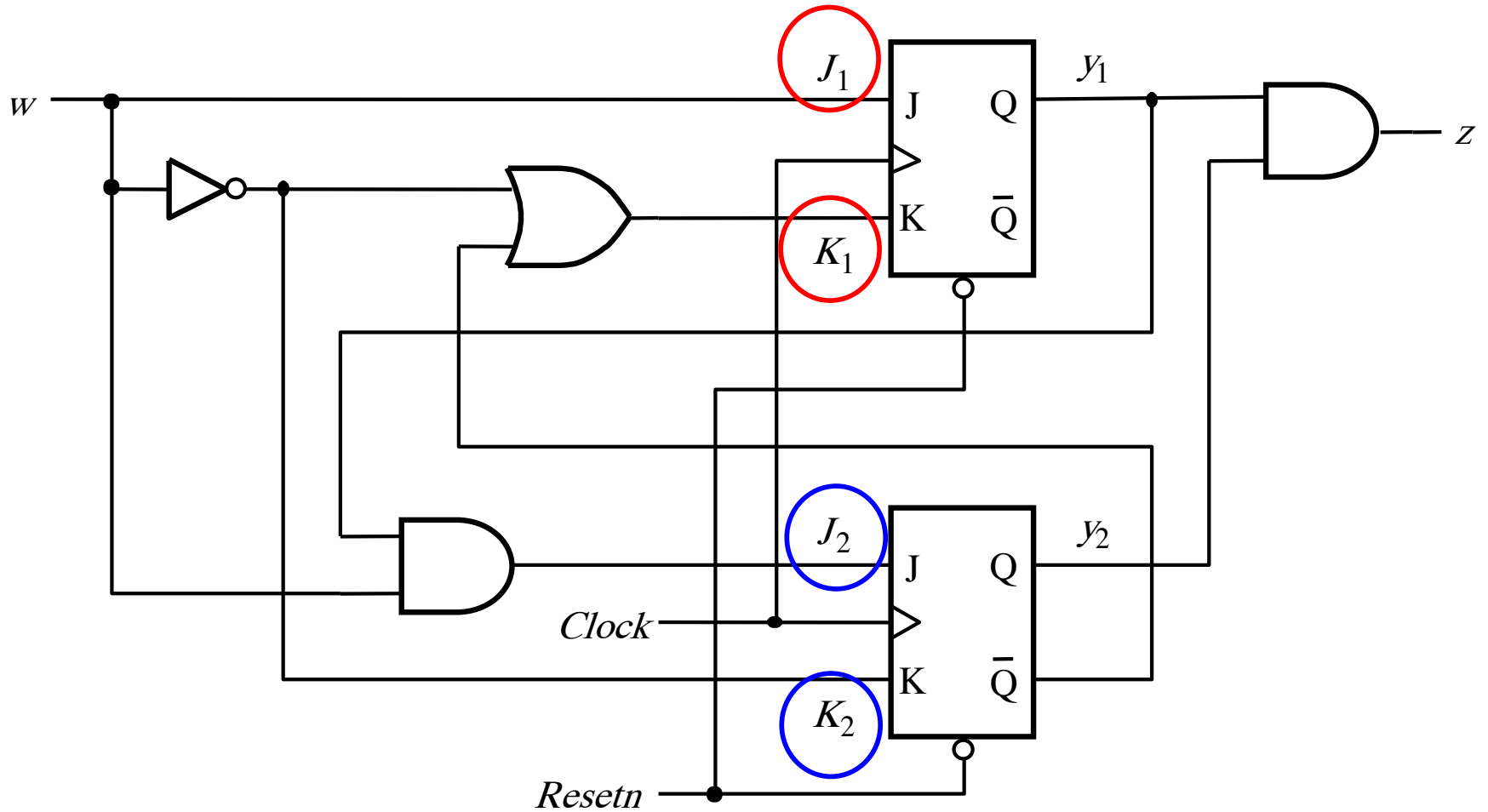
# Where are the inputs of the flip-flops?



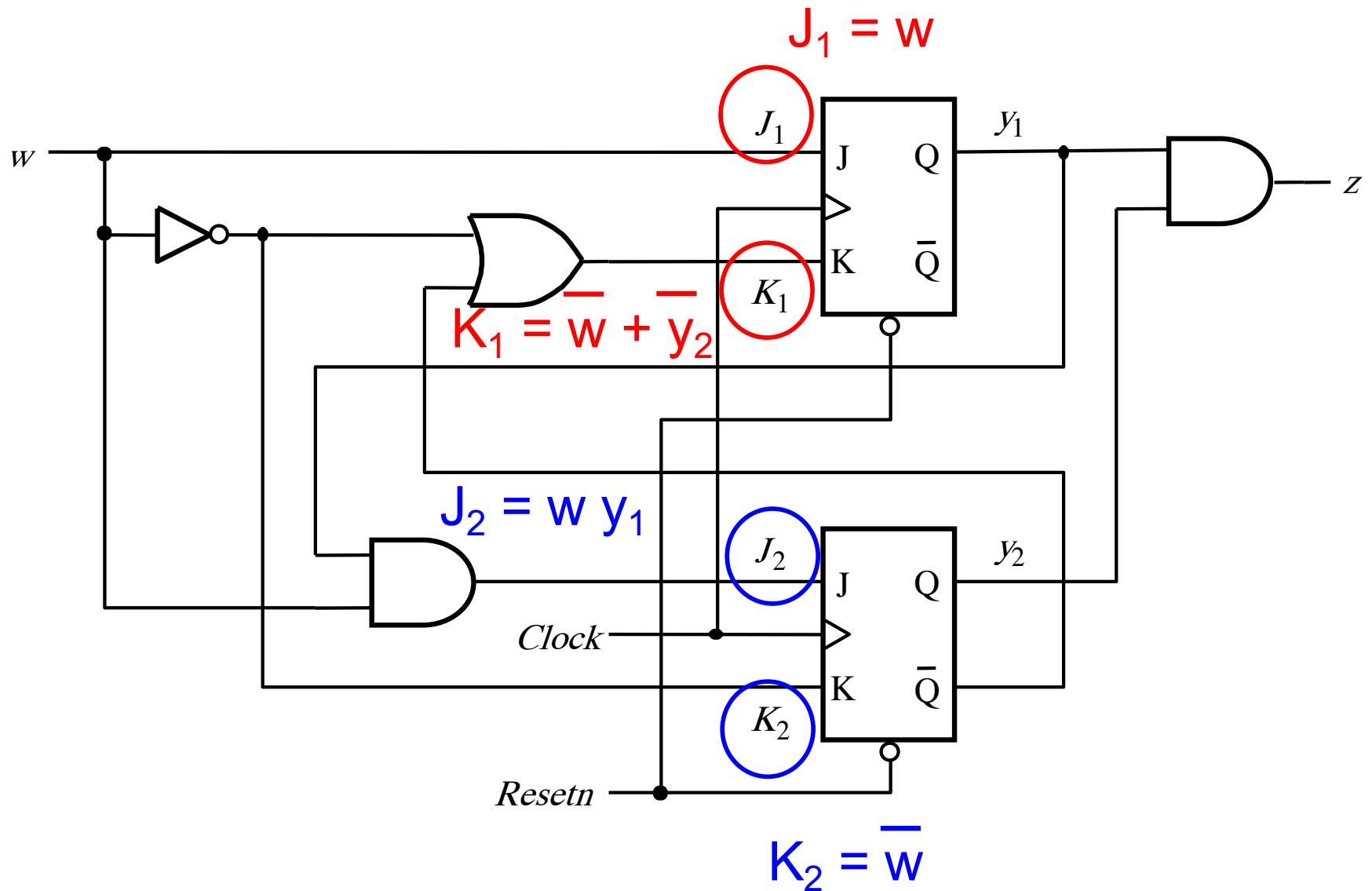
# Where are the inputs of the flip-flops?



# What are their logic expressions?

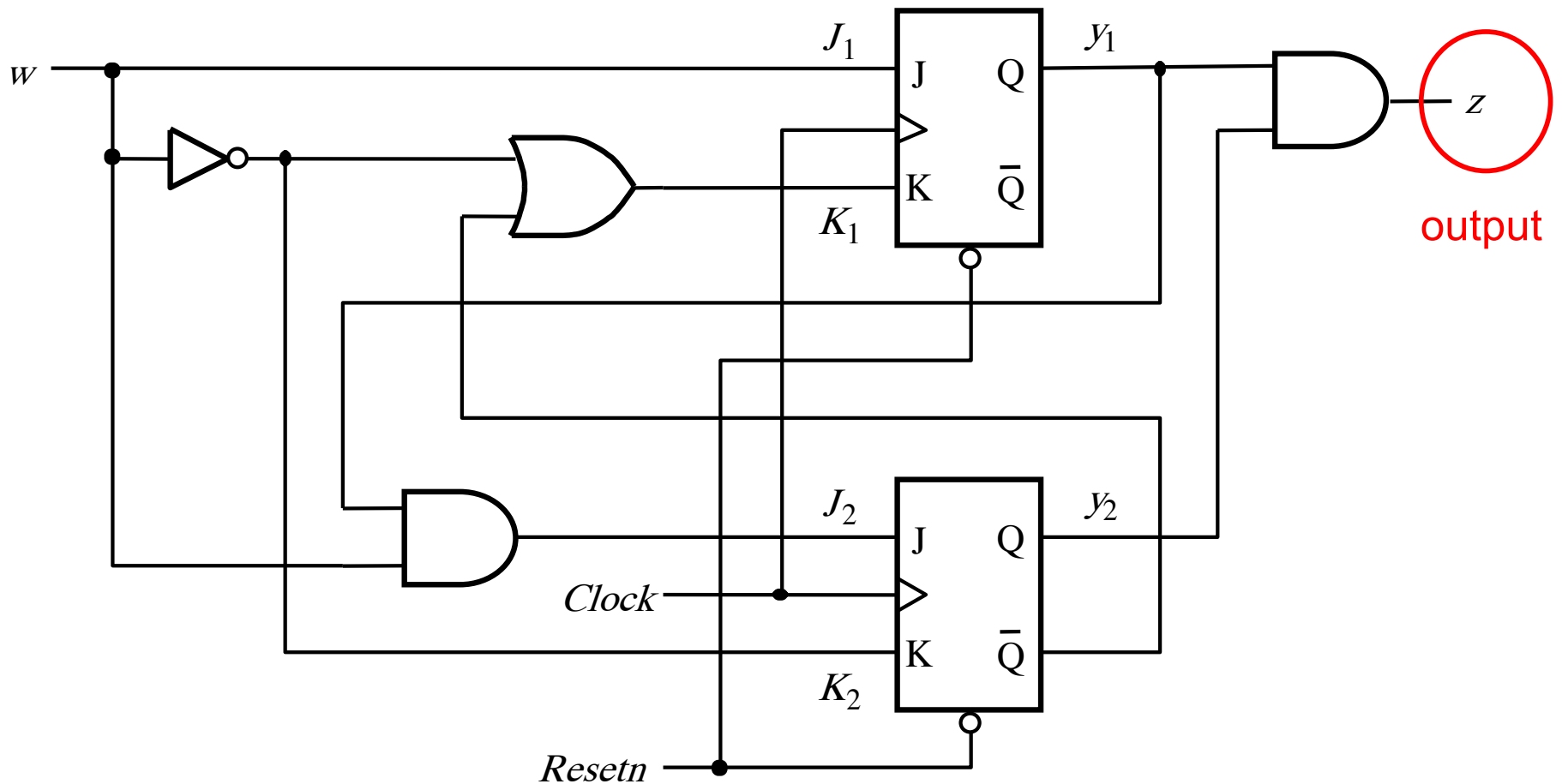


# What are their logic expressions?

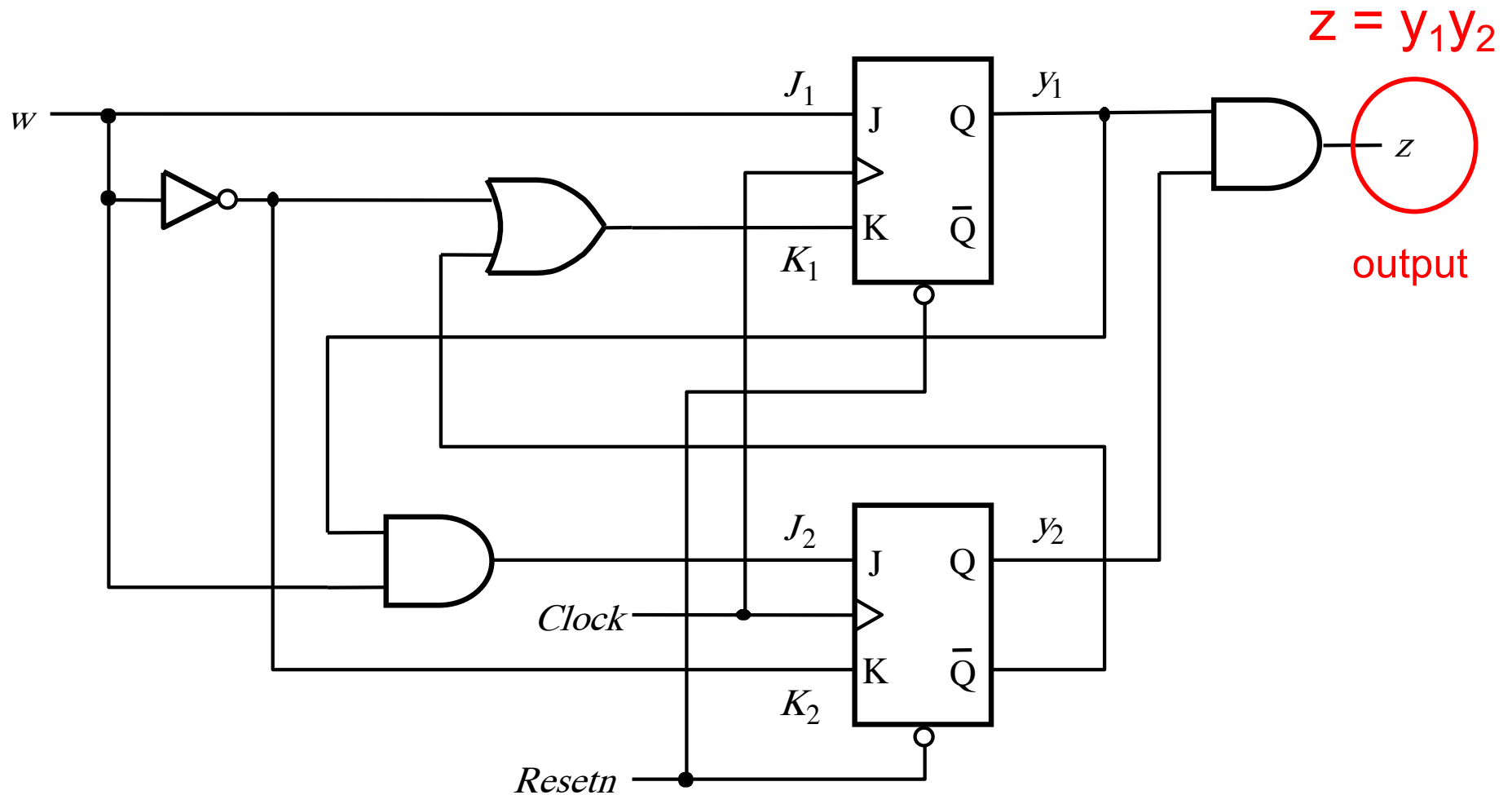




# What is the logic expression of the output?



# What is the logic expression of the output?



**This is what we have to work with now  
(we don't need the circuit anymore)**

$$J_1 = w$$

$$K_1 = \bar{w} + \bar{y}_2$$

$$J_2 = w y_1$$

$$K_2 = \bar{w}$$

$$z = y_1 y_2$$

# Let's derive the excitation table

$$J_1 = w$$

$$K_1 = \bar{w} + \bar{y}_2$$

$$J_2 = w y_1$$

$$K_2 = \bar{w}$$

$$z = y_1 y_2$$

Present state $y_2 y_1$	Flip-flop inputs				Output $z$
	$w = 0$		$w = 1$		
	$J_2 K_2$	$J_1 K_1$	$J_2 K_2$	$J_1 K_1$	
00					
01					
10					
11					

# Let's derive the excitation table

$$J_1 = w$$

$$K_1 = \bar{w} + \bar{y}_2$$

$$J_2 = w y_1$$

$$K_2 = \bar{w}$$

Present state $y_2y_1$	Flip-flop inputs				Output $z$
	$w = 0$		$w = 1$		
	$J_2K_2$	$J_1K_1$	$J_2K_2$	$J_1K_1$	
00					
01					
10					
11					

$$z = y_1y_2$$

# Let's derive the excitation table

$$J_1 = w$$

$$K_1 = \bar{w} + \bar{y}_2$$

$$J_2 = w y_1$$

$$K_2 = \bar{w}$$

Present state $y_2y_1$	Flip-flop inputs				Output $z$
	$w = 0$		$w = 1$		
	$J_2K_2$	$J_1K_1$	$J_2K_2$	$J_1K_1$	
00					0
01					0
10					0
11					1

$$z = y_1y_2$$

# Let's derive the excitation table

$$J_1 = w$$

$$K_1 = \bar{w} + \bar{y}_2$$

$$J_2 = w y_1$$

$$K_2 = \bar{w}$$

$$z = y_1 y_2$$

Present state $y_2 y_1$	Flip-flop inputs				Output $z$
	$w = 0$		$w = 1$		
	$J_2 K_2$	$J_1 K_1$	$J_2 K_2$	$J_1 K_1$	
00					0
01					0
10					0
11					1

# Let's derive the excitation table

$$J_1 = w$$

$$K_1 = \bar{w} + \bar{y}_2$$

$$J_2 = w y_1$$

$$K_2 = \bar{w}$$

$$z = y_1 y_2$$

Present state $y_2 y_1$	Flip-flop inputs				Output $z$
	$w = 0$		$w = 1$		
	$J_2 K_2$	$J_1 K_1$	$J_2 K_2$	$J_1 K_1$	
00		01		11	0
01		01		11	0
10		01		10	0
11		01		10	1



# Let's derive the excitation table

$$J_1 = w$$

$$K_1 = \bar{w} + \bar{y}_2$$

$$J_2 = w y_1$$

$$K_2 = \bar{w}$$

Present state $y_2y_1$	Flip-flop inputs				Output $z$
	$w = 0$		$w = 1$		
	$J_2K_2$	$J_1K_1$	$J_2K_2$	$J_1K_1$	
00		01		11	0
01		01		11	0
10		01		10	0
11		01		10	1

$$z = y_1y_2$$

# The excitation table

$$J_1 = w$$

$$K_1 = \bar{w} + \bar{y}_2$$

$$J_2 = w y_1$$

$$K_2 = \bar{w}$$

$$z = y_1 y_2$$

Present state $y_2 y_1$	Flip-flop inputs				Output $z$
	$w = 0$		$w = 1$		
	$J_2 K_2$	$J_1 K_1$	$J_2 K_2$	$J_1 K_1$	
00	01	01	00	11	0
01	01	01	10	11	0
10	01	01	00	10	0
11	01	01	10	10	1

# We don't need the logic expressions anymore

$$J_1 = w$$

$$K_1 = \bar{w} + \bar{y}_2$$

$$J_2 = w y_1$$

$$K_2 = \bar{w}$$

$$z = y_1 y_2$$

Present state $y_2 y_1$	Flip-flop inputs				Output $z$
	$w = 0$		$w = 1$		
	$J_2 K_2$	$J_1 K_1$	$J_2 K_2$	$J_1 K_1$	
00	01	01	00	11	0
01	01	01	10	11	0
10	01	01	00	10	0
11	01	01	10	10	1

# We don't need the logic expressions anymore

Present state $y_2y_1$	Flip-flop inputs				Output $z$
	$w = 0$		$w = 1$		
	$J_2K_2$	$J_1K_1$	$J_2K_2$	$J_1K_1$	
00	01	01	00	11	0
01	01	01	10	11	0
10	01	01	00	10	0
11	01	01	10	10	1

# Let's derive the state table

Present state	Next state		Output z
	w = 0	w = 1	

State table

Present state $y_2y_1$	Flip-flop inputs				Output z
	w = 0		w = 1		
	$J_2K_2$	$J_1K_1$	$J_2K_2$	$J_1K_1$	
00	01	01	00	11	0
01	01	01	10	11	0
10	01	01	00	10	0
11	01	01	10	10	1

Excitation table

# Let's derive the state table

Present state	Next state		Output z
	w = 0	w = 1	
A			
B			
C			
D			

Present state $y_2y_1$	Flip-flop inputs				Output z
	w = 0		w = 1		
	$J_2K_2$	$J_1K_1$	$J_2K_2$	$J_1K_1$	
00	01	01	00	11	0
01	01	01	10	11	0
10	01	01	00	10	0
11	01	01	10	10	1

State table

Excitation table

This step is easy  
(map 2-bit numbers to 4 letters)

# Let's derive the state table

Present state	Next state		Output z
	w = 0	w = 1	
A			0
B			0
C			0
D			1

State table

Present state $y_2y_1$	Flip-flop inputs				Output z
	w = 0		w = 1		
	$J_2K_2$	$J_1K_1$	$J_2K_2$	$J_1K_1$	
00	01	01	00	11	0
01	01	01	10	11	0
10	01	01	00	10	0
11	01	01	10	10	1

Excitation table

This step is easy too  
(the outputs are the same in both tables)

# Let's derive the state table

Present state	Next state		Output z
	w = 0	w = 1	
A	?		0
B			0
C			0
D			1

State table

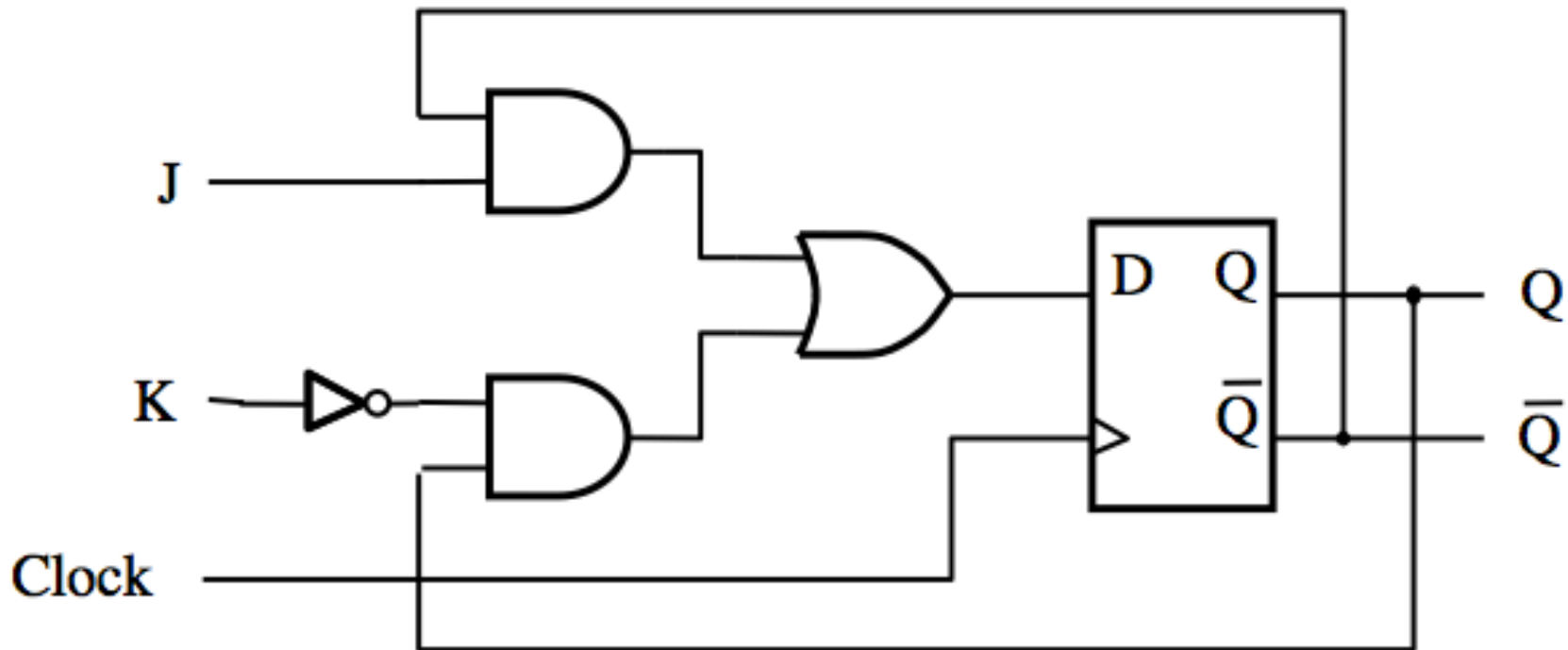
Present state $y_2y_1$	Flip-flop inputs				Output z
	w = 0		w = 1		
	$J_2K_2$	$J_1K_1$	$J_2K_2$	$J_1K_1$	
00	01	01	00	11	0
01	01	01	10	11	0
10	01	01	00	10	0
11	01	01	10	10	1

Excitation table

How should we do this?

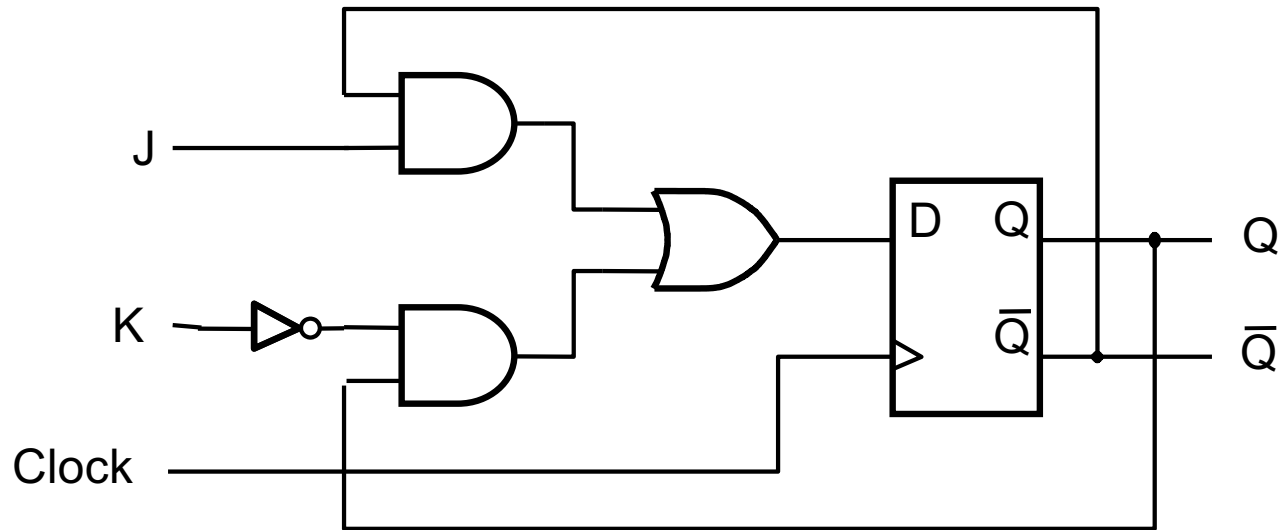


# JK Flip-Flop Refresher



$$D = J\bar{Q} + \bar{K}Q$$

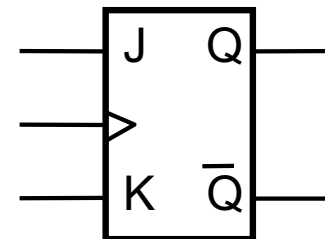
# JK Flip-Flop Refresher



(a) Circuit

J	K	$Q(t+1)$
0	0	$Q(t)$
0	1	0
1	0	1
1	1	$\bar{Q}(t)$

(b) Truth table



(c) Graphical symbol

# Let's derive the state table

Present state	Next state		Output z
	w = 0	w = 1	
A	?		0
B			0
C			0
D			1

State table

Present state $y_2y_1$	Flip-flop inputs				Output z
	w = 0		w = 1		
	$J_2K_2$	$J_1K_1$	$J_2K_2$	$J_1K_1$	
00	01	01	00	11	0
01	01	01	10	11	0
10	01	01	00	10	0
11	01	01	10	10	1

Excitation table

How should we do this?

# Let's derive the state table

Present state	Next state		Output z
	w = 0	w = 1	
A			0
B			0
C			0
D			1

Present state $y_2y_1$	Flip-flop inputs				Output z
	w = 0		w = 1		
	$J_2K_2$	$J_1K_1$	$J_2K_2$	$J_1K_1$	
00	01	01	00	11	0
01	01	01	10	11	0
10	01	01	00	10	0
11	01	01	10	10	1

J K	Q(t+1)
0 0	Q(t)
0 1	0
1 0	1
1 1	$\bar{Q}(t)$

# Let's derive the state table

Present state	Next state		Output z
	w = 0	w = 1	
A			0
B			0
C			0
D			1

Present state $y_2y_1$	Flip-flop inputs				Output z
	w = 0		w = 1		
	$J_2K_2$	$J_1K_1$	$J_2K_2$	$J_1K_1$	
00	01	01	00	11	0
01	01	01	10	11	0
10	01	01	00	10	0
11	01	01	10	10	1

J	K	$Q(t+1)$	J	K	$Q(t+1)$
0	0	$Q(t)$	0	0	$Q(t)$
0	1	0	0	1	0
1	0	1	1	0	1
1	1	$\bar{Q}(t)$	1	1	$\bar{Q}(t)$

# Let's derive the state table

Present state	Next state		Output z
	w = 0	w = 1	
A	A		0
B			0
C			0
D			1

Present state $y_2y_1$	Flip-flop inputs				Output z
	w = 0		w = 1		
	$J_2K_2$	$J_1K_1$	$J_2K_2$	$J_1K_1$	
00	01	01	00	11	0
01	01	01	10	11	0
10	01	01	00	10	0
11	01	01	10	10	1

Note that A = 00

J	K	Q(t+1)	J	K	Q(t+1)
0	0	Q(t)	0	0	Q(t)
0	1	0	0	1	0
1	0	1	1	0	1
1	1	$\bar{Q}(t)$	1	1	$\bar{Q}(t)$

# Let's derive the state table

Present state	Next state		Output z
	w = 0	w = 1	
A	A	<span style="border: 1px solid red; padding: 2px;">?</span>	0
B			0
C			0
D			1

Present state $y_2y_1$	Flip-flop inputs				Output z
	w = 0		w = 1		
	$J_2K_2$	$J_1K_1$	$J_2K_2$	$J_1K_1$	
00	01	01	00	11	0
01	01	01	10	11	0
10	01	01	00	10	0
11	01	01	10	10	1

J	K	Q(t+1)
0	0	Q(t)
0	1	0
1	0	1
1	1	$\bar{Q}(t)$

J	K	Q(t+1)
0	0	Q(t)
0	1	0
1	0	1
1	1	$\bar{Q}(t)$

# Let's derive the state table

Present state	Next state		Output z
	w = 0	w = 1	
A	A		0
B	A		0
C	A		0
D	A		1

Present state $y_2y_1$	Flip-flop inputs				Output z
	w = 0		w = 1		
	$J_2K_2$	$J_1K_1$	$J_2K_2$	$J_1K_1$	
00	01	01	00	11	0
01	01	01	10	11	0
10	01	01	00	10	0
11	01	01	10	10	1

J K	Q(t+1)	J K	Q(t+1)
0 0	Q(t)	0 0	Q(t)
0 1	0	0 1	0
1 0	1	1 0	1
1 1	$\bar{Q}(t)$	1 1	$\bar{Q}(t)$



# Let's derive the state table

Present state	Next state		Output z
	w = 0	w = 1	
A	A		0
B			0
C			0
D			1

Present state $y_2y_1$	Flip-flop inputs				Output z
	w = 0		w = 1		
	$J_2K_2$	$J_1K_1$	$J_2K_2$	$J_1K_1$	
00	01	01	00	11	0
01	01	01	10	11	0
10	01	01	00	10	0
11	01	01	10	10	1

J	K	$Q(t+1)$	J	K	$Q(t+1)$
0	0	$Q(t)$	0	0	$Q(t)$
0	1	0	0	1	0
1	0	1	1	0	1
1	1	$\bar{Q}(t)$	1	1	$\bar{Q}(t)$

# Let's derive the state table

Present state	Next state		Output z
	w = 0	w = 1	
A	A		0
B	A		0
C	A		0
D	A		1

Present state $y_2y_1$	Flip-flop inputs				Output z
	w = 0		w = 1		
	$J_2K_2$	$J_1K_1$	$J_2K_2$	$J_1K_1$	
00	01	01	00	11	0
01	01	01	10	11	0
10	01	01	00	10	0
11	01	01	10	10	1

J	K	$Q(t+1)$	J	K	$Q(t+1)$
0	0	$Q(t)$	0	0	$Q(t)$
0	1	0	0	1	0
1	0	1	1	0	1
1	1	$\bar{Q}(t)$	1	1	$\bar{Q}(t)$

01

10

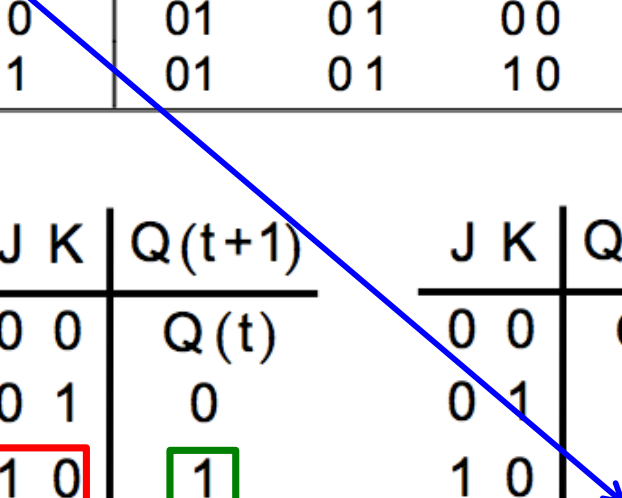
11

10

1

11

$\bar{Q}(t)$



# Let's derive the state table

Present state	Next state		Output z
	w = 0	w = 1	
A	A		0
B	A		0
C	A		0
D	A		1

Present state $y_2y_1$	Flip-flop inputs				Output z
	w = 0		w = 1		
	$J_2K_2$	$J_1K_1$	$J_2K_2$	$J_1K_1$	
00	01	01	00	11	0
01	01	01	10	11	0
10	01	01	00	10	0
11	01	01	10	10	1

J	K	$Q(t+1)$	J	K	$Q(t+1)$
0	0	$Q(t)$	0	0	$Q(t)$
0	1	0	0	1	0
1	0	1	1	0	1
1	1	$\bar{Q}(t)$	1	1	$\bar{Q}(t)$ = $\overline{1} = 0$

# Let's derive the state table

Present state	Next state		Output z
	w = 0	w = 1	
A	A		0
B		C	0
C			0
D			1

Present state $y_2y_1$	Flip-flop inputs				Output z
	w = 0		w = 1		
	$J_2K_2$	$J_1K_1$	$J_2K_2$	$J_1K_1$	
00	01	01	00	11	0
01	01	01	10	11	0
10	01	01	00	10	0
11	01	01	10	10	1

Note that C = 10

J	K	$Q(t+1)$	J	K	$Q(t+1)$
0	0	$Q(t)$	0	0	$Q(t)$
0	1	0	0	1	0
1	0	1	1	0	1
1	1	$\bar{Q}(t)$	1	1	$\bar{Q}(t)$ = 0

# The two tables for the initial circuit

Present state	Next state		Output z
	w = 0	w = 1	
A	A	B	0
B	A	C	0
C	A	D	0
D	A	D	1

State table

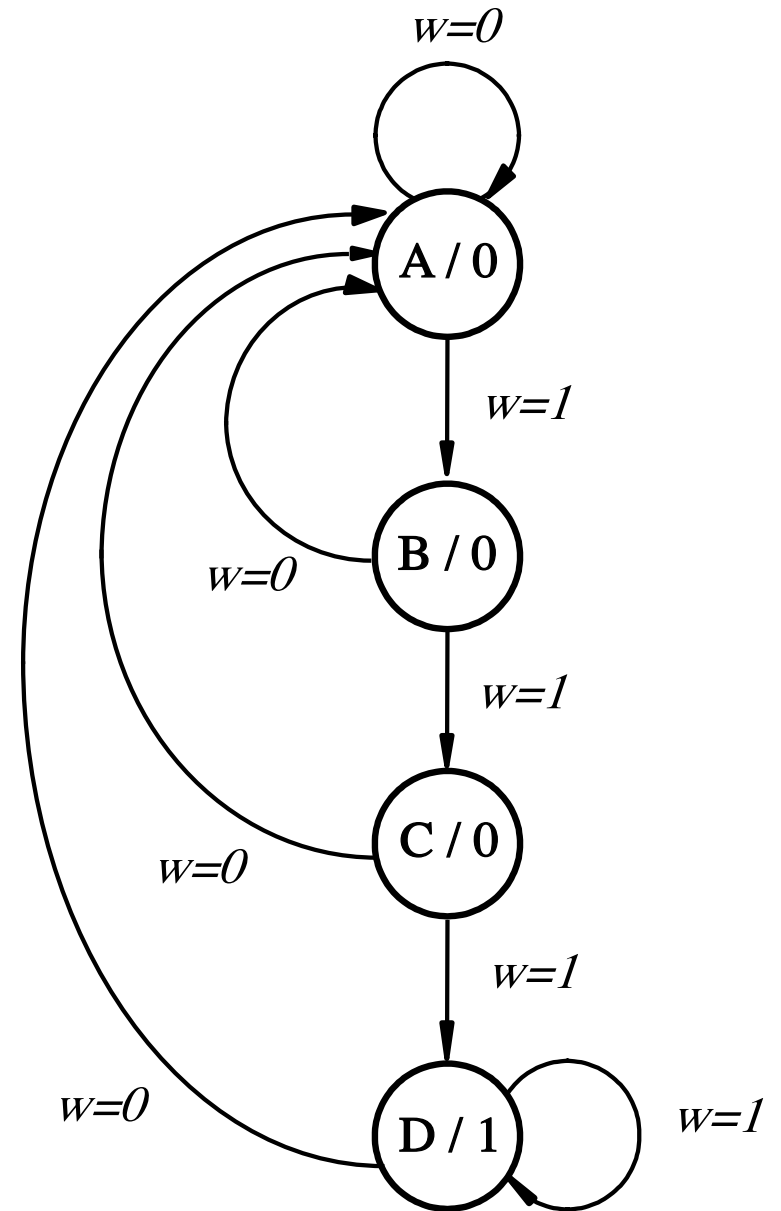
Present state $y_2y_1$	Flip-flop inputs				Output z
	w = 0		w = 1		
	$J_2K_2$	$J_1K_1$	$J_2K_2$	$J_1K_1$	
00	01	01	00	11	0
01	01	01	10	11	0
10	01	01	00	10	0
11	01	01	10	10	1

Excitation table

# The state diagram

Present state	Next state		Output z
	w = 0	w = 1	
A	A	B	0
B	A	C	0
C	A	D	0
D	A	D	1

State table



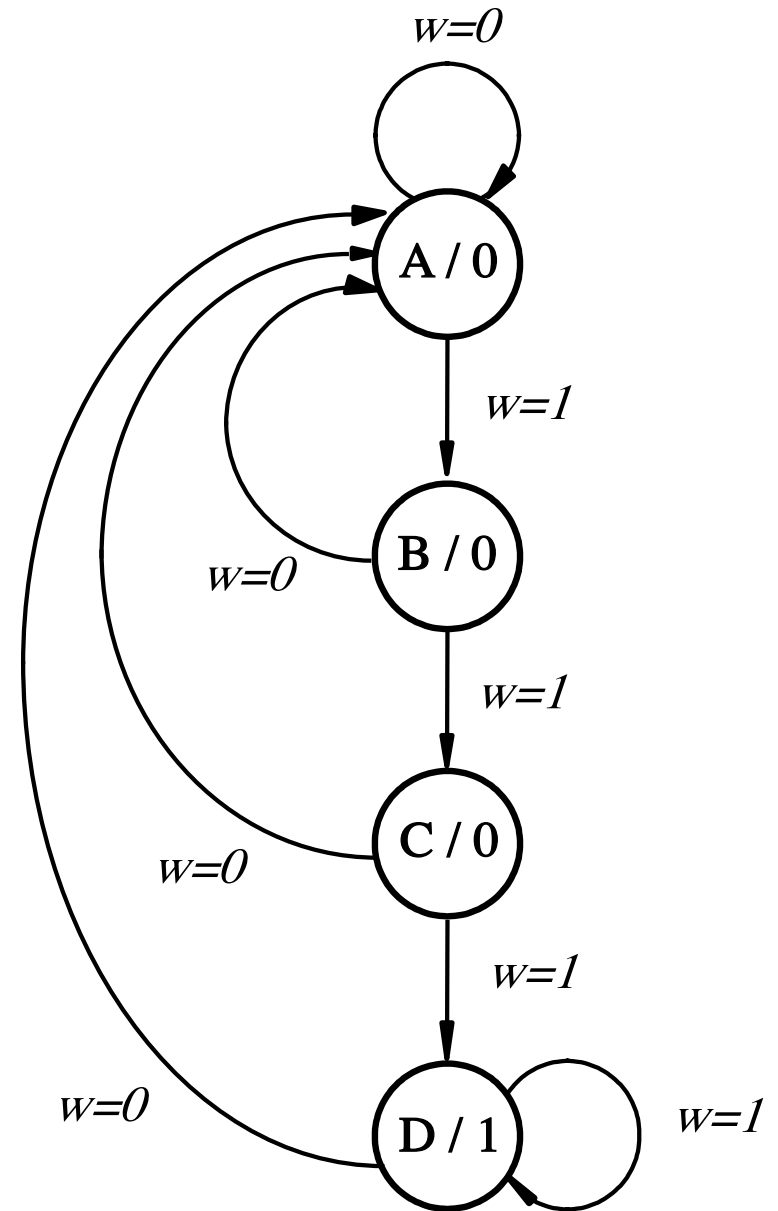
State diagram

# The state diagram

Thus, this FSM is identical to the one in the previous example, even though the circuit uses JK flip-flops.

Present state	Next state		Output z
	w = 0	w = 1	
A	A	B	0
B	A	C	0
C	A	D	0
D	A	D	1

State table

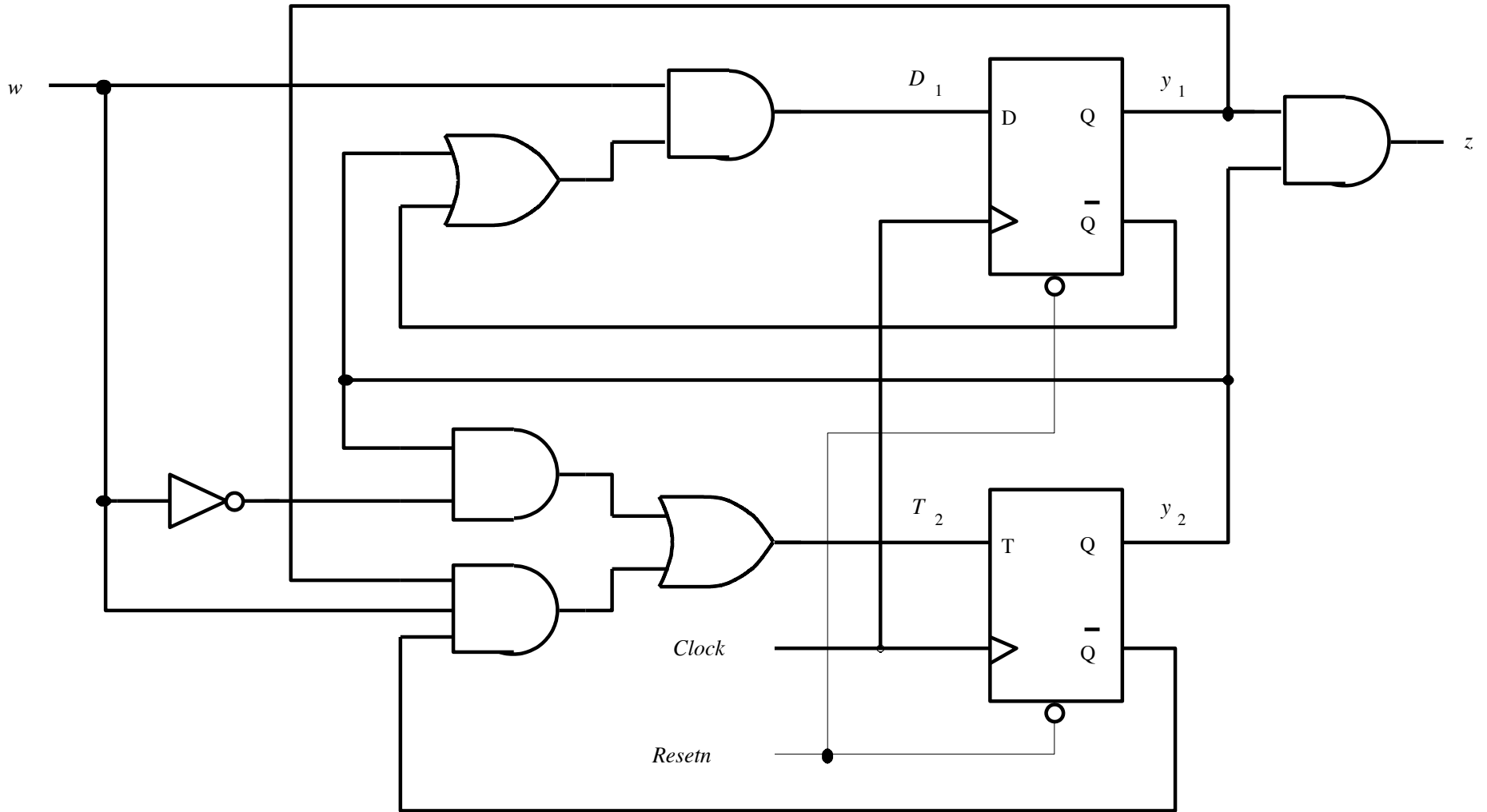


State diagram

# **Yet Another Example (with mixed flip-flops)**



# What does this circuit do?

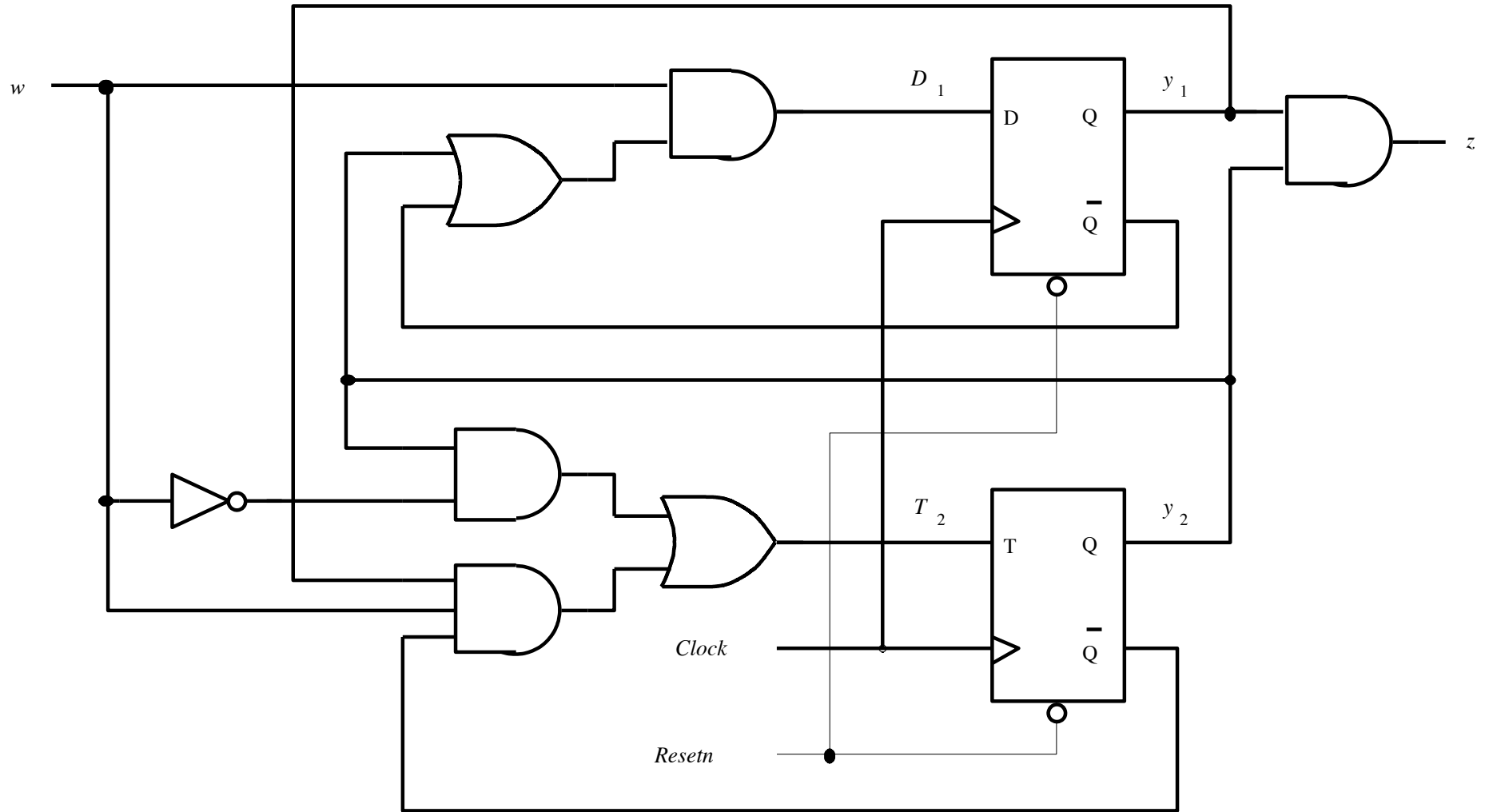


[ Figure 6.79 from the textbook ]

# Approach

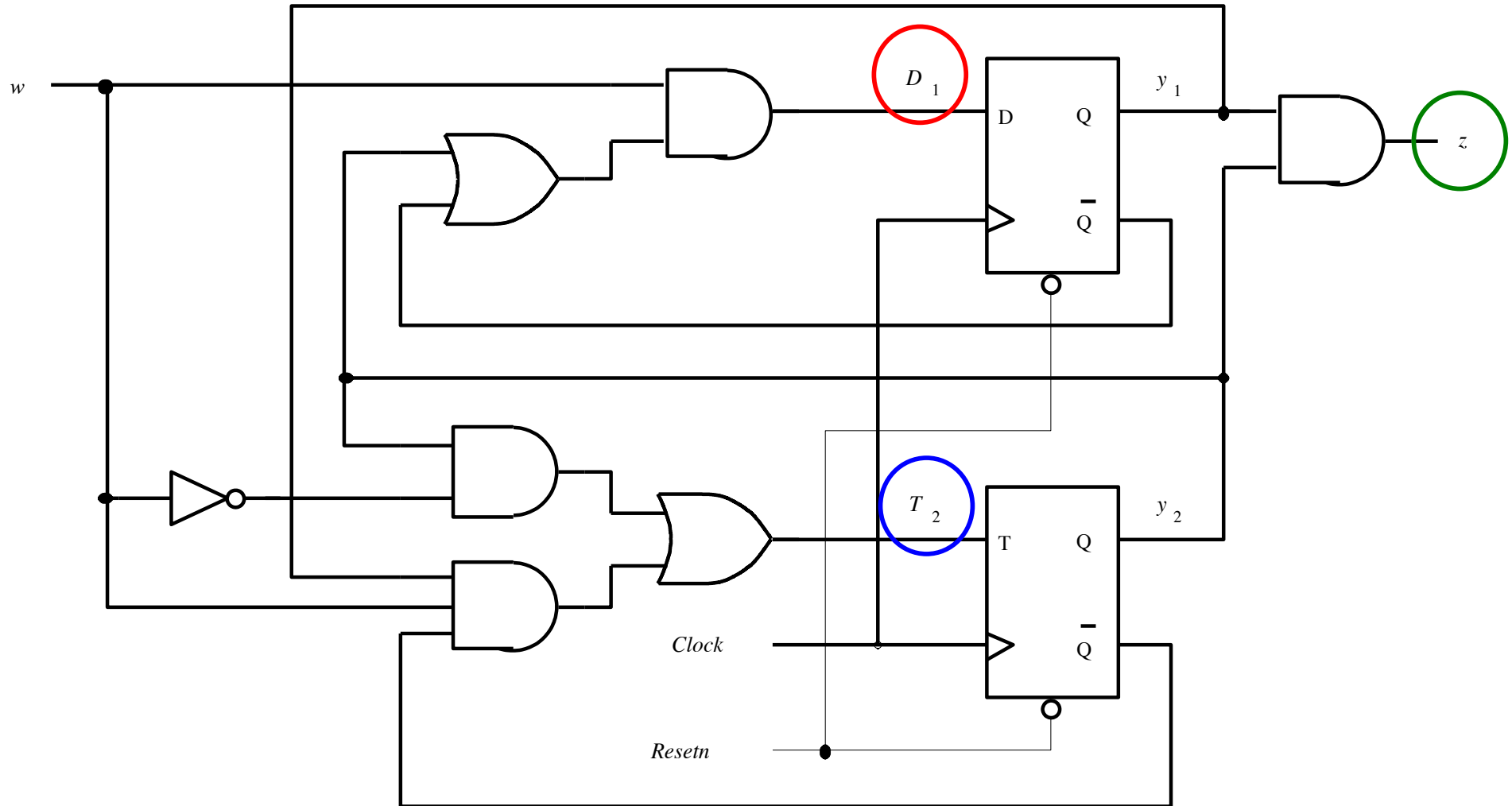
- **Find the flip-flops**
- **Outputs of the flip-flops = present state variables**
- **Inputs of the flip-flops determine the next state variables**
- **Determine the logical expressions for the outputs**
- **Given this info it is easy to do the state-assigned table**
- **Next do the state table**
- **Finally, draw the state diagram.**

# What are the logic expressions?



[ Figure 6.79 from the textbook ]

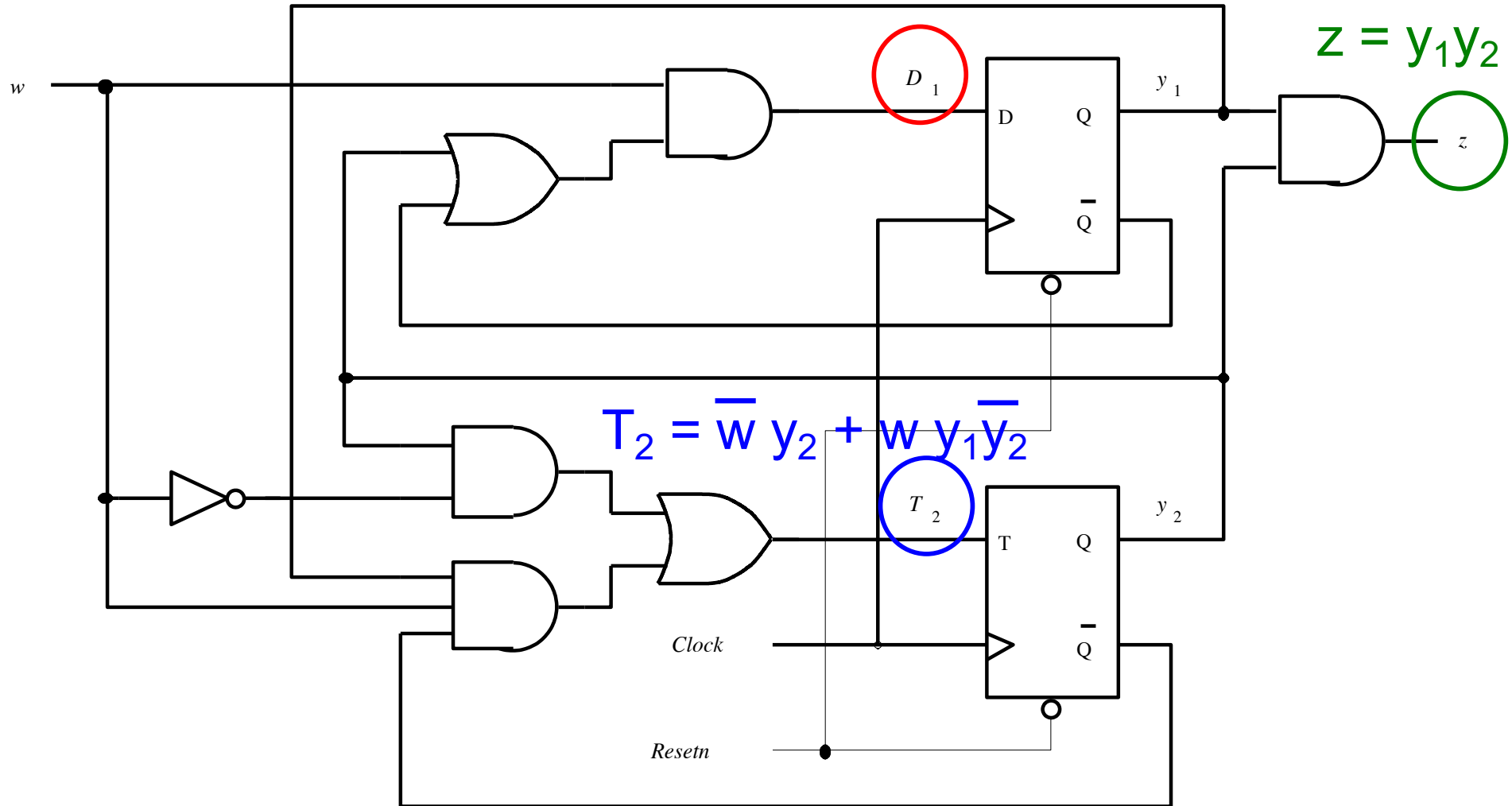
# What are the logic expressions?



# What are the logic expressions?

$$D_1 = w (\bar{y}_1 + y_2)$$

$$z = y_1 y_2$$



# The Excitation Table

$$D_1 = w (\bar{y}_1 + y_2)$$

$$T_2 = \bar{w} y_2 + w y_1 \bar{y}_2$$

$$z = y_1 y_2$$

Present state $y_2 y_1$	Flip-flop inputs		Output $z$
	$w = 0$	$w = 1$	
	$T_2 D_1$	$T_2 D_1$	
00	00	01	0
01	00	10	0
10	10	01	0
11	10	01	1

Excitation table

# Let's derive the state table

Present state	Next state		Output z
	w = 0	w = 1	

Present state $y_2y_1$	Flip-flop inputs		Output z
	w = 0	w = 1	
	$T_2D_1$	$T_2D_1$	
00	00	01	0
01	00	10	0
10	10	01	0
11	10	01	1

# Let's derive the state table

Present state	Next state		Output z
	w = 0	w = 1	
A			
B			
C			
D			

Present state $y_2y_1$	Flip-flop inputs		Output z
	w = 0	w = 1	
	$T_2D_1$	$T_2D_1$	
00	00	01	0
01	00	10	0
10	10	01	0
11	10	01	1

This step is easy  
(map 2-bit numbers to 4 letters)



# Let's derive the state table

Present state	Next state		Output z
	w = 0	w = 1	
A			0
B			0
C			0
D			1

Present state $y_2y_1$	Flip-flop inputs		Output z
	w = 0	w = 1	
	$T_2D_1$	$T_2D_1$	
00	00	01	0
01	00	10	0
10	10	01	0
11	10	01	1

This step is easy too  
(the outputs are the same in both tables)

# Let's derive the state table

Present state	Next state		Output z
	w = 0	w = 1	
A	?		0
B			0
C			0
D			1

Present state $y_2y_1$	Flip-flop inputs		Output z
	w = 0	w = 1	
	$T_2D_1$	$T_2D_1$	
00	00	01	0
01	00	10	0
10	10	01	0
11	10	01	1

What should we do here?

# Let's derive the state table

Present state	Next state		Output z
	w = 0	w = 1	
A	?		0
B			0
C			0
D			1

Present state $y_2y_1$	Flip-flop inputs		Output z
	w = 0	w = 1	
	$T_2D_1$	$T_2D_1$	
00	00	01	0
01	00	10	0
10	10	01	0
11	10	01	1

What should we do here?

T	$Q(t+1)$	D	$Q(t+1)$
0	$Q(t)$	0	0
1	$\overline{Q(t)}$	1	1

# Let's derive the state table

Present state	Next state		Output z
	w = 0	w = 1	
A			0
B			0
C			0
D			1

Present state $y_2y_1$	Flip-flop inputs		Output z
	w = 0	w = 1	
	$T_2D_1$	$T_2D_1$	
00	00	01	0
01	00	10	0
10	10	01	0
11	10	01	1

T	$Q(t+1)$	D	$Q(t+1)$
0	$Q(t)$	0	0
1	$\overline{Q(t)}$	1	1

# Let's derive the state table

Present state	Next state		Output z
	w = 0	w = 1	
A			0
B			0
C			0
D			1

Present state $y_2y_1$	Flip-flop inputs		Output z
	w = 0	w = 1	
	$T_2D_1$	$T_2D_1$	
00	00	01	0
01	00	10	0
10	10	01	0
11	10	01	1

T	$Q(t+1)$	D	$Q(t+1)$
0	$Q(t)$	0	0
1	$\overline{Q(t)}$	1	1

# Let's derive the state table

Present state	Next state		Output z
	w = 0	w = 1	
A			0
B			0
C			0
D			1

Present state $y_2y_1$	Flip-flop inputs		Output z
	w = 0	w = 1	
	$T_2D_1$	$T_2D_1$	
00	00	01	0
01	00	10	0
10	10	01	0
11	10	01	1

T	$Q(t+1)$	D	$Q(t+1)$
0	$Q(t)$	0	0
1	$\overline{Q(t)}$	1	1

# Let's derive the state table

Present state	Next state		Output z
	w = 0	w = 1	
A			0
B			0
C			0
D			1

Present state $y_2y_1$	Flip-flop inputs		Output z
	w = 0	w = 1	
	$T_2D_1$	$T_2D_1$	
00	00	01	0
01	00	10	0
10	10	01	0
11	10	01	1

T	$Q(t+1)$	D	$Q(t+1)$
0	0	0	0
1	$\overline{Q(t)}$	1	1

# Let's derive the state table

Present state	Next state		Output z
	w = 0	w = 1	
A			0
B			0
C			0
D			1

Present state $y_2y_1$	Flip-flop inputs		Output z
	w = 0	w = 1	
	$T_2D_1$	$T_2D_1$	
00	00	01	0
01	00	10	0
10	10	01	0
11	10	01	1

T	$Q(t+1)$	D	$Q(t+1)$
0	0	0	0
1	$\overline{Q(t)}$	1	1



# Let's derive the state table

Present state	Next state		Output z
	w = 0	w = 1	
A			0
B			0
C			0
D			1

Present state $y_2y_1$	Flip-flop inputs		Output z
	w = 0	w = 1	
	$T_2D_1$	$T_2D_1$	
00	00	01	0
01	00	10	0
10	10	01	0
11	10	01	1

T	$Q(t+1)$	D	$Q(t+1)$
0	0	0	0
1	$\overline{Q(t)}$	1	1

# Let's derive the state table

Present state	Next state		Output z
	w = 0	w = 1	
A	A		0
B			0
C			0
D			1

Present state $y_2y_1$	Flip-flop inputs		Output z
	w = 0	w = 1	
	$T_2D_1$	$T_2D_1$	
00	00	01	0
01	00	10	0
10	10	01	0
11	10	01	1

Note that A = 00

T	$Q(t+1)$	D	$Q(t+1)$
0	0	0	0
1	$\overline{Q(t)}$	1	1

# Let's derive the state table

Present state	Next state		Output z
	w = 0	w = 1	
A	A		0
B			0
C		?	0
D			1

Present state $y_2y_1$	Flip-flop inputs		Output z
	w = 0	w = 1	
	$T_2D_1$	$T_2D_1$	
00	00	01	0
01	00	10	0
10	10	01	0
11	10	01	1

What should we do here?

T	$Q(t+1)$	D	$Q(t+1)$
0	$Q(t)$	0	0
1	$\overline{Q(t)}$	1	1

# Let's derive the state table

Present state	Next state		Output z
	w = 0	w = 1	
A	A		0
B			0
C			0
D			1

Present state $y_2y_1$	Flip-flop inputs		Output z
	w = 0	w = 1	
	$T_2D_1$	$T_2D_1$	
00	00	01	0
01	00	10	0
10	10	01	0
11	10	01	1

T	$Q(t+1)$	D	$Q(t+1)$
0	$Q(t)$	0	0
1	$\overline{Q(t)}$	1	1

# Let's derive the state table

Present state	Next state		Output z
	w = 0	w = 1	
A	A		0
B			0
C			0
D			1

Present state $y_2y_1$	Flip-flop inputs		Output z
	w = 0	w = 1	
	$T_2D_1$	$T_2D_1$	
00	00	01	0
01	00	10	0
10	10	01	0
11	10	01	1

T	$Q(t+1)$	D	$Q(t+1)$
0	$Q(t)$	0	0
1	$\overline{Q(t)}$	1	1

# Let's derive the state table

Present state	Next state		Output z
	w = 0	w = 1	
A	A		0
B	A		0
C	A		0
D	A		1

Present state $y_2y_1$	Flip-flop inputs		Output z
	w = 0	w = 1	
	$T_2D_1$	$T_2D_1$	
00	00	01	0
01	00	10	0
10	10	01	0
11	10	01	1

T	$Q(t+1)$	D	$Q(t+1)$
0	$Q(t)$	0	0
1	$\overline{Q(t)}$	1	1

# Let's derive the state table

Present state	Next state		Output z
	w = 0	w = 1	
A	A		0
B	A		0
C	A		0
D	A		1

Present state $y_2y_1$	Flip-flop inputs		Output z
	w = 0	w = 1	
	$T_2D_1$	$T_2D_1$	
00	00	01	0
01	00	10	0
10	10	01	0
11	10	01	1

T	$Q(t+1)$	D	$Q(t+1)$
0	1	0	0
1	$\overline{Q(t)}$	1	1

# Let's derive the state table

Present state	Next state		Output z
	w = 0	w = 1	
A	A		0
B			0
C			0
D			1

Present state $y_2y_1$	Flip-flop inputs		Output z
	w = 0	w = 1	
	$T_2D_1$	$T_2D_1$	
00	00	01	0
01	00	10	0
10	10	01	0
11	10	01	1

T	$Q(t+1)$	D	$Q(t+1)$
0	1	0	0
1	$\overline{Q(t)}$	1	1



# Let's derive the state table

Present state	Next state		Output z
	w = 0	w = 1	
A	A		0
B			0
C			0
D			1

Present state $y_2y_1$	Flip-flop inputs		Output z
	w = 0	w = 1	
	$T_2D_1$	$T_2D_1$	
00	00	01	0
01	00	10	0
10	10	01	0
11	10	01	1

T	$Q(t+1)$	D	$Q(t+1)$
0	1	0	0
1	$\overline{Q}(t)$	1	1

# Let's derive the state table

Present state	Next state		Output z
	w = 0	w = 1	
A	A		0
B			0
C		D	0
D			1

Present state $y_2y_1$	Flip-flop inputs		Output z
	w = 0	w = 1	
	$T_2D_1$	$T_2D_1$	
00	00	01	0
01	00	10	0
10	10	01	0
11	10	01	1

Note that D = 11

T	$Q(t+1)$	D	$Q(t+1)$
0	1	0	0
1	$\bar{Q}(t)$	1	1

# Let's derive the state table

Present state	Next state		Output z
	w = 0	w = 1	
A	A	B	0
B	A	C	0
C	A	D	0
D	A	D	1

Present state $y_2y_1$	Flip-flop inputs		Output z
	w = 0	w = 1	
	$T_2D_1$	$T_2D_1$	
00	00	01	0
01	00	10	0
10	10	01	0
11	10	01	1

T	$Q(t+1)$	D	$Q(t+1)$
0	$Q(t)$	0	0
1	$\overline{Q(t)}$	1	1

# The two tables for the initial circuit

Present state	Next state		Output z
	w = 0	w = 1	
A	A	B	0
B	A	C	0
C	A	D	0
D	A	D	1

State table

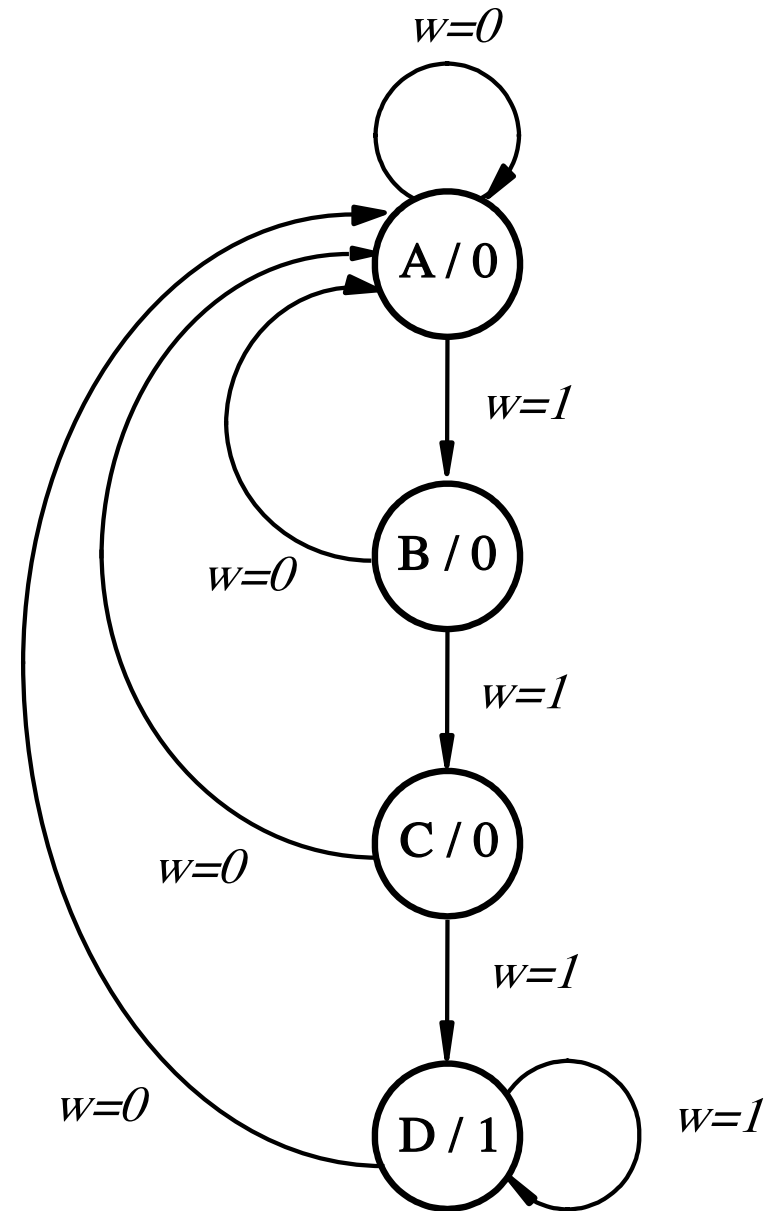
Present state $y_2y_1$	Flip-flop inputs		Output z
	w = 0	w = 1	
	$T_2D_1$	$T_2D_1$	
00	00	01	0
01	00	10	0
10	10	01	0
11	10	01	1

Excitation table

# The state diagram

Present state	Next state		Output z
	w = 0	w = 1	
A	A	B	0
B	A	C	0
C	A	D	0
D	A	D	1

State table



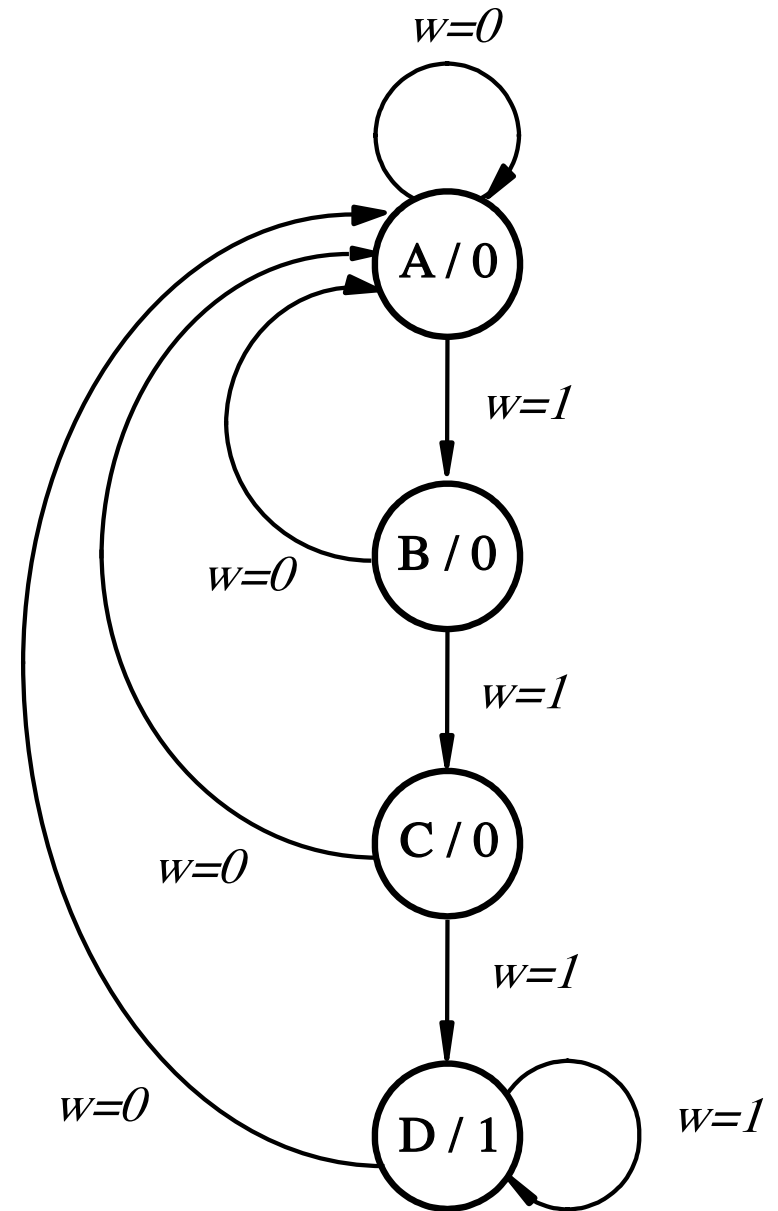
State diagram

# The state diagram

Thus, this FSM is identical to the ones in the previous examples, even though the circuit uses one D and one T flip-flop.

Present state	Next state		Output Z
	w = 0	w = 1	
A	A	B	0
B	A	C	0
C	A	D	0
D	A	D	1

State table



State diagram

**Questions?**

**THE END**