



CprE 281: Digital Logic

Instructor: Alexander Stoytchev

<http://www.ece.iastate.edu/~alexs/classes/>

NAND and NOR Logic Networks

*CprE 281: Digital Logic
Iowa State University, Ames, IA
Copyright © Alexander Stoytchev*

Administrative Stuff

- **There will be no lecture on Monday Sep 6**
- **Due to Labor Day (university holiday)**

Administrative Stuff

- **HW2 is due on Wednesday Sep 8 @ 4pm**
- **Please write clearly on the first page the following three things:**
 - **Your First and Last Name**
 - **Your Student ID Number**
 - **Your Lab Section Letter**
- **Submit on Canvas as *one* PDF file.**
- **Please orient your pages such that the text can be read without the need to rotate the page.**

Administrative Stuff

- **Next week we will start with Lab2**
- **Read the lab assignment and do the prelab at home.**
- **Complete the prelab on paper before you go to the lab. Otherwise you'll lose 20% of your grade for that lab.**

Quick Review

Four Basis Functions

x	y	f₀₀
0	0	1
0	1	0
1	0	0
1	1	0

$f_{00}(x, y)$

x	y	f₀₁
0	0	0
0	1	1
1	0	0
1	1	0

$f_{01}(x, y)$

x	y	f₁₀
0	0	0
0	1	0
1	0	1
1	1	0

$f_{10}(x, y)$

x	y	f₁₁
0	0	0
0	1	0
1	0	0
1	1	1

$f_{11}(x, y)$

Four Basis Functions

x	y	f_{00}
0	0	1
0	1	0
1	0	0
1	1	0

$f_{00}(x, y)$

x	y	f_{01}
0	0	0
0	1	1
1	0	0
1	1	0

$f_{01}(x, y)$

x	y	f_{10}
0	0	0
0	1	0
1	0	1
1	1	0

$f_{10}(x, y)$

x	y	f_{11}
0	0	0
0	1	0
1	0	0
1	1	1

$f_{11}(x, y)$

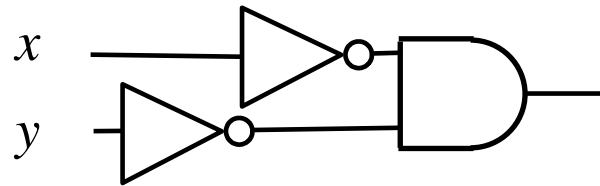
Four Basis Functions

x	y	$f_{00}(x, y)$	$f_{01}(x, y)$	$f_{10}(x, y)$	$f_{11}(x, y)$
0	0	1	0	0	0
0	1	0	1	0	0
1	0	0	0	1	0
1	1	0	0	0	1

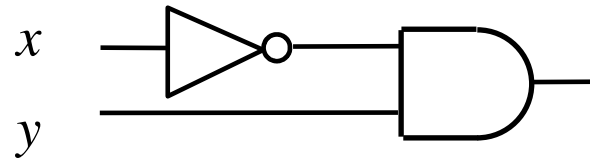
Four Basis Functions

x	y	$\bar{x}\bar{y}$	$\bar{x}y$	$x\bar{y}$	xy
0	0	1	0	0	0
0	1	0	1	0	0
1	0	0	0	1	0
1	1	0	0	0	1

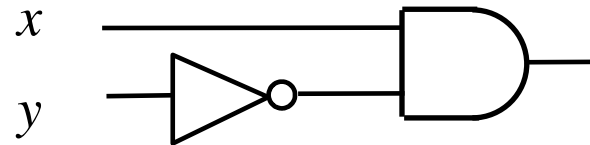
Circuits for the four basis functions



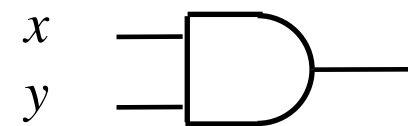
$$f_{00}(x, y) = \bar{x} \bar{y}$$



$$f_{01}(x, y) = \bar{x} y$$



$$f_{10}(x, y) = x \bar{y}$$



$$f_{11}(x, y) = x y$$

Four Basis Functions

x	y	f_{00}
0	0	1
0	1	0
1	0	0
1	1	0

$$f_{00}(x, y) = \bar{x} \bar{y}$$

x	y	f_{01}
0	0	0
0	1	1
1	0	0
1	1	0

$$f_{01}(x, y) = \bar{x} y$$

x	y	f_{10}
0	0	0
0	1	0
1	0	1
1	1	0

$$f_{10}(x, y) = x \bar{y}$$

x	y	f_{11}
0	0	0
0	1	0
1	0	0
1	1	1

$$f_{11}(x, y) = x y$$

Four Basis Functions

x	y	f ₀₀
0	0	1
0	1	0
1	0	0
1	1	0

$$f_{00}(x, y) = \bar{x} \bar{y}$$

m₀

x	y	f ₀₁
0	0	0
0	1	1
1	0	0
1	1	0

$$f_{01}(x, y) = \bar{x} y$$

m₁

x	y	f ₁₀
0	0	0
0	1	0
1	0	1
1	1	0

$$f_{10}(x, y) = x \bar{y}$$

m₂

x	y	f ₁₁
0	0	0
0	1	0
1	0	0
1	1	1

$$f_{11}(x, y) = x y$$

m₃

Minterms and Maxterms

Row number	x_1	x_2	Minterm	Maxterm
0	0	0	$m_0 = \bar{x}_1\bar{x}_2$	$M_0 = x_1 + x_2$
1	0	1	$m_1 = \bar{x}_1x_2$	$M_1 = x_1 + \bar{x}_2$
2	1	0	$m_2 = x_1\bar{x}_2$	$M_2 = \bar{x}_1 + x_2$
3	1	1	$m_3 = x_1x_2$	$M_3 = \bar{x}_1 + \bar{x}_2$

Minterms and Maxterms

Row number	x_1	x_2	Minterm	Maxterm
0	0	0	$m_0 = \bar{x}_1\bar{x}_2$	$M_0 = x_1 + x_2$
1	0	1	$m_1 = \bar{x}_1x_2$	$M_1 = x_1 + \bar{x}_2$
2	1	0	$m_2 = x_1\bar{x}_2$	$M_2 = \bar{x}_1 + x_2$
3	1	1	$m_3 = x_1x_2$	$M_3 = \bar{x}_1 + \bar{x}_2$

Use these for
Sum-of-Products
Minimization
(1's of the function)

Use these for
Product-of-Sums
Minimization
(0's of the function)

Sum-of-Products Form

(uses the **ones** of the function)

Sum-of-Products Form

Row number	x_1	x_2	Minterm	$f(x_1, x_2)$
0	0	0	$m_0 = \bar{x}_1\bar{x}_2$	1
1	0	1	$m_1 = \bar{x}_1x_2$	1
2	1	0	$m_2 = x_1\bar{x}_2$	0
3	1	1	$m_3 = x_1x_2$	1

Sum-of-Products Form

Row number	x_1	x_2	Minterm	$f(x_1, x_2)$
0	0	0	$m_0 = \bar{x}_1\bar{x}_2$	1
1	0	1	$m_1 = \bar{x}_1x_2$	1
2	1	0	$m_2 = x_1\bar{x}_2$	0
3	1	1	$m_3 = x_1x_2$	1

Sum-of-Products Form

Row number	x_1	x_2	Minterm	$f(x_1, x_2)$
0	0	0	$m_0 = \bar{x}_1\bar{x}_2$	1
1	0	1	$m_1 = \bar{x}_1x_2$	1
2	1	0	$m_2 = x_1\bar{x}_2$	0
3	1	1	$m_3 = x_1x_2$	1

$$\begin{aligned}f &= m_0 \cdot 1 + m_1 \cdot 1 + m_2 \cdot 0 + m_3 \cdot 1 \\&= m_0 + m_1 + m_3 \\&= \bar{x}_1\bar{x}_2 + \bar{x}_1x_2 + x_1x_2\end{aligned}$$

Product-of-Sums Form

(uses the **zeros** of the function)

Product-of-Sums Form (for this logic function)

Row number	x_1	x_2	Maxterm	$f(x_1, x_2)$
0	0	0	$M_0 = x_1 + x_2$	0
1	0	1	$M_1 = x_1 + \bar{x}_2$	1
2	1	0	$M_2 = \bar{x}_1 + x_2$	0
3	1	1	$M_3 = \bar{x}_1 + \bar{x}_2$	1

Product-of-Sums Form

(for this logic function)

Row number	x_1	x_2	Maxterm	$f(x_1, x_2)$
0	0	0	$M_0 = x_1 + x_2$	0
1	0	1	$M_1 = x_1 + \bar{x}_2$	1
2	1	0	$M_2 = \bar{x}_1 + x_2$	0
3	1	1	$M_3 = \bar{x}_1 + \bar{x}_2$	1

Product-of-Sums Form (for this logic function)

Row number	x_1	x_2	Maxterm	$f(x_1, x_2)$
0	0	0	$M_0 = x_1 + x_2$	0
1	0	1	$M_1 = x_1 + \bar{x}_2$	1
2	1	0	$M_2 = \bar{x}_1 + x_2$	0
3	1	1	$M_3 = \bar{x}_1 + \bar{x}_2$	1

$$f(x_1, x_2) = M_0 \cdot M_2 = (x_1 + x_2) \cdot (\bar{x}_1 + x_2)$$

Shorthand Notation

- **Sum-of-Products (SOP)**

$$f(x_1, x_2, x_3) = \sum (m_1, m_4, m_5, m_6)$$

or

$$f(x_1, x_2, x_3) = \sum m(1, 4, 5, 6)$$

- **Product-of-Sums (POS)**

$$f(x_1, x_2, x_3) = \Pi (M_0, M_2, M_3, M_7)$$

or

$$f(x_1, x_2, x_3) = \Pi M (0, 2, 3, 7)$$

Shorthand Notation for SOP

Row number	x_1	x_2	x_3	$f(x_1, x_2, x_3)$
0	0	0	0	0
1	0	0	1	1
2	0	1	0	0
3	0	1	1	0
4	1	0	0	1
5	1	0	1	1
6	1	1	0	1
7	1	1	1	0

$$f(x_1, x_2, x_3) = \sum (m_1, m_4, m_5, m_6)$$

or

$$f(x_1, x_2, x_3) = \sum m(1, 4, 5, 6)$$

Shorthand Notation

Row number	x_1	x_2	x_3	Minterm	Maxterm
0	0	0	0	$m_0 = \bar{x}_1\bar{x}_2\bar{x}_3$	$M_0 = x_1 + x_2 + x_3$
1	0	0	1	$m_1 = \bar{x}_1\bar{x}_2x_3$	$M_1 = x_1 + x_2 + \bar{x}_3$
2	0	1	0	$m_2 = \bar{x}_1x_2\bar{x}_3$	$M_2 = x_1 + \bar{x}_2 + x_3$
3	0	1	1	$m_3 = \bar{x}_1x_2x_3$	$M_3 = x_1 + \bar{x}_2 + \bar{x}_3$
4	1	0	0	$m_4 = x_1\bar{x}_2\bar{x}_3$	$M_4 = \bar{x}_1 + x_2 + x_3$
5	1	0	1	$m_5 = x_1\bar{x}_2x_3$	$M_5 = \bar{x}_1 + x_2 + \bar{x}_3$
6	1	1	0	$m_6 = x_1x_2\bar{x}_3$	$M_6 = \bar{x}_1 + \bar{x}_2 + x_3$
7	1	1	1	$m_7 = x_1x_2x_3$	$M_7 = \bar{x}_1 + \bar{x}_2 + \bar{x}_3$

$$f(x_1, x_2, x_3) = \sum (m_1, m_4, m_5, m_6)$$

$$f(x_1, x_2, x_3) = \sum m(1, 4, 5, 6)$$

Shorthand Notation for POS

Row number	x_1	x_2	x_3	$f(x_1, x_2, x_3)$
0	0	0	0	0
1	0	0	1	1
2	0	1	0	0
3	0	1	1	0
4	1	0	0	1
5	1	0	1	1
6	1	1	0	1
7	1	1	1	0

$$f(x_1, x_2, x_3) = \Pi(M_0, M_2, M_3, M_7)$$

or

$$f(x_1, x_2, x_3) = \Pi M(0, 2, 3, 7)$$

Shorthand Notation

Row number	x_1	x_2	x_3	Minterm	Maxterm
0	0	0	0	$m_0 = \bar{x}_1\bar{x}_2\bar{x}_3$	$M_0 = x_1 + x_2 + x_3$
1	0	0	1	$m_1 = \bar{x}_1\bar{x}_2x_3$	$M_1 = x_1 + x_2 + \bar{x}_3$
2	0	1	0	$m_2 = \bar{x}_1x_2\bar{x}_3$	$M_2 = x_1 + \bar{x}_2 + x_3$
3	0	1	1	$m_3 = \bar{x}_1x_2x_3$	$M_3 = x_1 + \bar{x}_2 + \bar{x}_3$
4	1	0	0	$m_4 = x_1\bar{x}_2\bar{x}_3$	$M_4 = \bar{x}_1 + x_2 + x_3$
5	1	0	1	$m_5 = x_1\bar{x}_2x_3$	$M_5 = \bar{x}_1 + x_2 + \bar{x}_3$
6	1	1	0	$m_6 = x_1x_2\bar{x}_3$	$M_6 = \bar{x}_1 + \bar{x}_2 + x_3$
7	1	1	1	$m_7 = x_1x_2x_3$	$M_7 = \bar{x}_1 + \bar{x}_2 + \bar{x}_3$

$$f(x_1, x_2, x_3) = \Pi(M_0, M_2, M_3, M_7)$$

$$f(x_1, x_2, x_3) = \Pi M(0, 2, 3, 7)$$

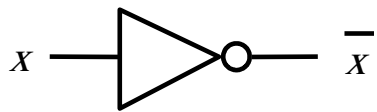
Shorthand Notation

Row number	x_1	x_2	x_3	Minterm	Maxterm
0	0	0	0	$m_0 = \bar{x}_1\bar{x}_2\bar{x}_3$	$M_0 = x_1 + x_2 + x_3$
1	0	0	1	$m_1 = \bar{x}_1\bar{x}_2x_3$	$M_1 = x_1 + x_2 + \bar{x}_3$
2	0	1	0	$m_2 = \bar{x}_1x_2\bar{x}_3$	$M_2 = x_1 + \bar{x}_2 + x_3$
3	0	1	1	$m_3 = \bar{x}_1x_2x_3$	$M_3 = x_1 + \bar{x}_2 + \bar{x}_3$
4	1	0	0	$m_4 = x_1\bar{x}_2\bar{x}_3$	$M_4 = \bar{x}_1 + x_2 + x_3$
5	1	0	1	$m_5 = x_1\bar{x}_2x_3$	$M_5 = \bar{x}_1 + x_2 + \bar{x}_3$
6	1	1	0	$m_6 = x_1x_2\bar{x}_3$	$M_6 = \bar{x}_1 + \bar{x}_2 + x_3$
7	1	1	1	$m_7 = x_1x_2x_3$	$M_7 = \bar{x}_1 + \bar{x}_2 + \bar{x}_3$

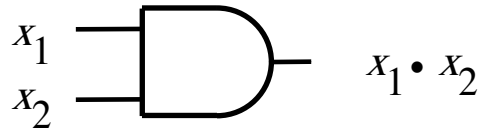
Notice that the red and the green are nicely separated and that they cover all possible rows (no gaps).

Two New Logic Gates

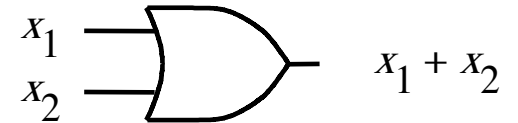
The Three Basic Logic Gates



NOT gate

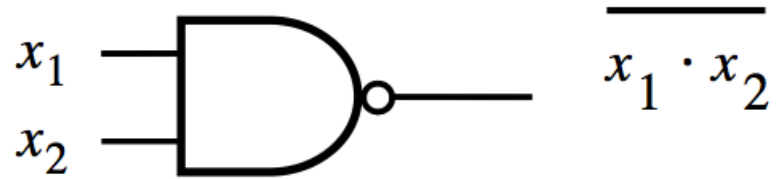


AND gate



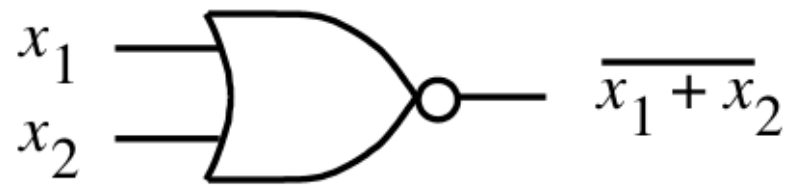
OR gate

NAND Gate



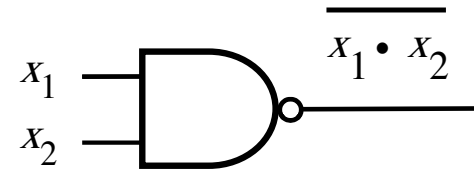
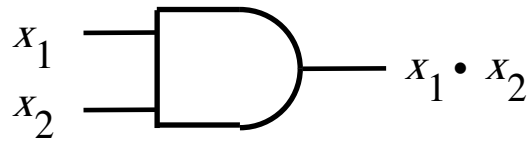
x_1	x_2	f
0	0	1
0	1	1
1	0	1
1	1	0

NOR Gate



x_1	x_2	f
0	0	1
0	1	0
1	0	0
1	1	0

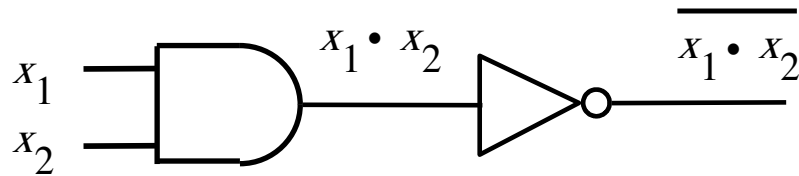
AND vs NAND



x_1	x_2	f
0	0	0
0	1	0
1	0	0
1	1	1

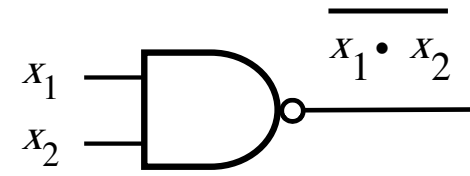
x_1	x_2	f
0	0	1
0	1	1
1	0	1
1	1	0

AND followed by NOT = NAND



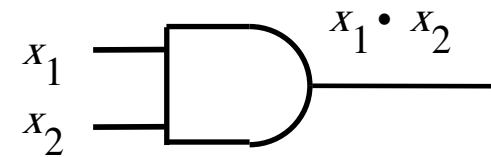
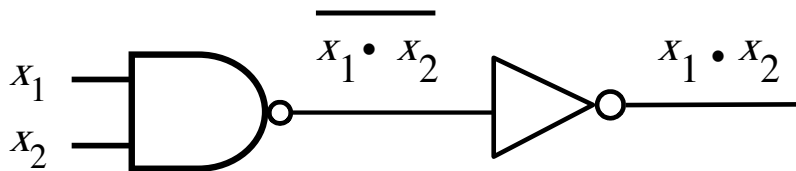
x_1	x_2	f
0	0	0
0	1	0
1	0	0
1	1	1

f
1
1
1
0



x_1	x_2	f
0	0	1
0	1	1
1	0	1
1	1	0

NAND followed by NOT = AND

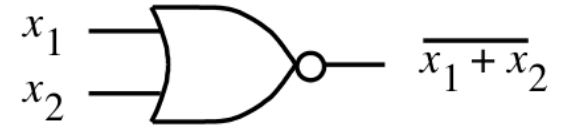
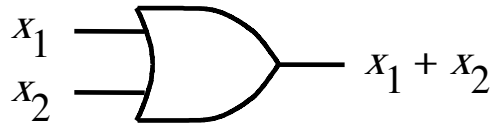


x_1	x_2	f
0	0	1
0	1	1
1	0	1
1	1	0

f
0
0
0
1

x_1	x_2	f
0	0	0
0	1	0
1	0	0
1	1	1

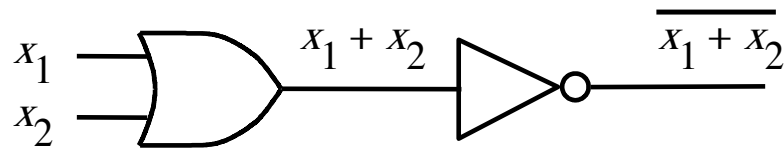
OR vs NOR



x_1	x_2	f
0	0	0
0	1	1
1	0	1
1	1	1

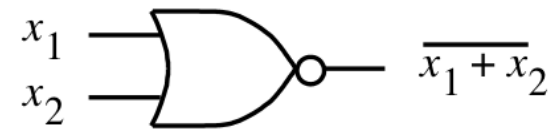
x_1	x_2	f
0	0	1
0	1	0
1	0	0
1	1	0

OR followed by NOT = NOR



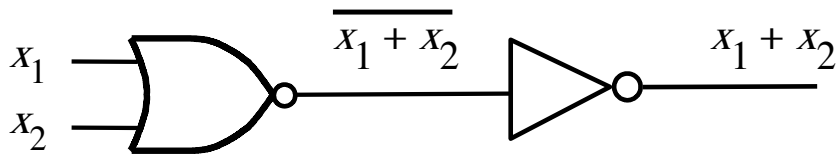
x_1	x_2	f
0	0	0
0	1	1
1	0	1
1	1	1

f
1
0
0
0



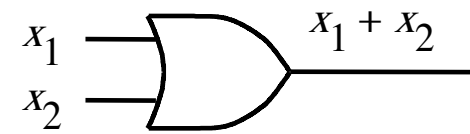
x_1	x_2	f
0	0	1
0	1	0
1	0	0
1	1	0

NOR followed by NOT = OR



x_1	x_2	f
0	0	1
0	1	0
1	0	0
1	1	0

f
0
1
1
1



x_1	x_2	f
0	0	0
0	1	1
1	0	1
1	1	1

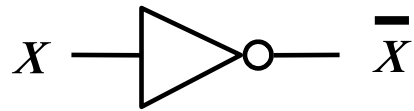
Why do we need two more gates?

Why do we need two more gates?

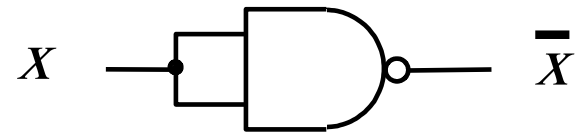
They can be implemented with fewer transistors.

**They are simpler to implement,
but are they also useful?**

Building a NOT Gate with NAND

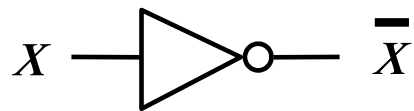


x	\bar{x}
0	1
1	0

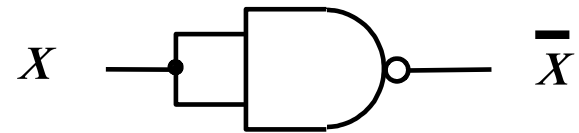


x	x	f
0	0	1
0	1	1
1	0	1
1	1	0

Building a NOT Gate with NAND



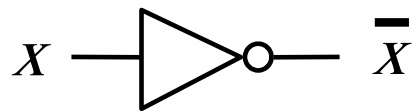
x	\bar{x}
0	1
1	0



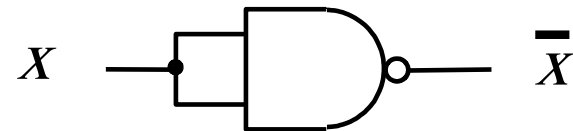
x	x	f
0	0	1
[Redacted]		
1	1	0

impossible combinations

Building a NOT Gate with NAND



x	\bar{x}
0	1
1	0



x	x	f
0	0	1
1	1	0

impossible combinations

Thus, the two truth tables are equal!

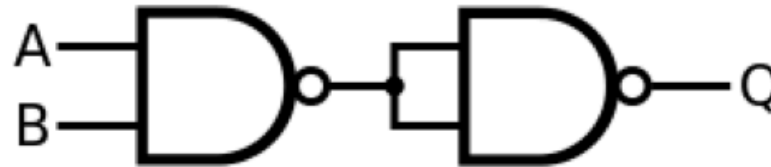
Building an AND gate with NAND gates

Desired AND Gate



$$Q = A \text{ AND } B$$

NAND Construction



$$= \text{NOT}(\text{NOT}(A \text{ AND } B))$$

Truth Table

Input A	Input B	Output Q
0	0	0
0	1	0
1	0	0
1	1	1

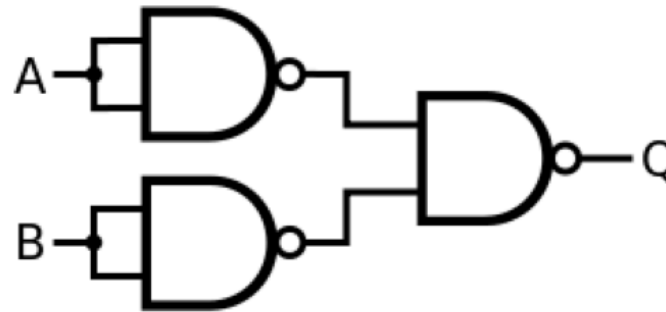
Building an OR gate with NAND gates

Desired OR Gate



$$Q = A \text{ OR } B$$

NAND Construction



$$= \text{NOT} [\text{NOT}(A \text{ AND } A) \text{ AND } \text{NOT}(B \text{ AND } B)]$$

Truth Table

Input A	Input B	Output Q
0	0	0
0	1	1
1	0	1
1	1	1

Implications

Implications

**Any Boolean function can be implemented
with only NAND gates!**

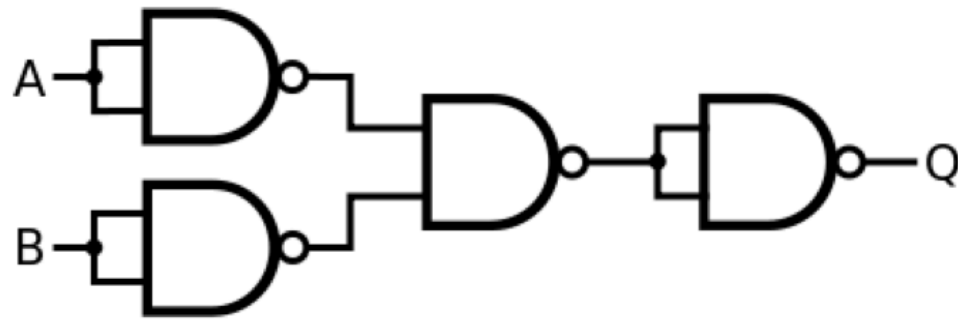
NOR gate with NAND gates

Desired NOR Gate



$$Q = \text{NOT}(A \text{ OR } B)$$

NAND Construction



$$= \text{NOT}\{ \text{NOT}[\text{NOT}(A \text{ AND } A) \text{ AND } \text{NOT}(B \text{ AND } B)] \}$$

Truth Table

Input A	Input B	Output Q
0	0	1
0	1	0
1	0	0
1	1	0

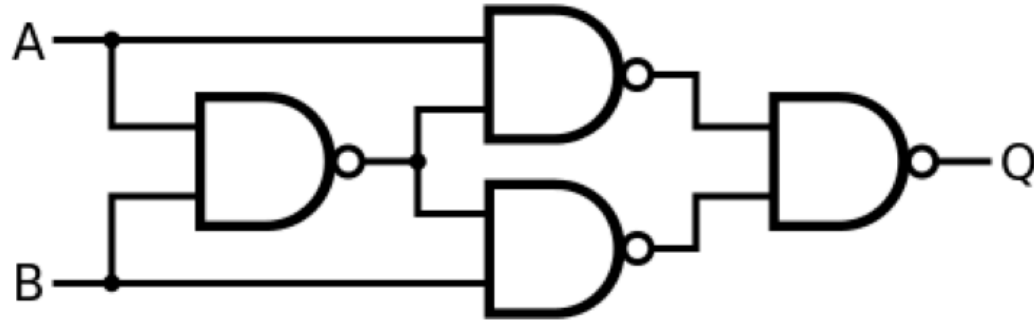
XOR gate with NAND gates

Desired XOR Gate



$$Q = A \text{ XOR } B$$

NAND Construction



$$= \text{NOT} [\text{NOT} \{ A \text{ AND } \text{NOT} (A \text{ AND } B) \} \text{ AND } \text{NOT} \{ B \text{ AND } \text{NOT} (A \text{ AND } B) \}]$$

Truth Table

Input A	Input B	Output Q
0	0	0
0	1	1
1	0	1
1	1	0

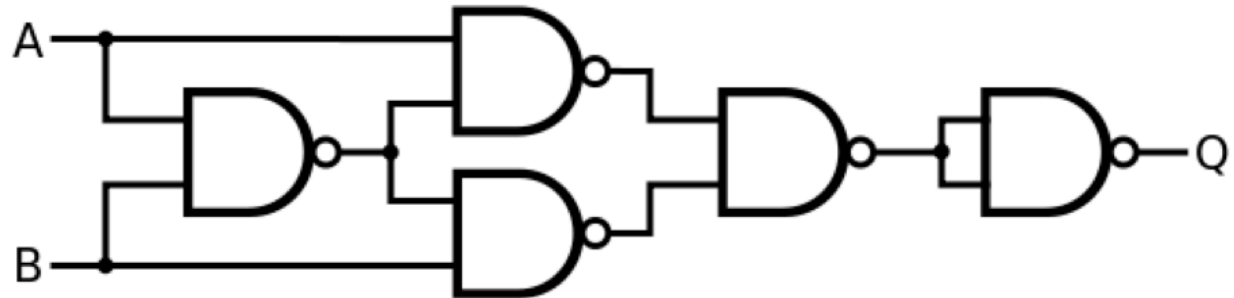
XNOR gate with NAND gates

Desired XNOR Gate



$$Q = \text{NOT}(A \text{ XOR } B)$$

NAND Construction

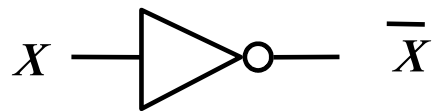


$$= \text{NOT}[\text{NOT}[\text{NOT}\{A \text{ AND } \text{NOT}(A \text{ AND } B)\} \text{ AND } \text{NOT}\{B \text{ AND } \text{NOT}(A \text{ AND } B)\}]]$$

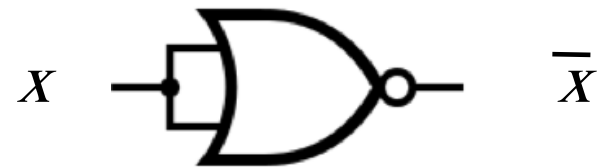
Truth Table

Input A	Input B	Output Q
0	0	1
0	1	0
1	0	0
1	1	1

Building a NOT Gate with NOR

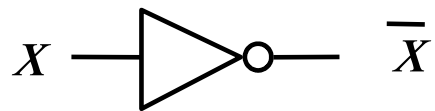


x	\bar{x}
0	1
1	0

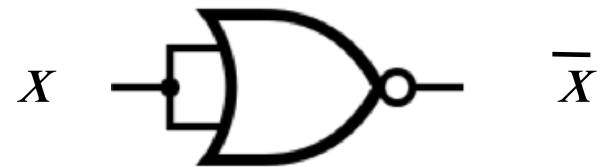


x	x	f
0	0	1
0	1	0
1	0	0
1	1	0

Building a NOT Gate with NOR



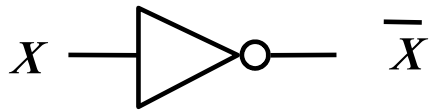
x	\bar{x}
0	1
1	0



x	x	f
0	0	1
[Redacted]		
1	1	0

impossible combinations

Building a NOT Gate with NOR



x	\bar{x}
0	1
1	0



x	x	f
0	0	1
1	1	0

impossible combinations

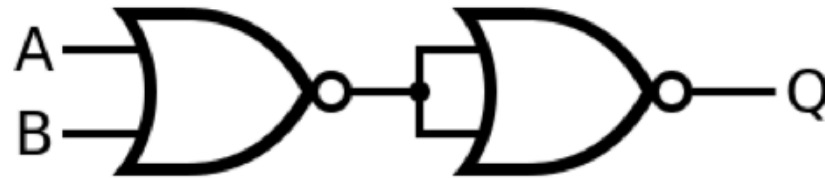
Thus, the two truth tables are equal!

Building an OR gate with NOR gates

Desired Gate



NOR Construction



Truth Table

Input A	Input B	Output Q
0	0	0
0	1	1
1	0	1
1	1	1

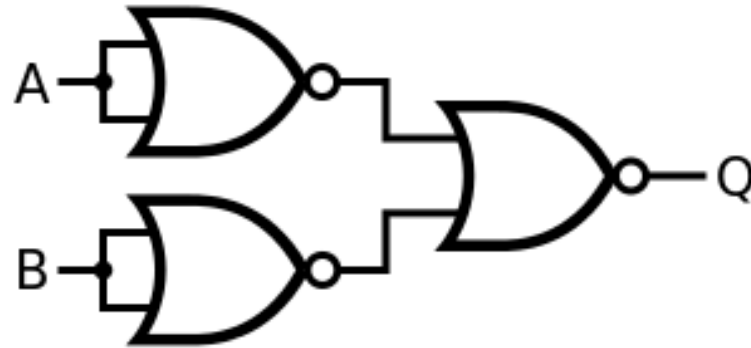
Let's build an AND gate with NOR gates

Let's build an AND gate with NOR gates

Desired Gate



NOR Construction



Truth Table

Input A	Input B	Output Q
0	0	0
0	1	0
1	0	0
1	1	1

Implications

Implications

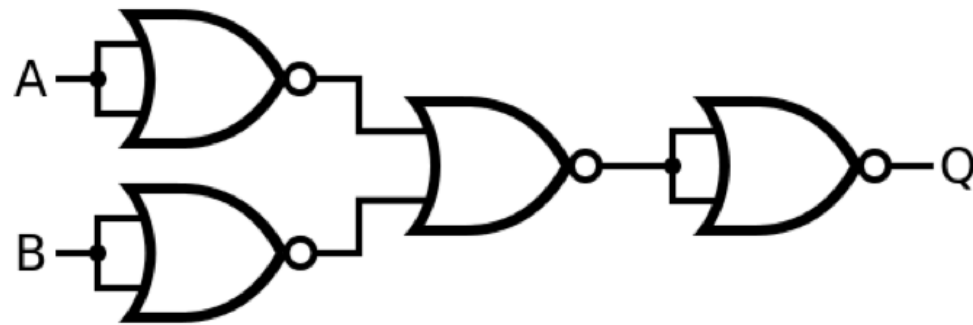
**Any Boolean function can be implemented
with only NOR gates!**

NAND gate with NOR gates

Desired Gate



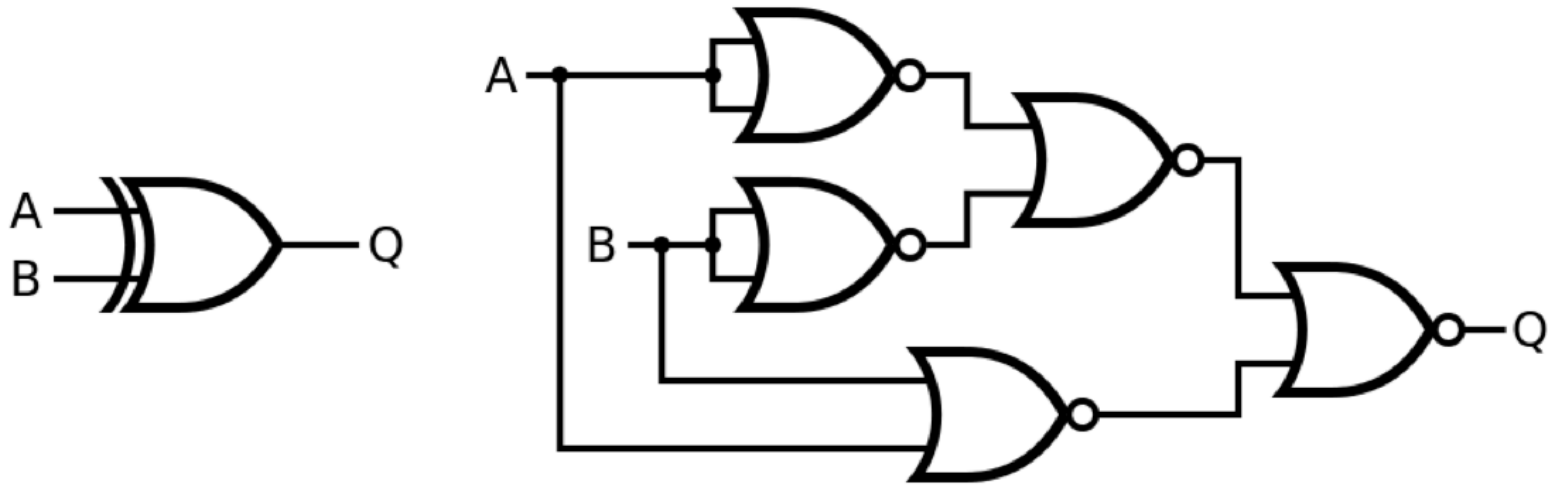
NOR Construction



Truth Table

Input A	Input B	Output Q
0	0	1
0	1	1
1	0	1
1	1	0

XOR gate with NOR gates



Truth Table

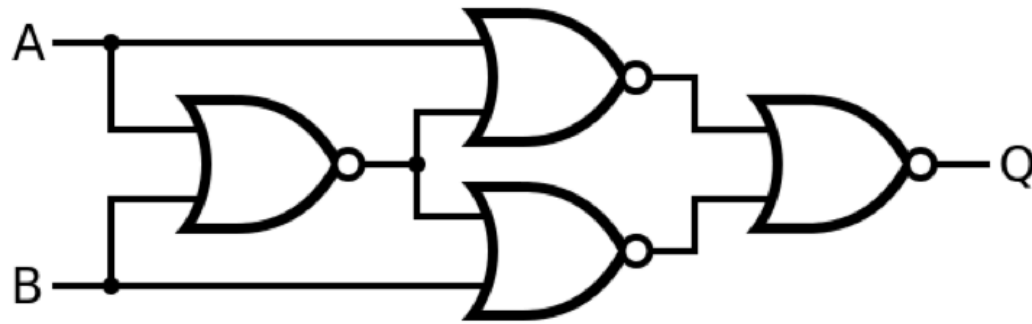
Input A	Input B	Output Q
0	0	0
0	1	1
1	0	1
1	1	0

XNOR gate with NOR gates

Desired XNOR Gate



NOR Construction

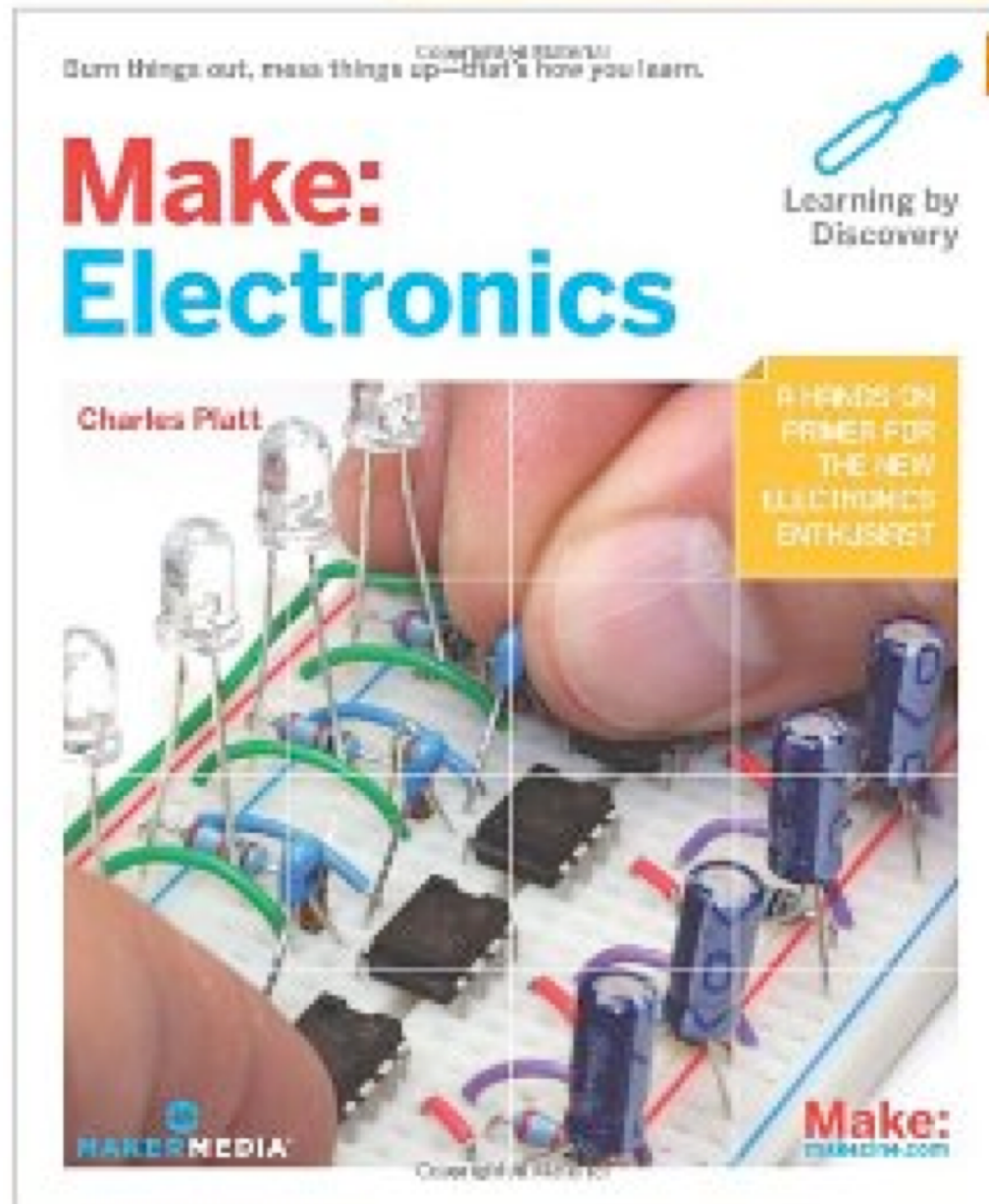


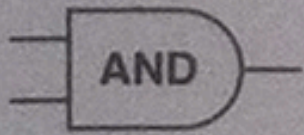
Truth Table

Input A	Input B	Output Q
0	0	1
0	1	0
1	0	0
1	1	1

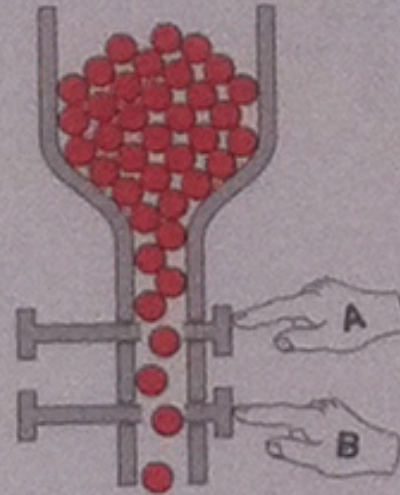
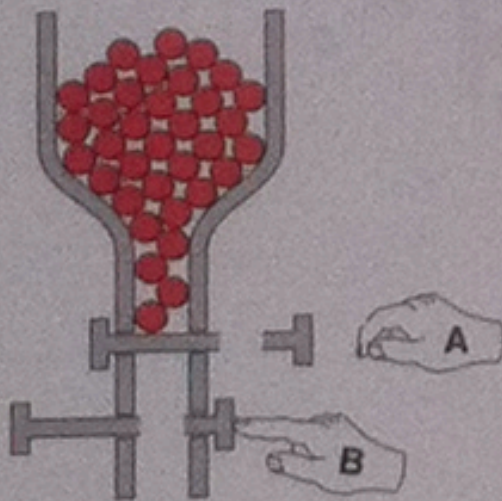
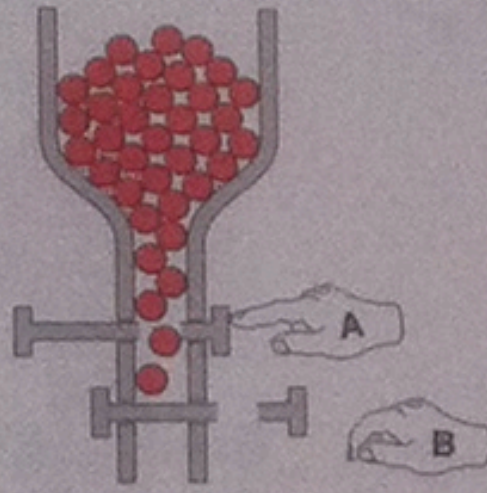
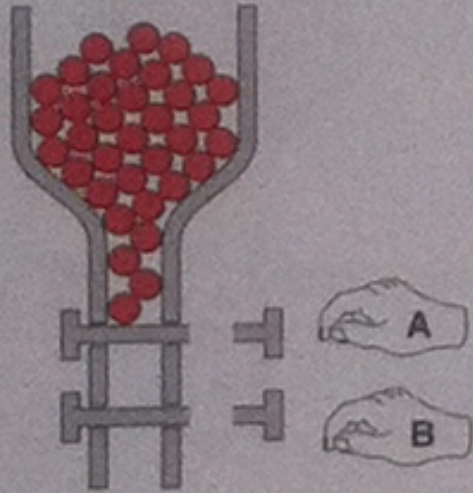
The following examples came from this book

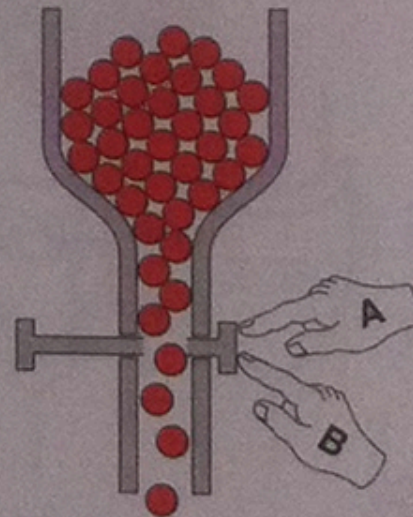
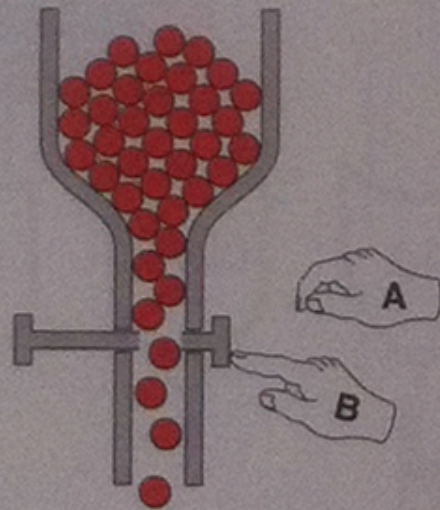
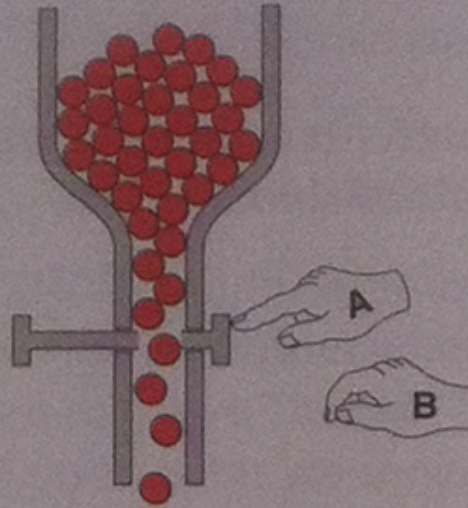
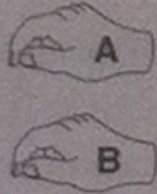
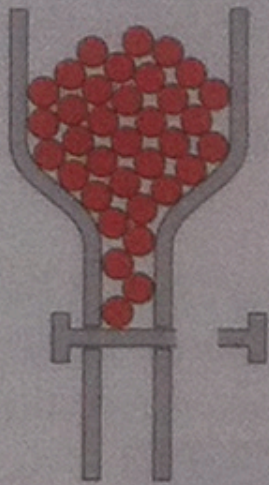
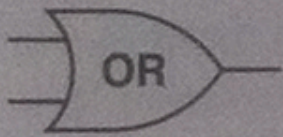
Click to **LOOK INSIDE!**



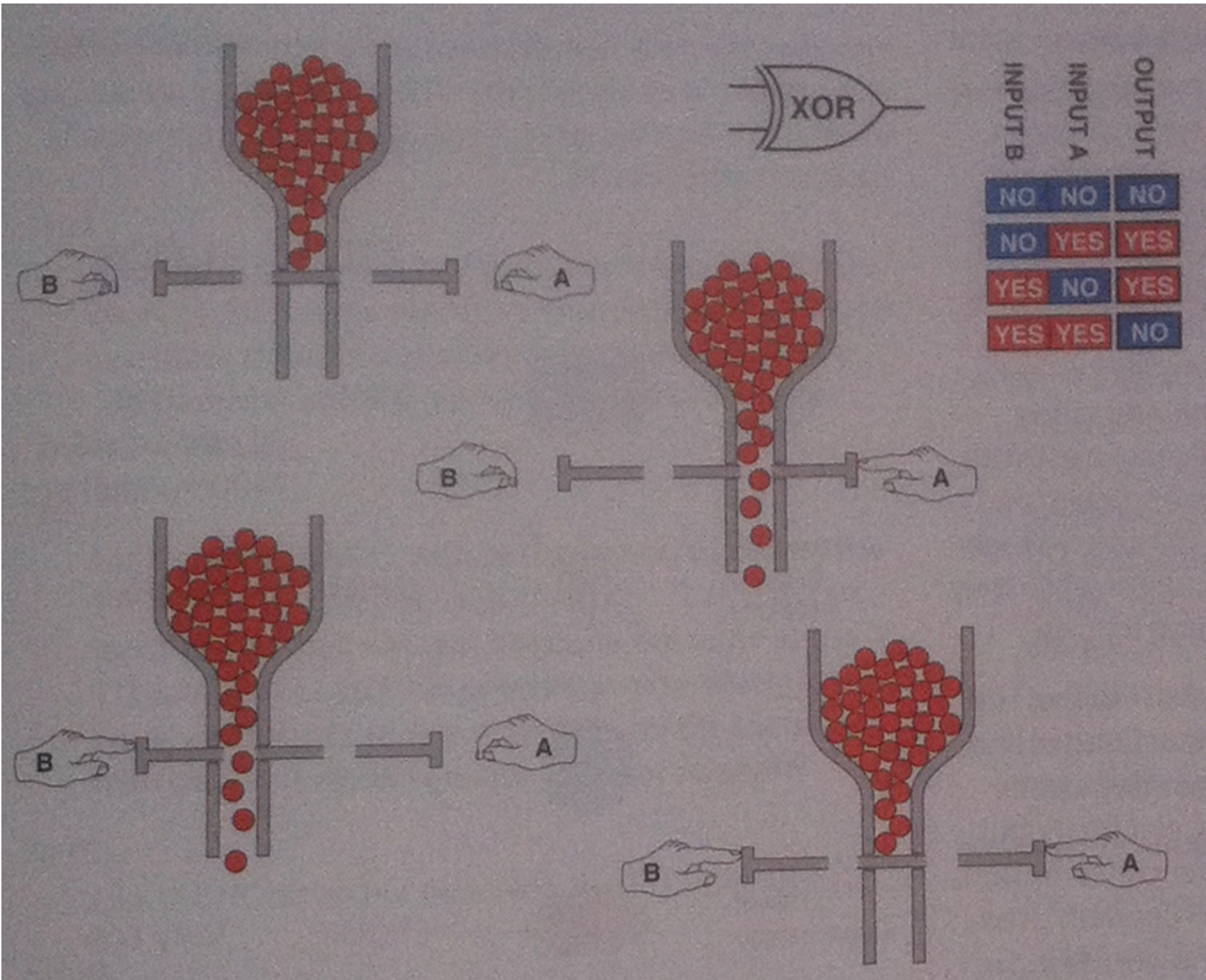


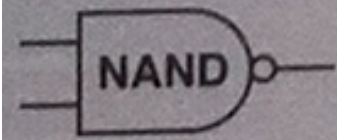
INPUT B	INPUT A	OUTPUT
NO	NO	NO
NO	YES	NO
YES	NO	NO
YES	YES	YES



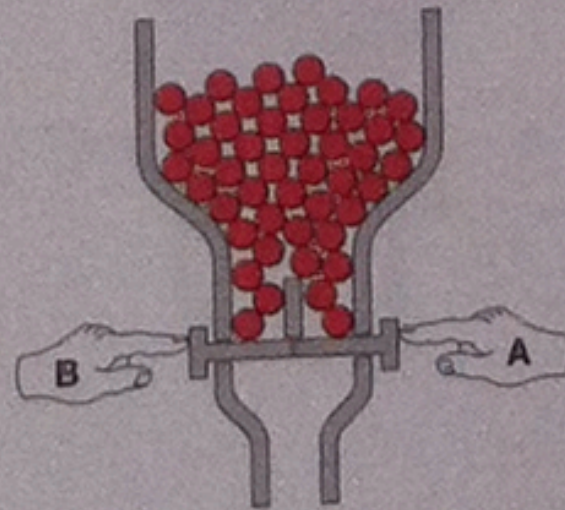
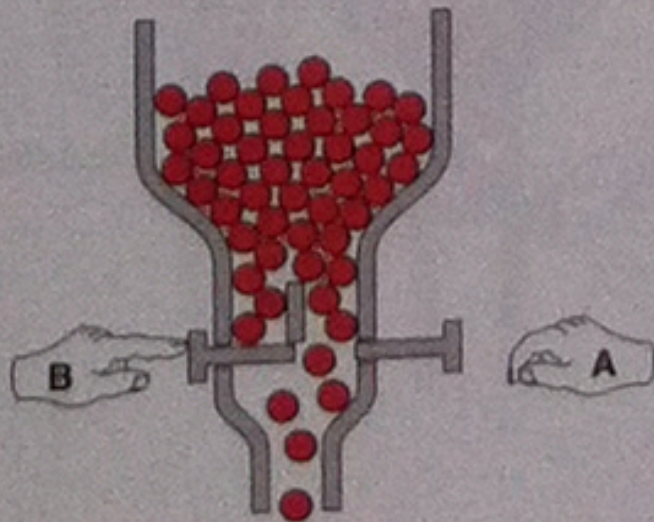
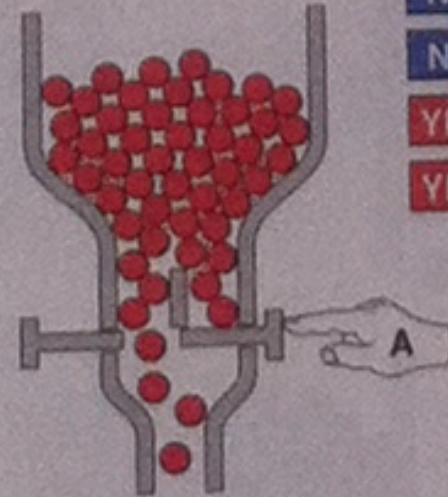
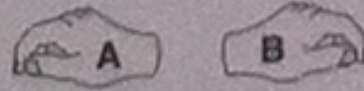
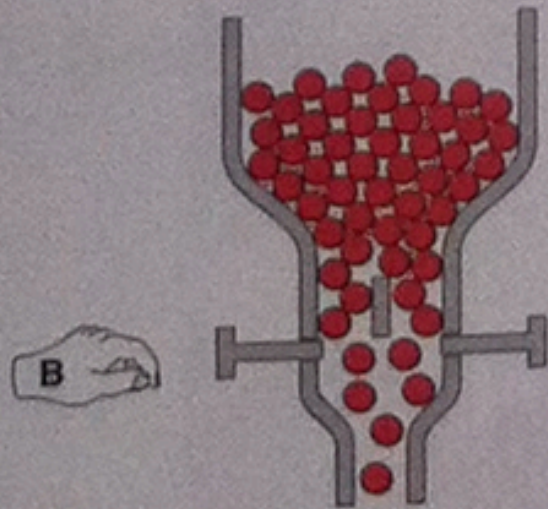


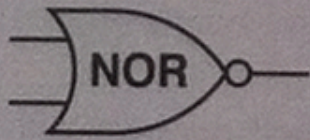
INPUT B	INPUT A	OUTPUT
NO	NO	NO
NO	YES	YES
YES	NO	YES
YES	YES	YES



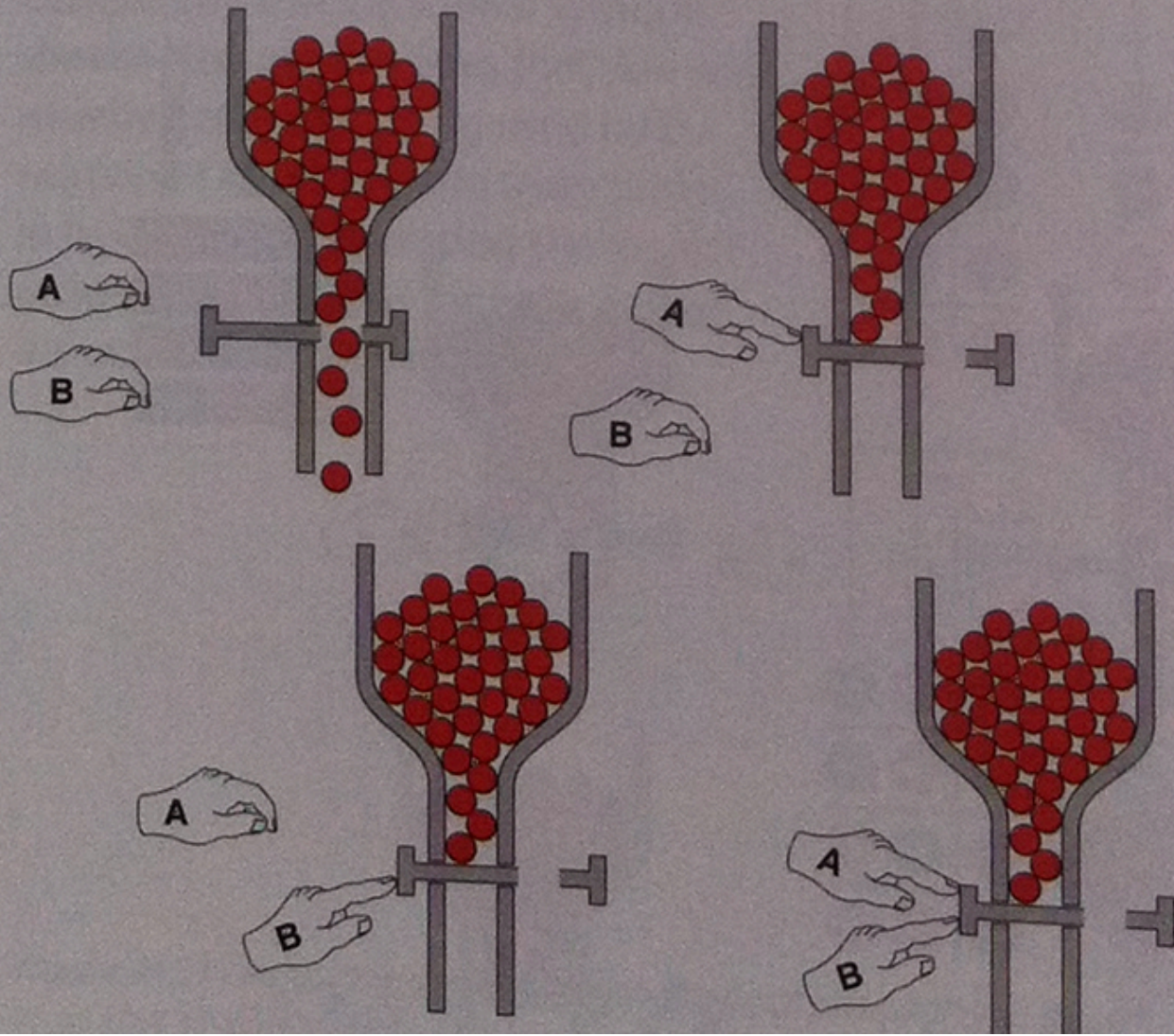


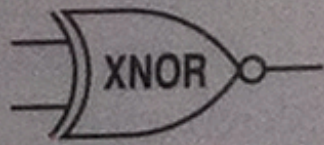
INPUT B	INPUT A	OUTPUT
NO	NO	YES
NO	YES	YES
YES	NO	YES
YES	YES	NO



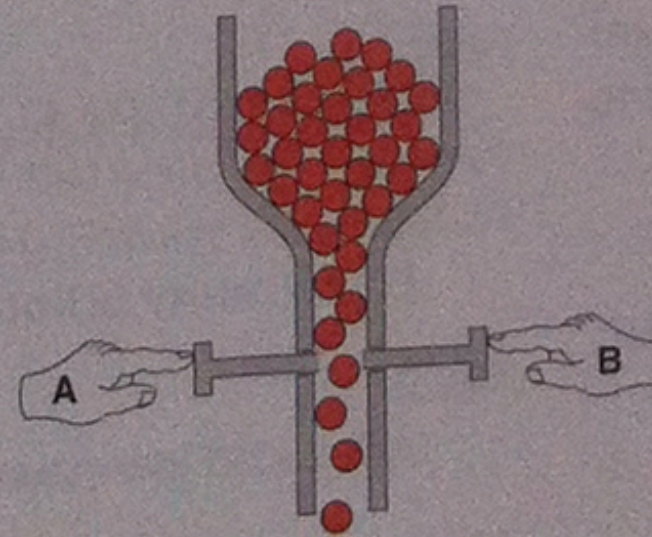
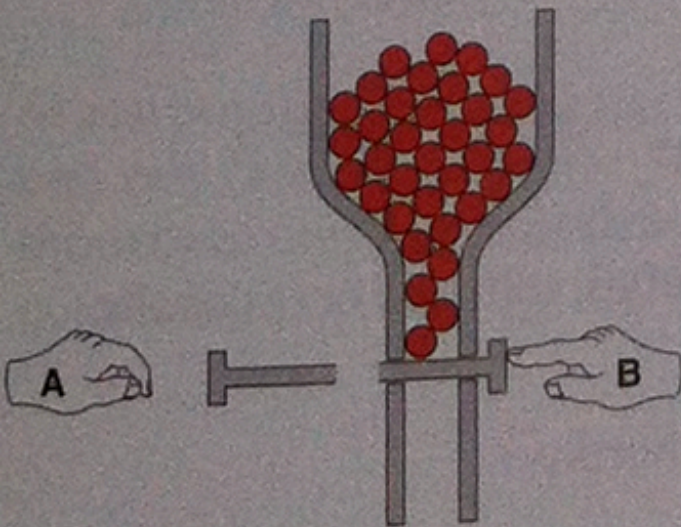
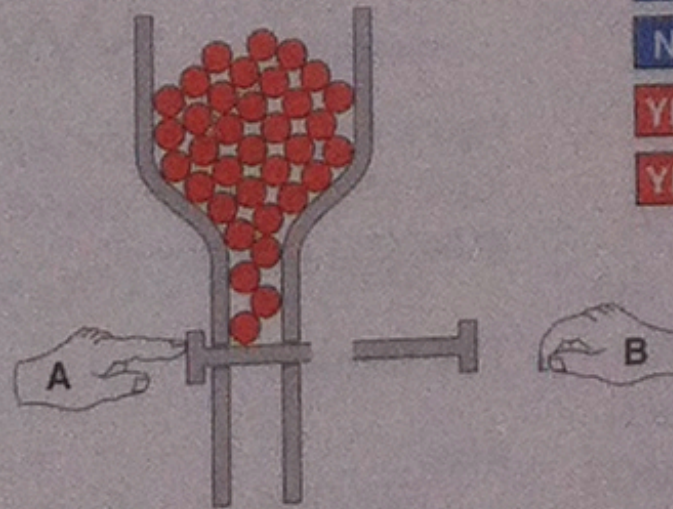
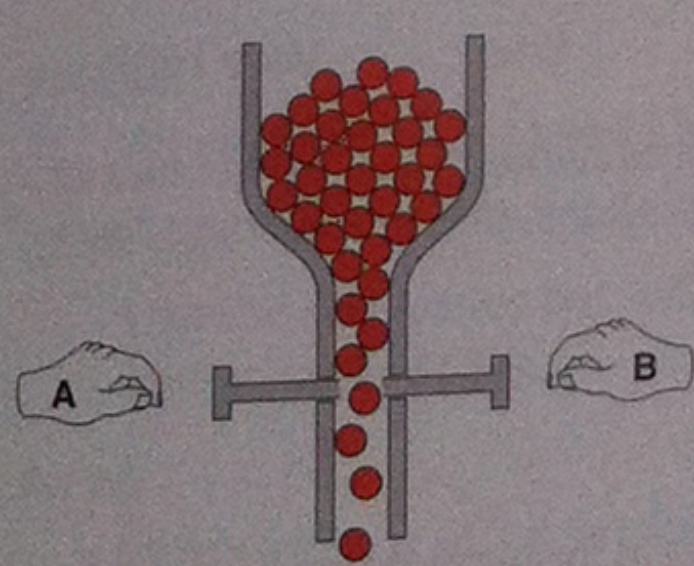


INPUT B	INPUT A	OUTPUT
NO	NO	YES
NO	YES	NO
YES	NO	NO
YES	YES	NO



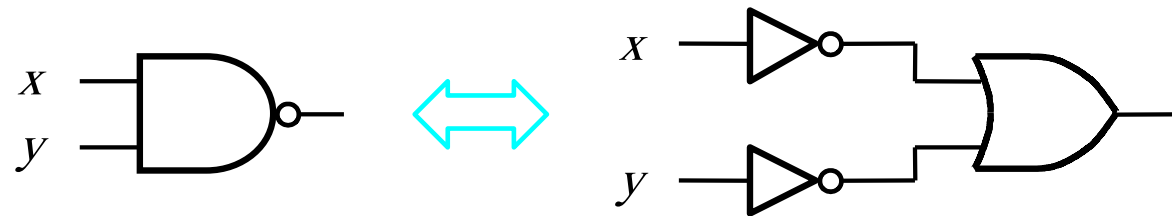


INPUT B	INPUT A	OUTPUT
NO	NO	YES
NO	YES	NO
YES	NO	NO
YES	YES	YES



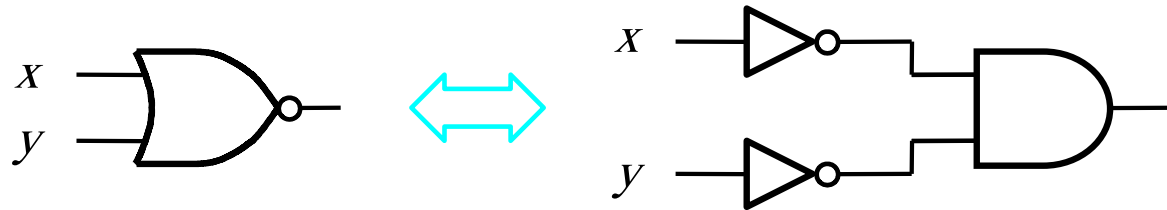
DeMorgan's Theorem Revisited

DeMorgan's theorem (in terms of logic gates)



$$\overline{x \cdot y} = \overline{x} + \overline{y}$$

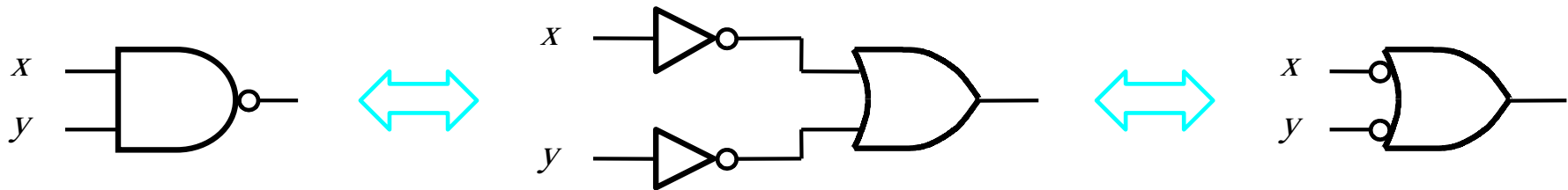
The other DeMorgan's theorem (in terms of logic gates)



$$\overline{x + y} = \overline{x} \cdot \overline{y}$$

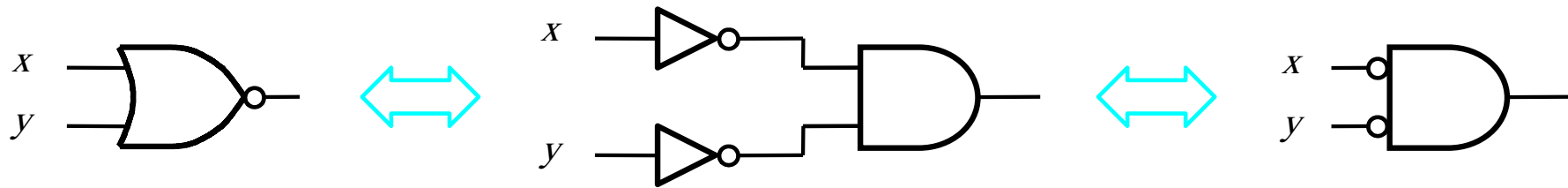
Shortcut Notation

DeMorgan's theorem in terms of logic gates



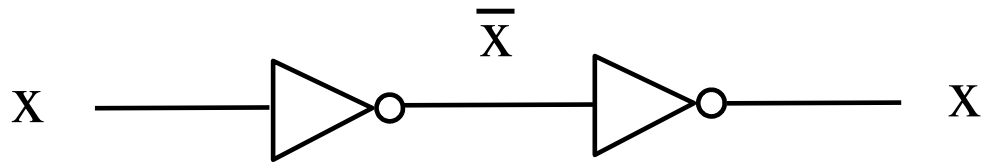
(Theorem 15.a) $\overline{x \cdot y} = \overline{x} + \overline{y}$

DeMorgan's theorem in terms of logic gates

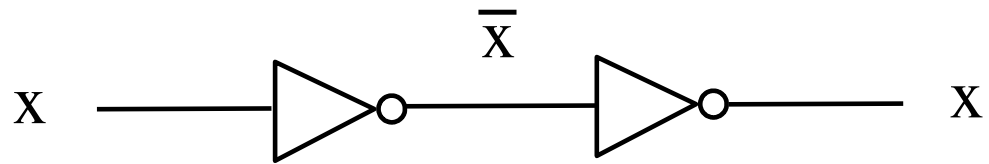


(Theorem 15.b) $\overline{x + y} = \overline{x} \overline{y}$

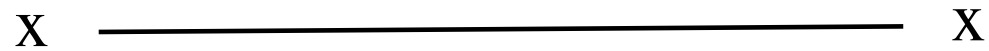
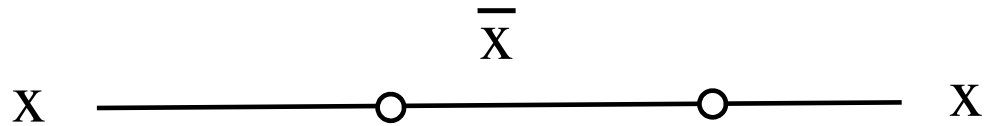
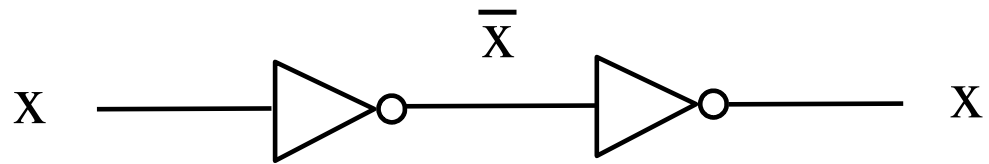
Two NOTs in a row



Two NOTs in a row

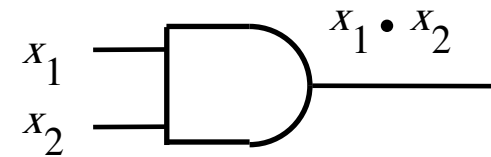
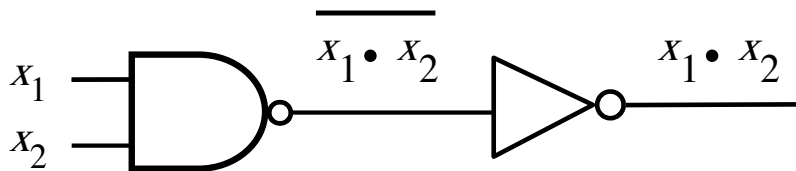


Two NOTs in a row



NAND-NAND Implementation of Sum-of-Products Expressions

NAND followed by NOT = AND



x_1	x_2	f
0	0	1
0	1	1
1	0	1
1	1	0

f
0
0
0
1

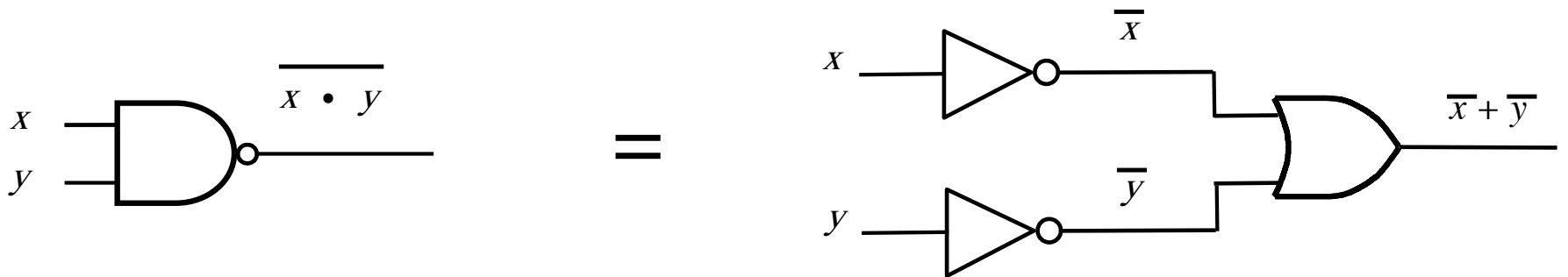
x_1	x_2	f
0	0	0
0	1	0
1	0	0
1	1	1

DeMorgan's Theorem

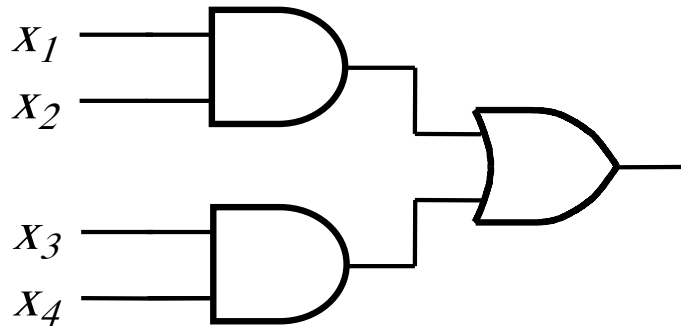
15a. $\overline{\mathbf{x} \cdot \mathbf{y}} = \overline{\mathbf{x}} + \overline{\mathbf{y}}$

DeMorgan's Theorem

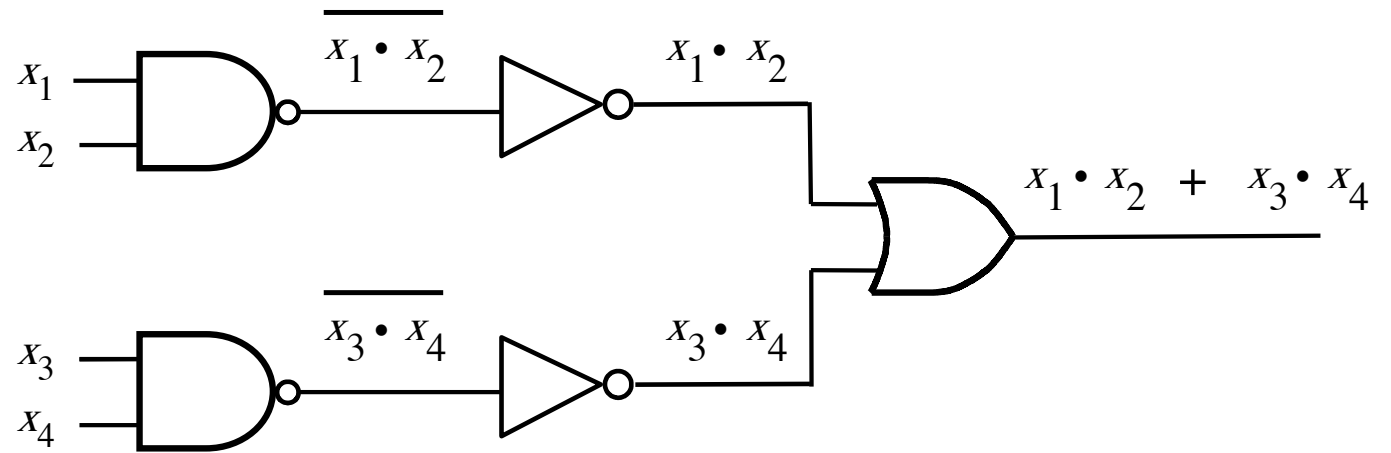
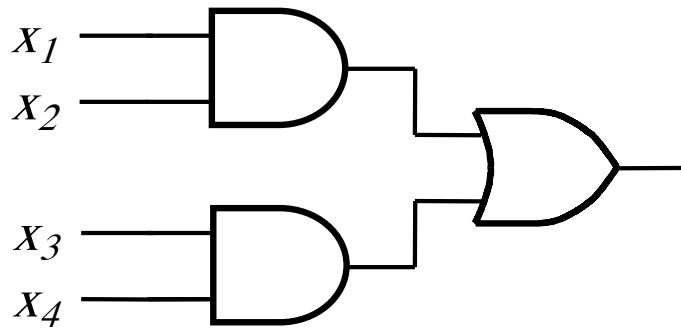
15a. $\overline{x \cdot y} = \bar{x} + \bar{y}$



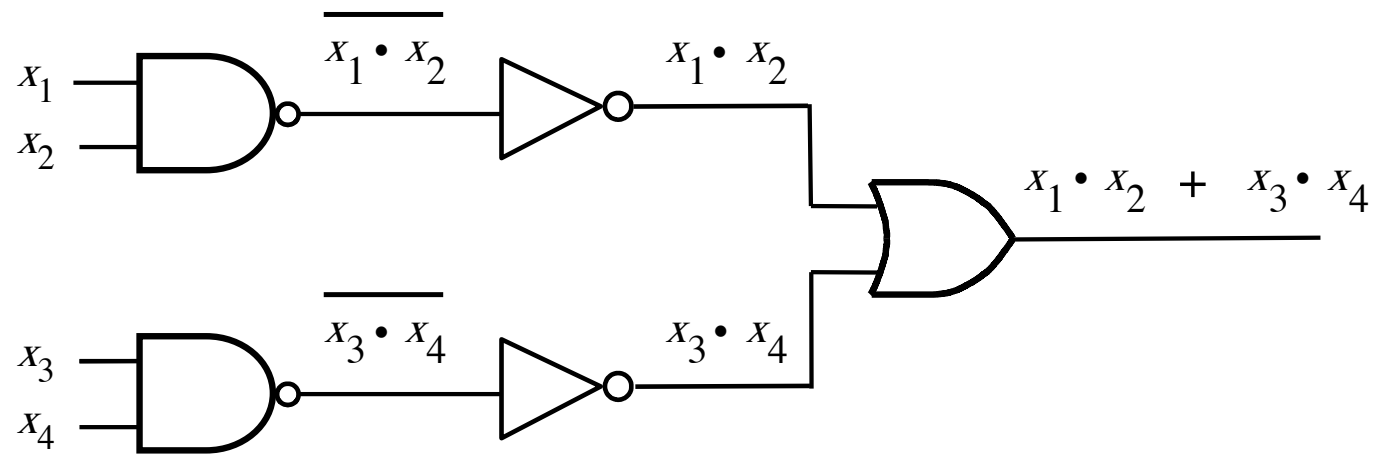
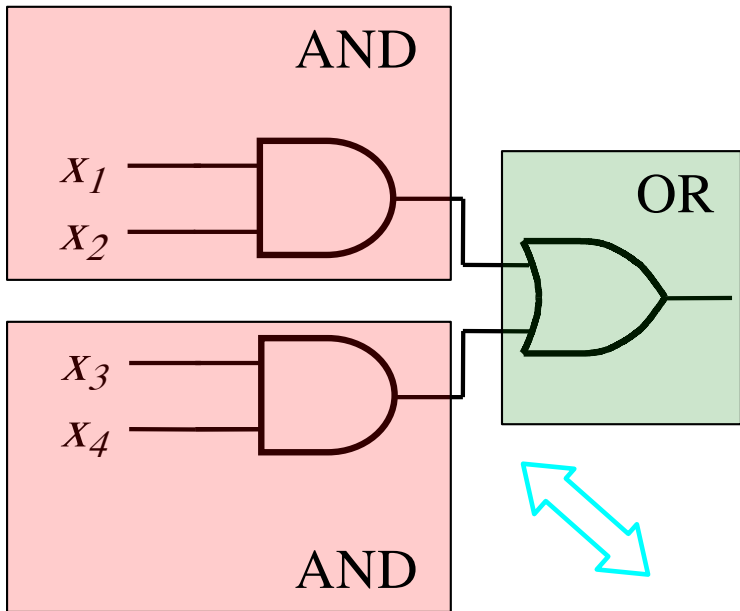
Sum-Of-Products



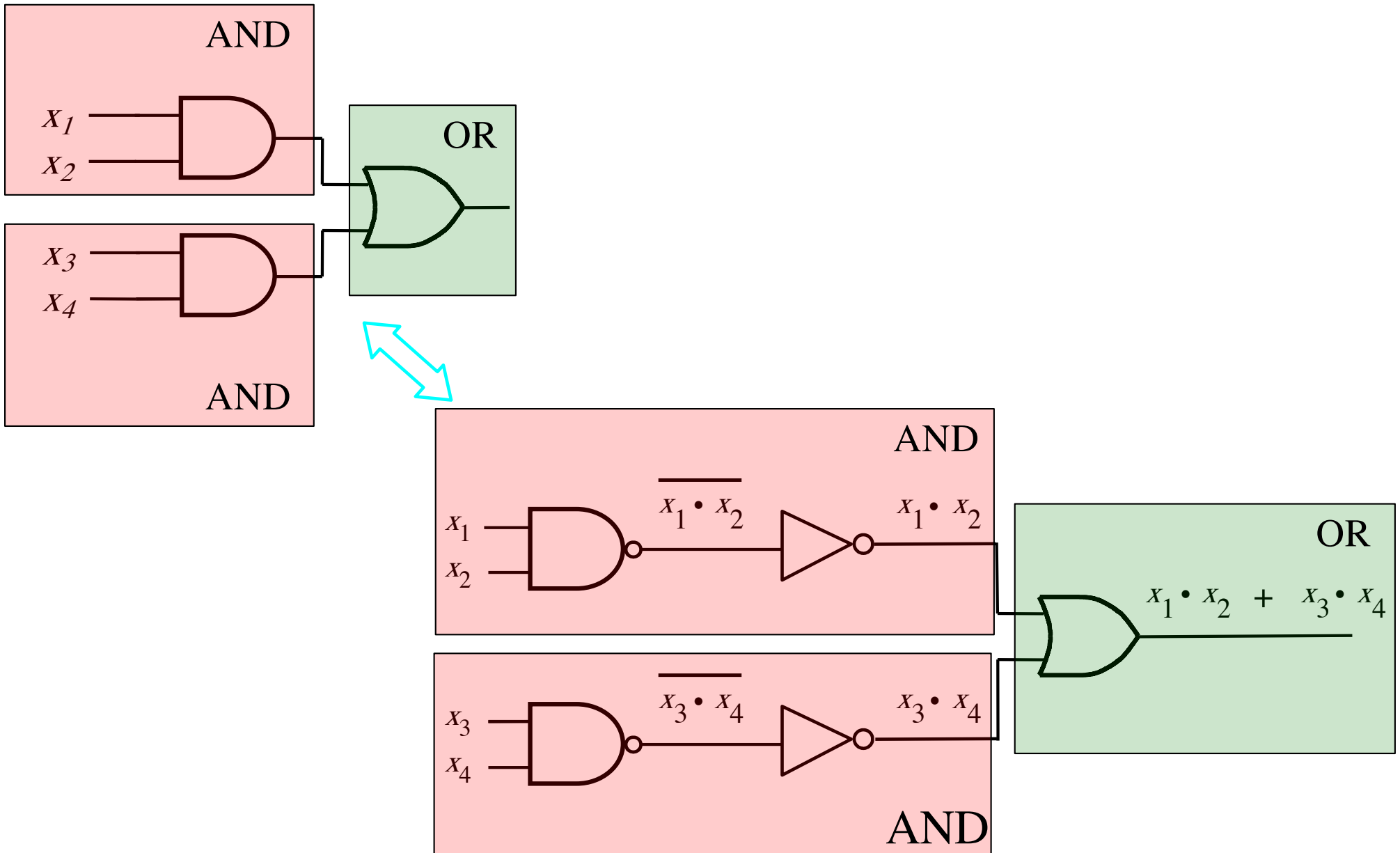
Sum-Of-Products



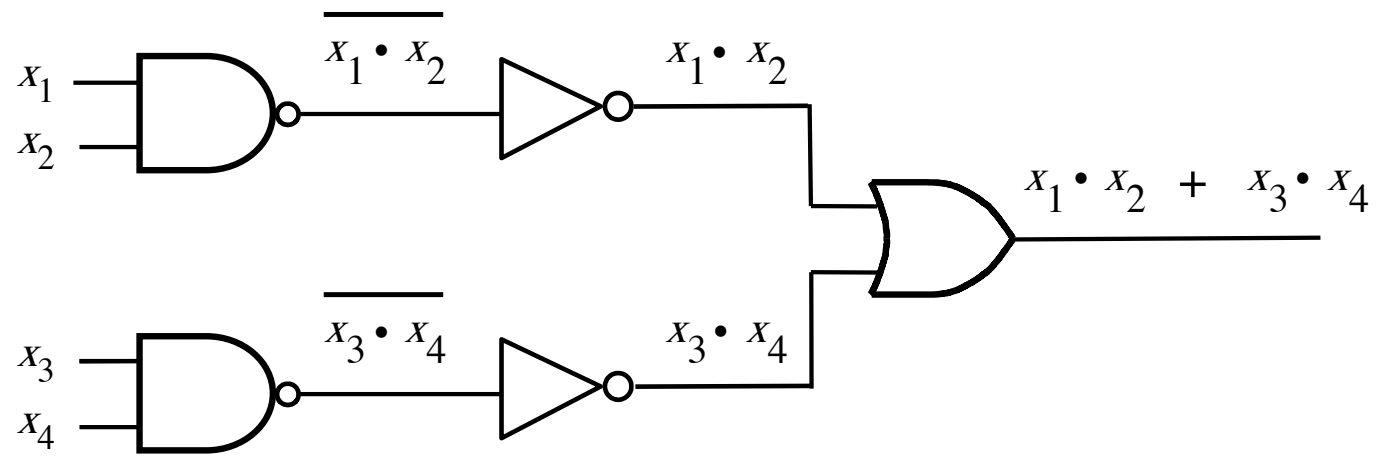
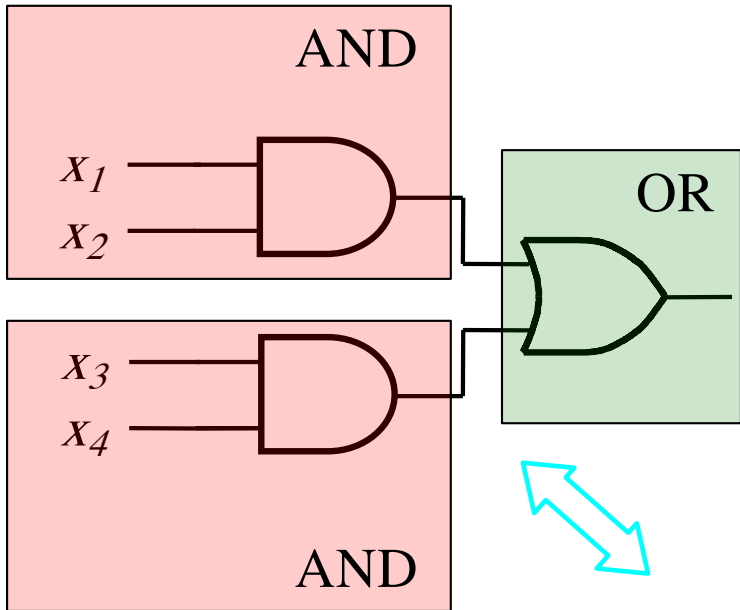
Sum-Of-Products



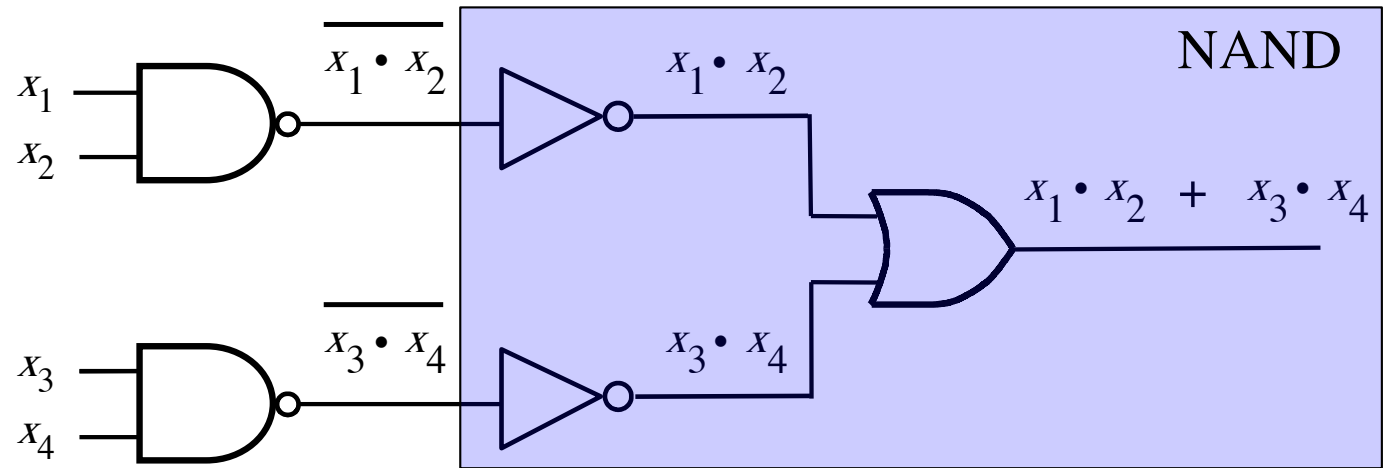
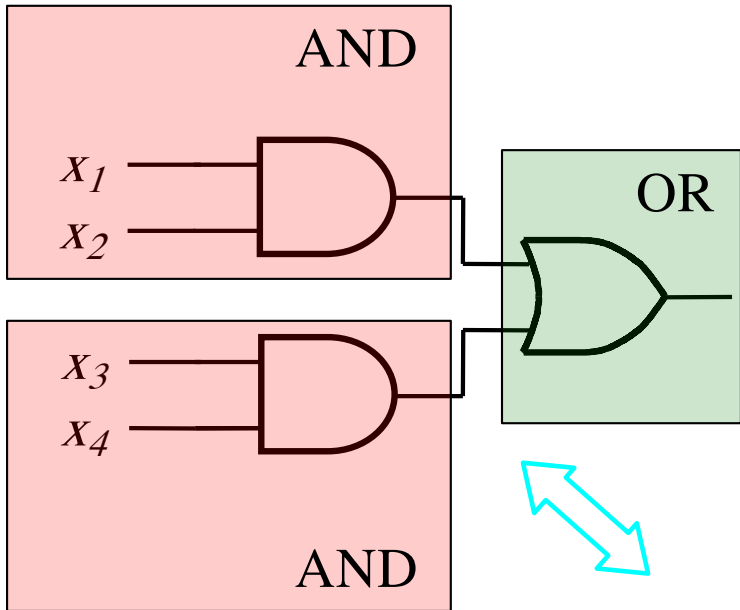
Sum-Of-Products



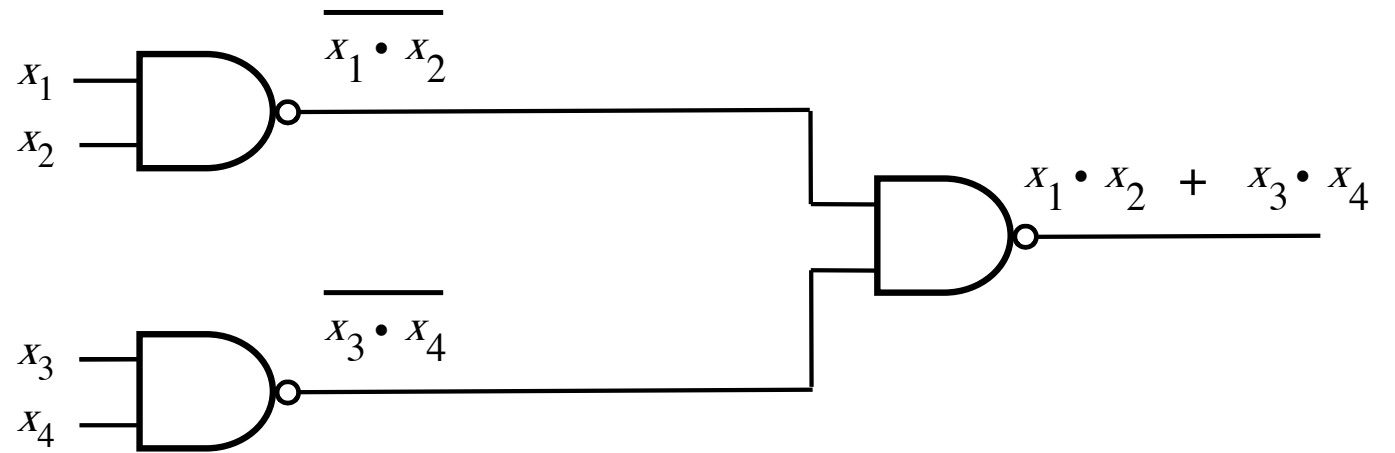
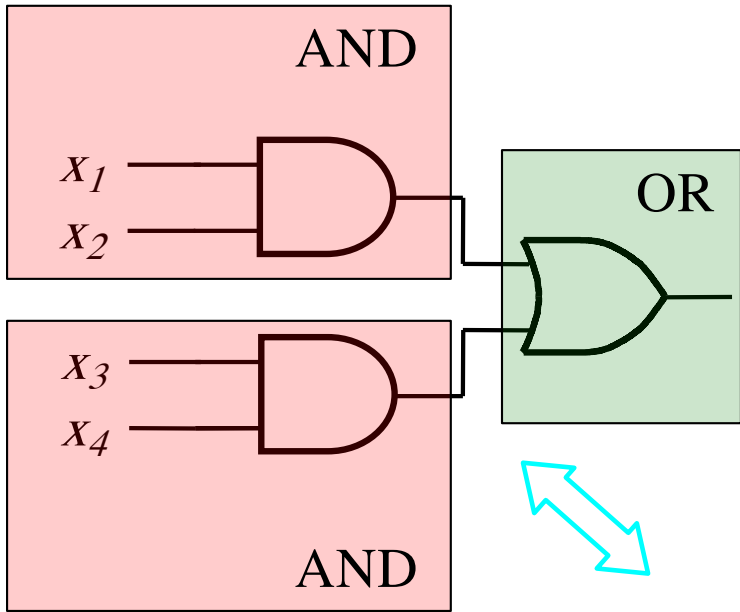
Sum-Of-Products



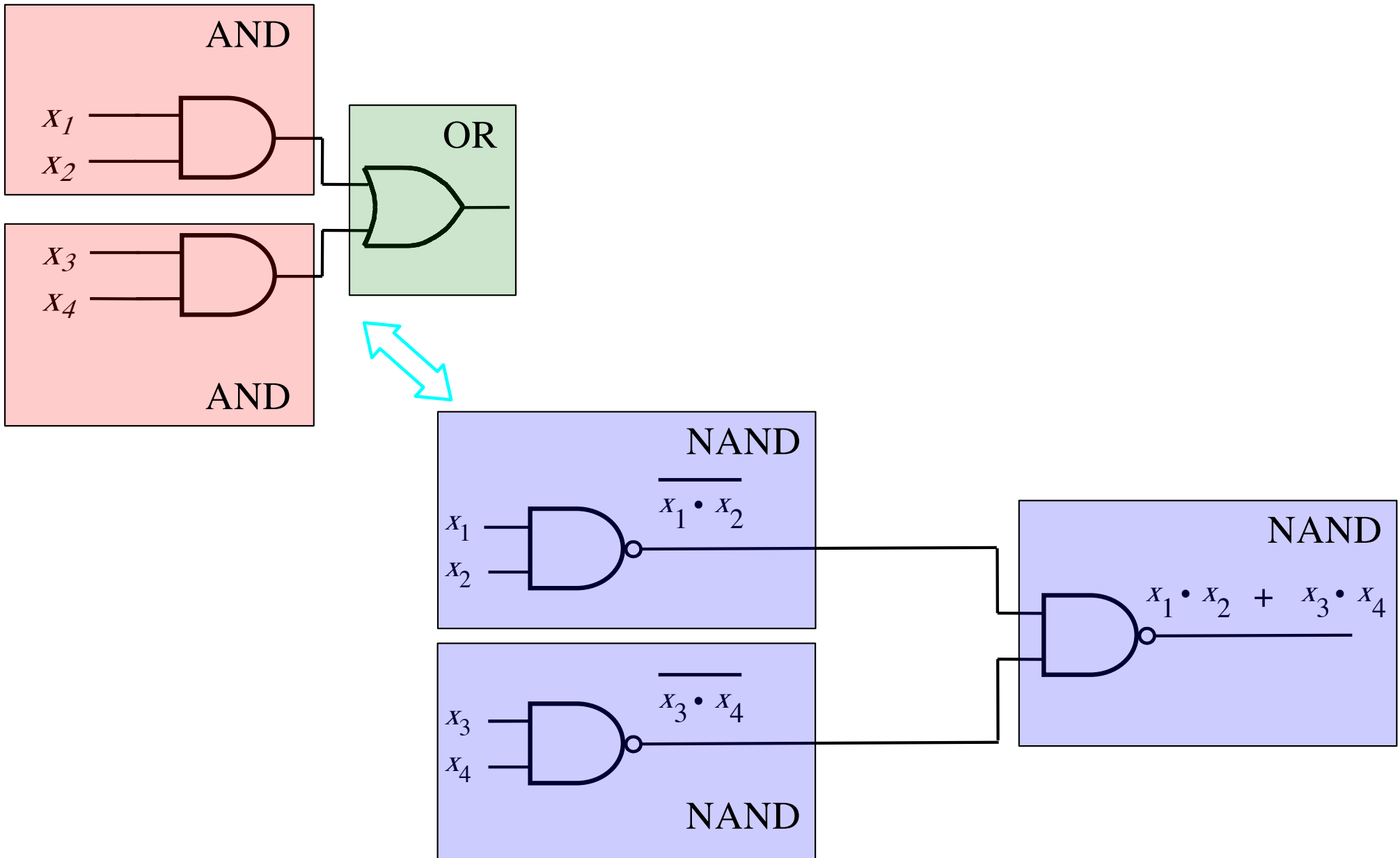
Sum-Of-Products



Sum-Of-Products

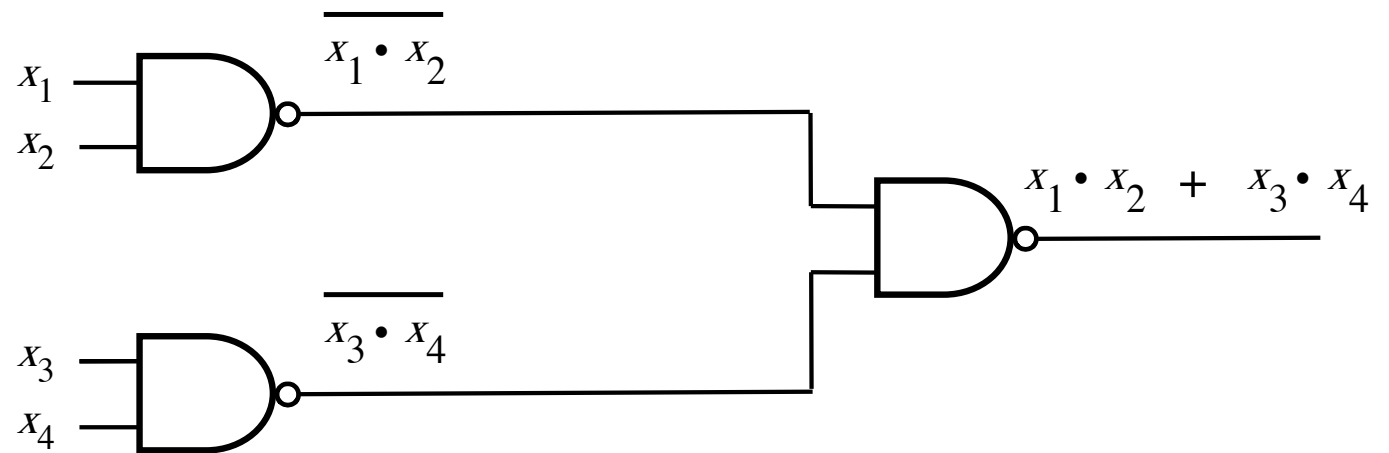
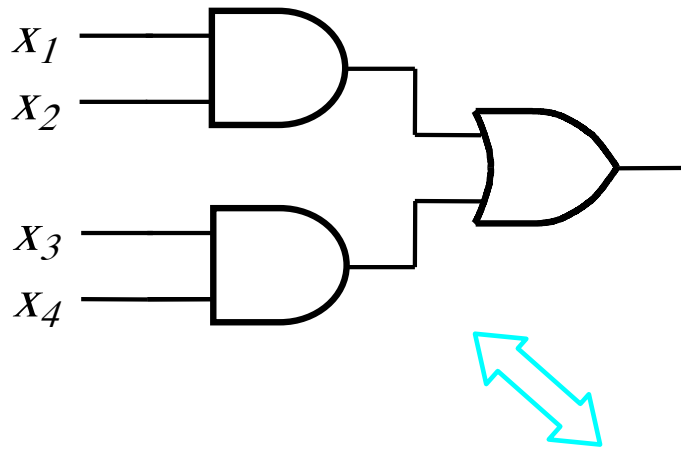


Sum-Of-Products



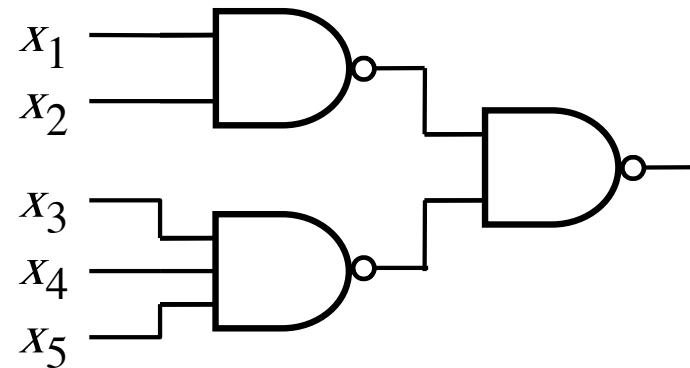
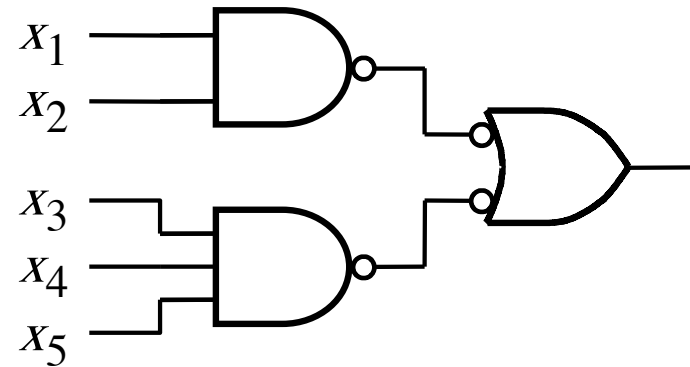
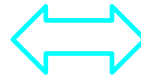
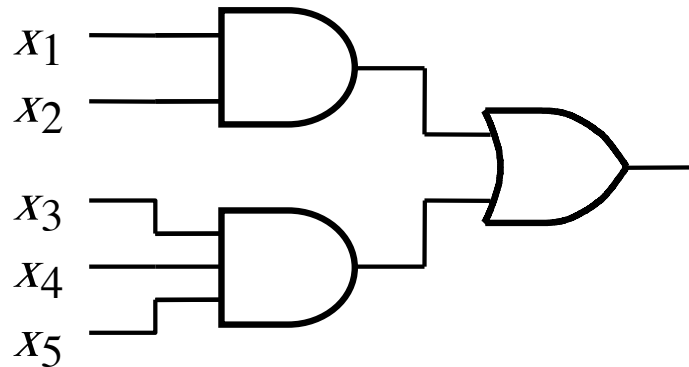
This circuit uses only NANDs

Sum-Of-Products



This circuit uses only NANDs

Another SOP Example

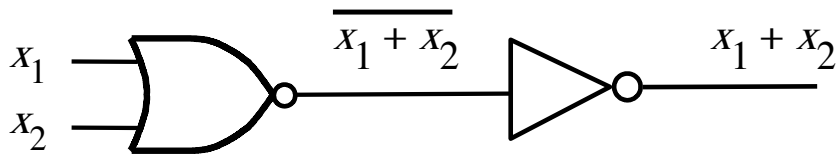


This circuit uses ANDs & OR

This circuit uses only NANDs

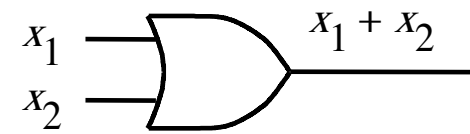
NOR-NOR Implementation of Product-of-Sums Expressions

NOR followed by NOT = OR



x_1	x_2	f
0	0	1
0	1	0
1	0	0
1	1	0

f
0
1
1
1



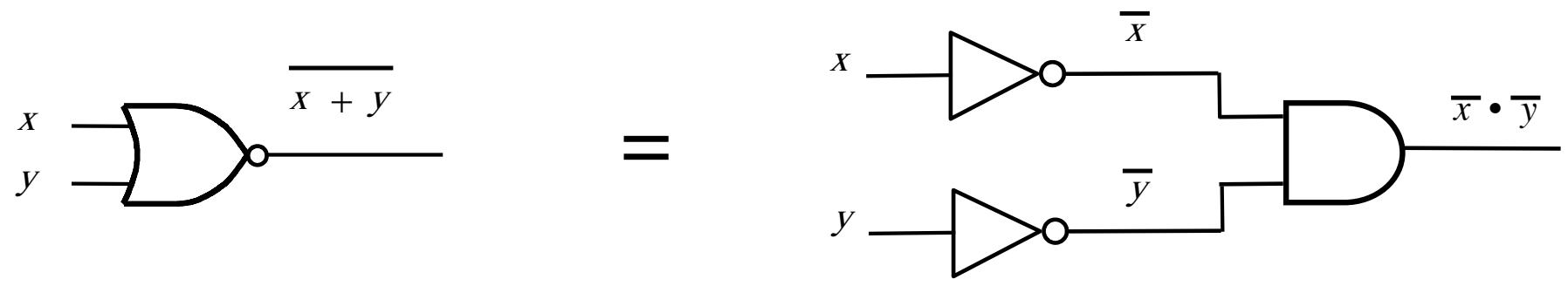
x_1	x_2	f
0	0	0
0	1	1
1	0	1
1	1	1

DeMorgan's Theorem

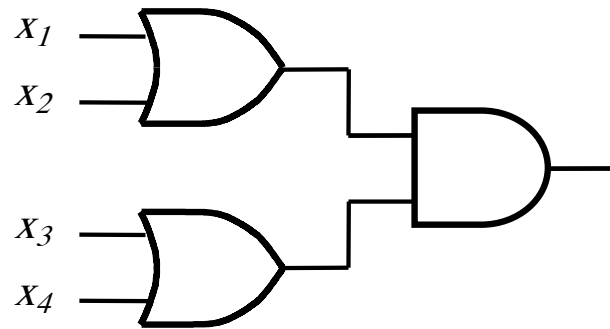
$$15b. \quad \overline{x + y} = \bar{x} \cdot \bar{y}$$

DeMorgan's Theorem

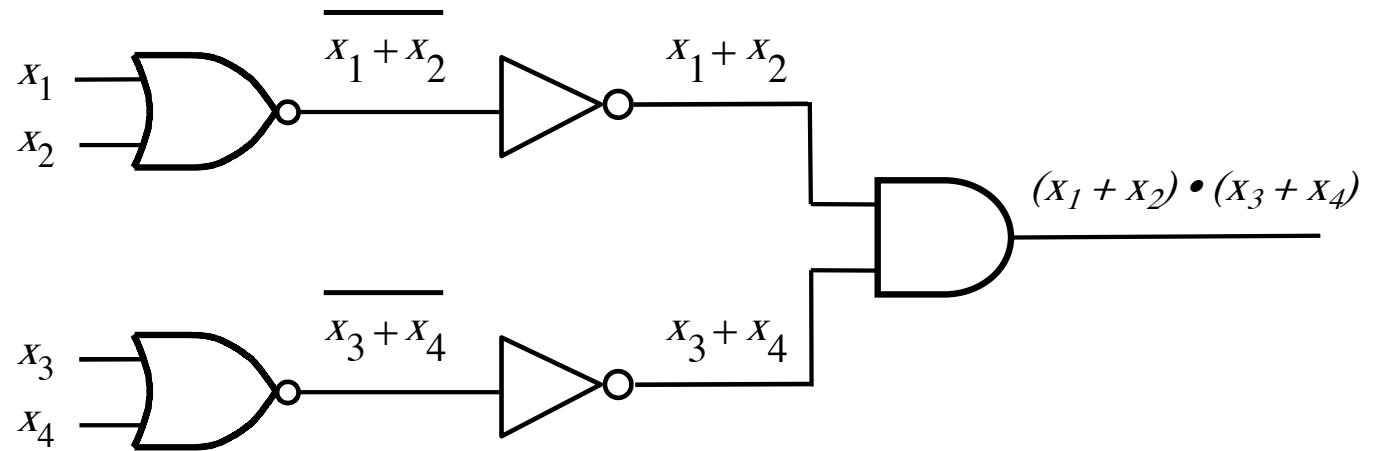
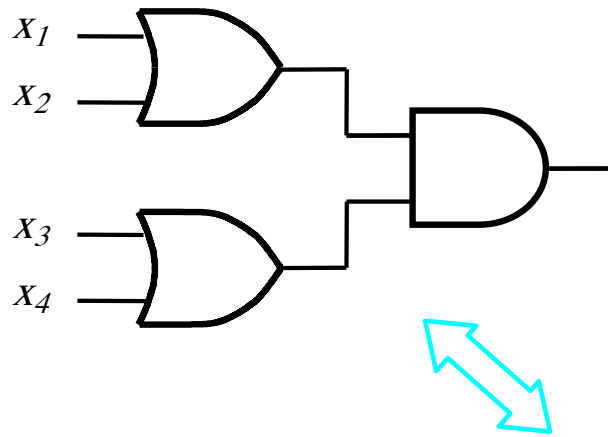
15b. $\overline{x + y} = \bar{x} \cdot \bar{y}$



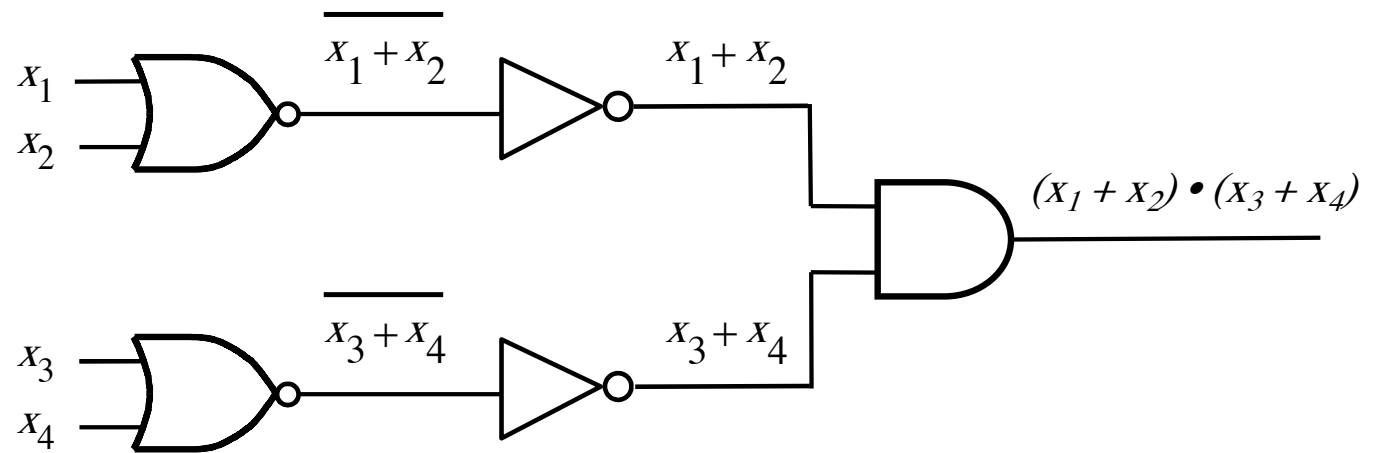
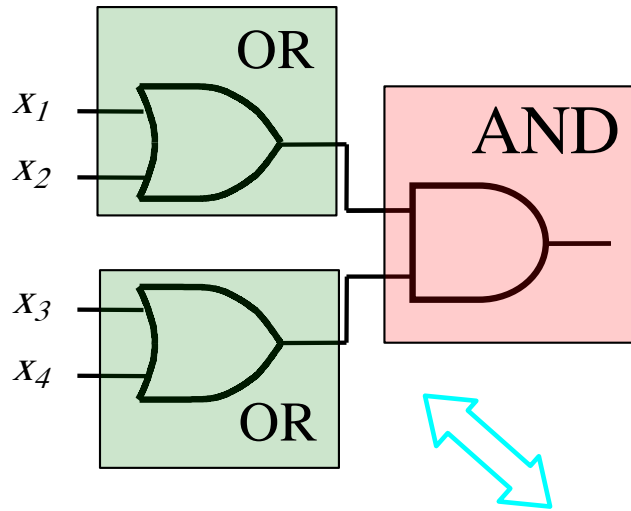
Product-Of-Sums



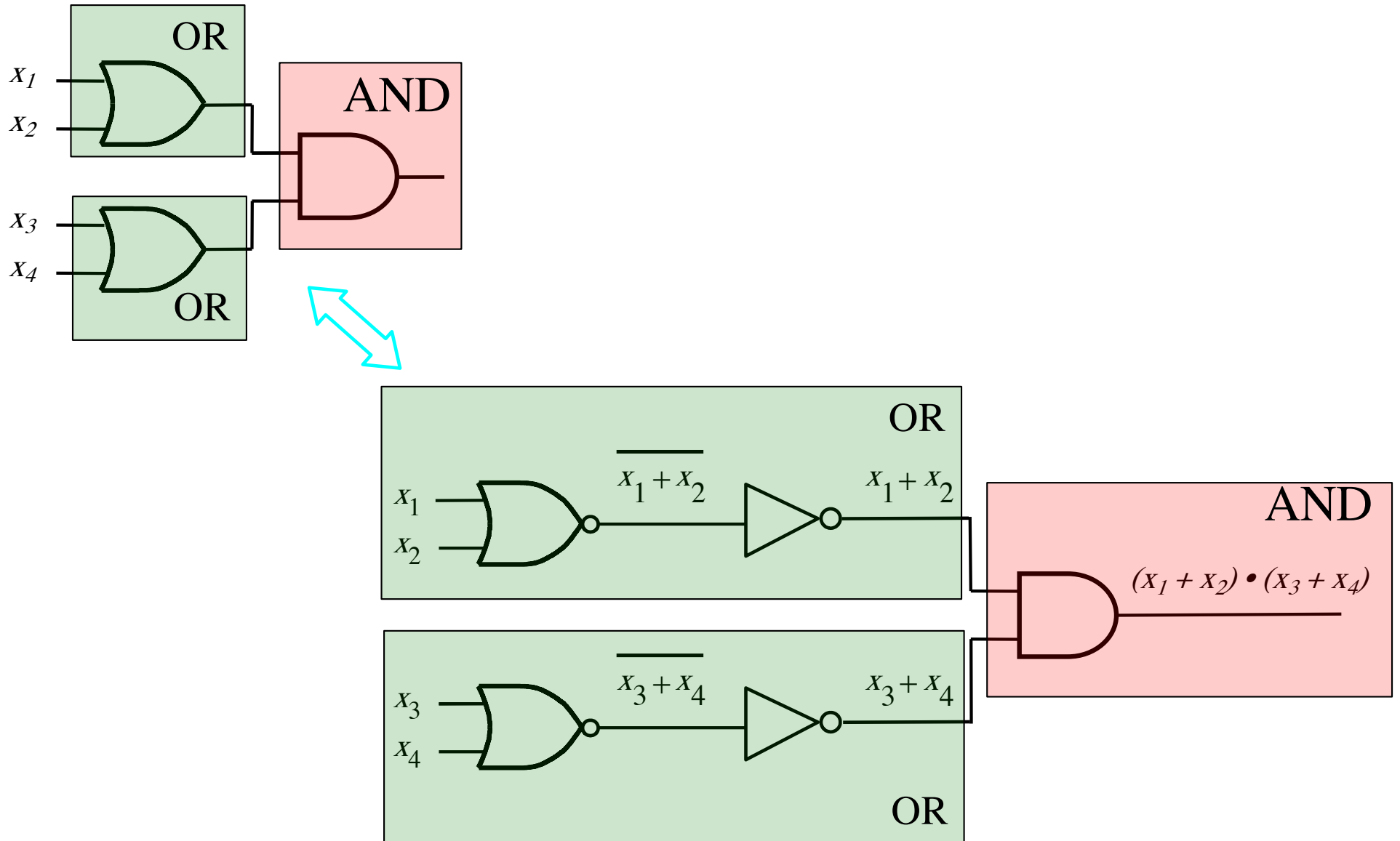
Product-Of-Sums



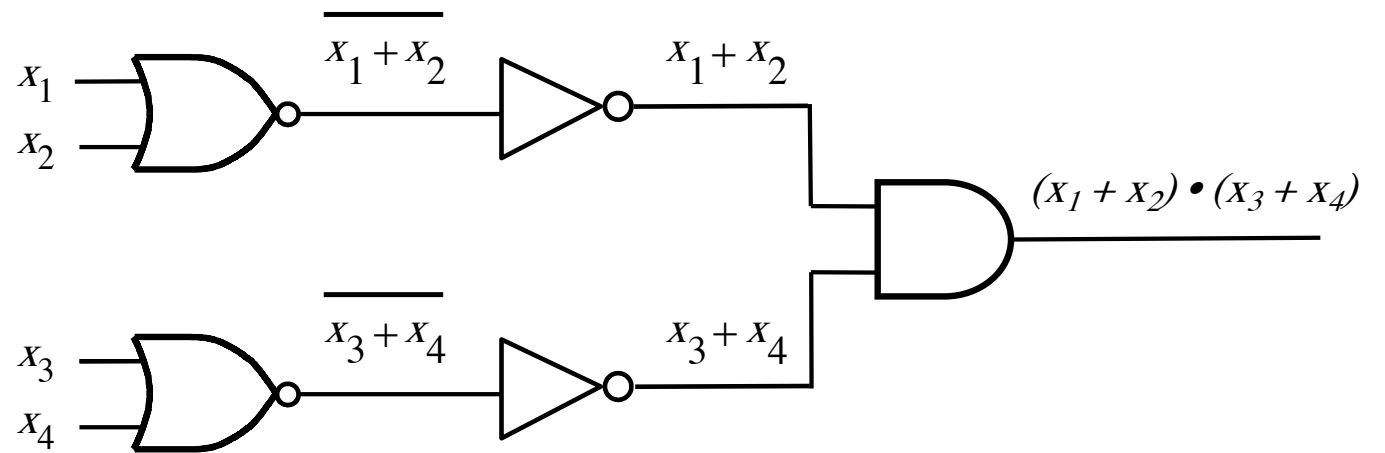
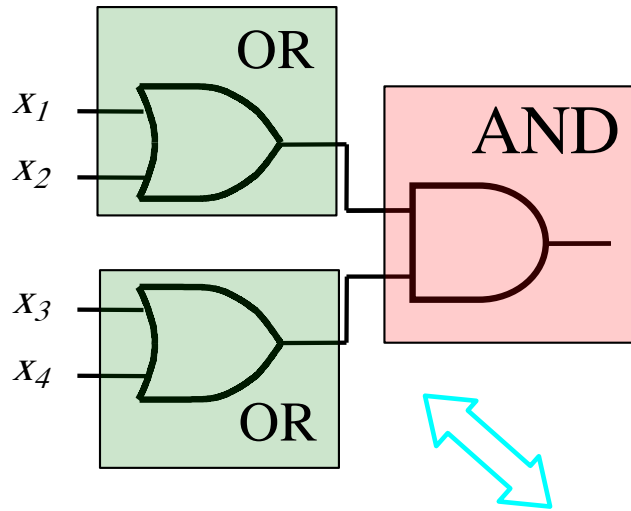
Product-Of-Sums



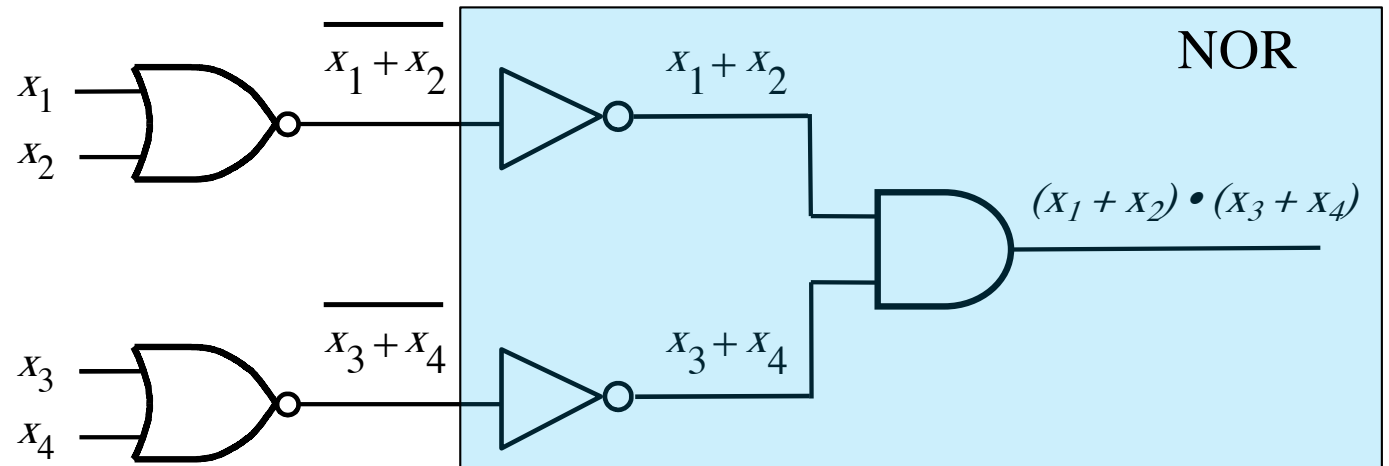
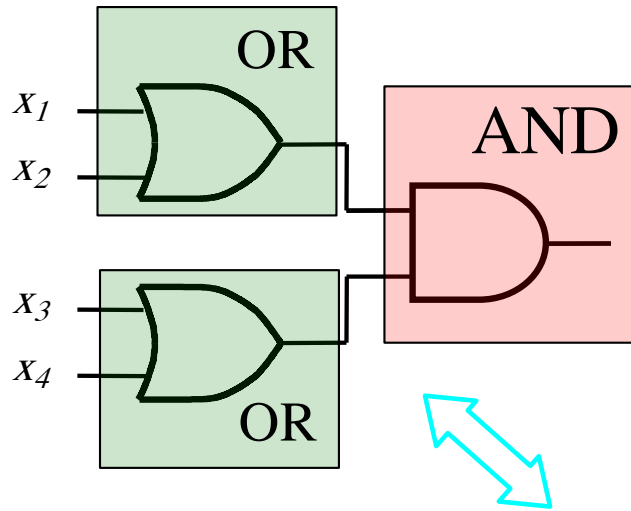
Product-Of-Sums



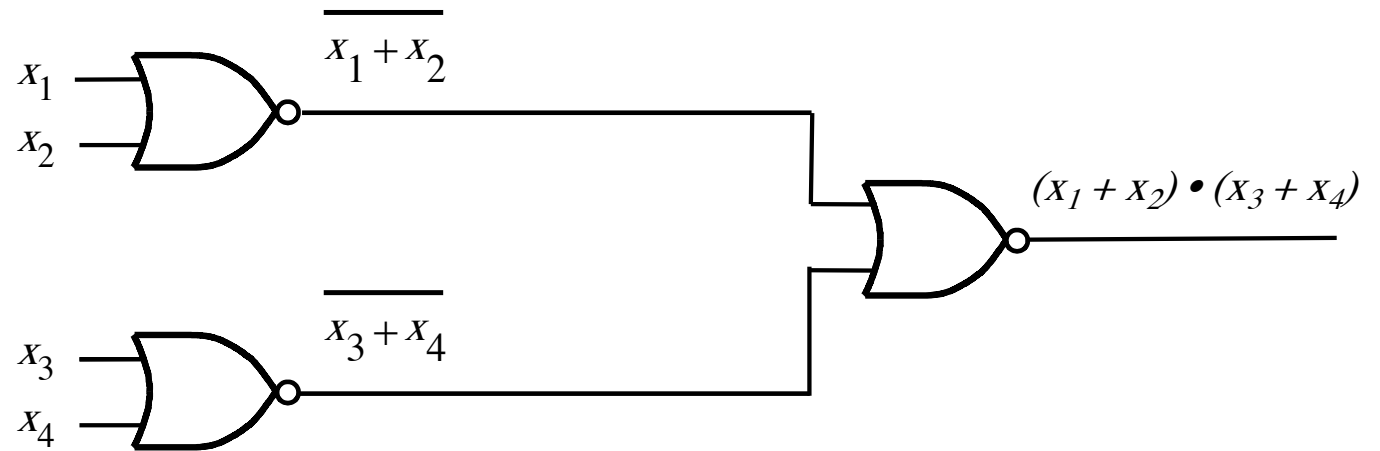
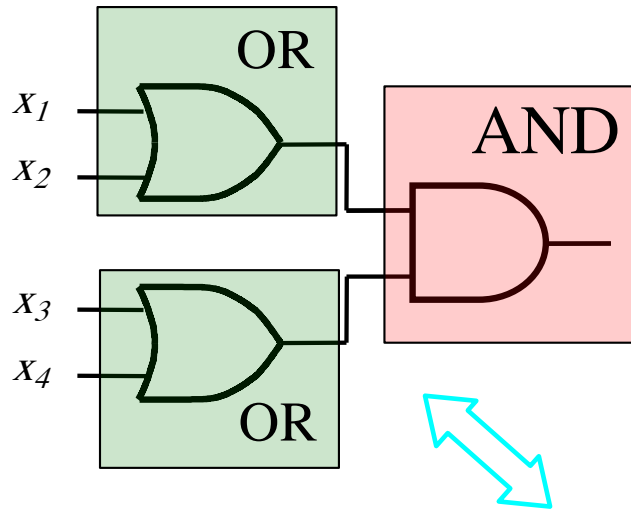
Product-Of-Sums



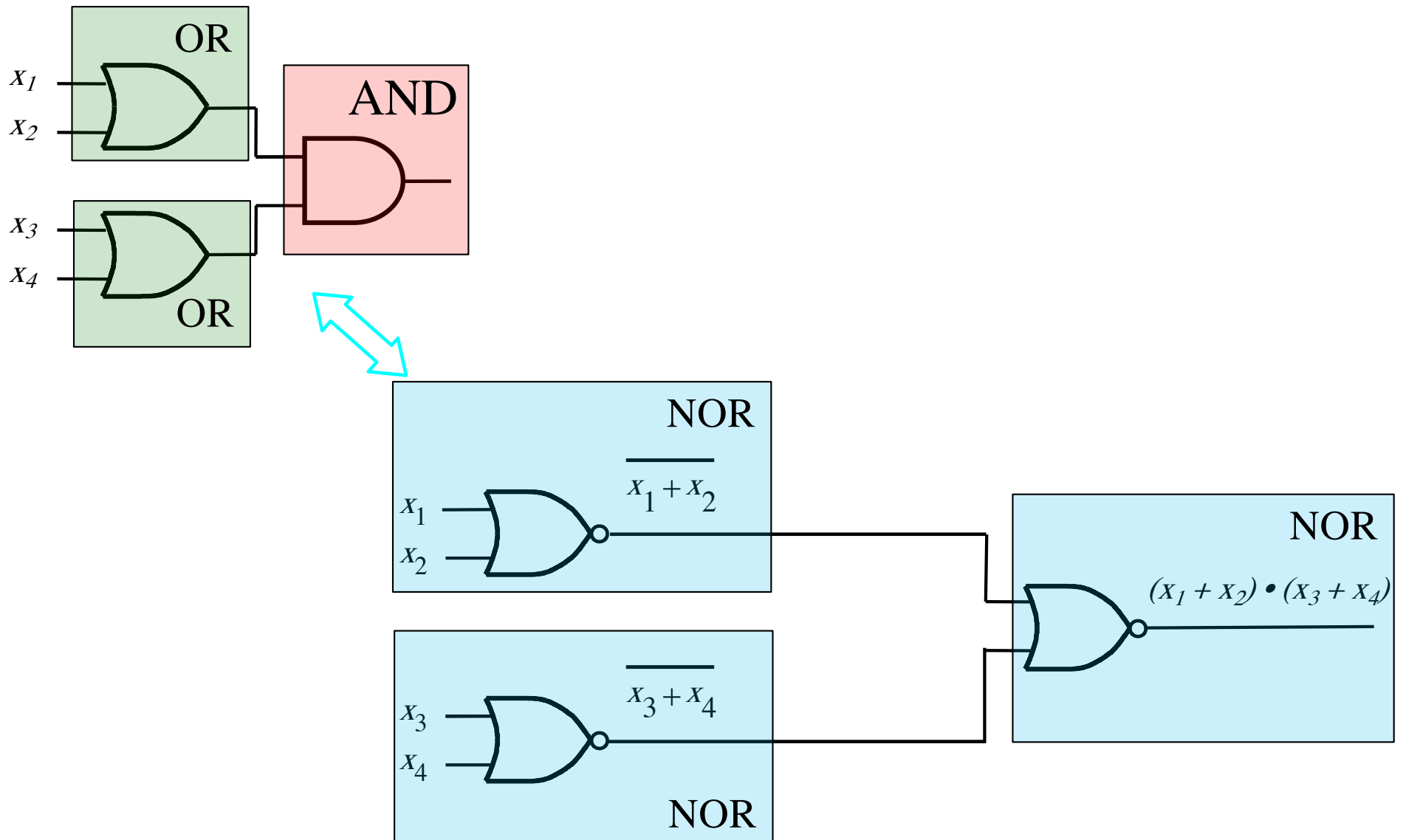
Product-Of-Sums



Product-Of-Sums

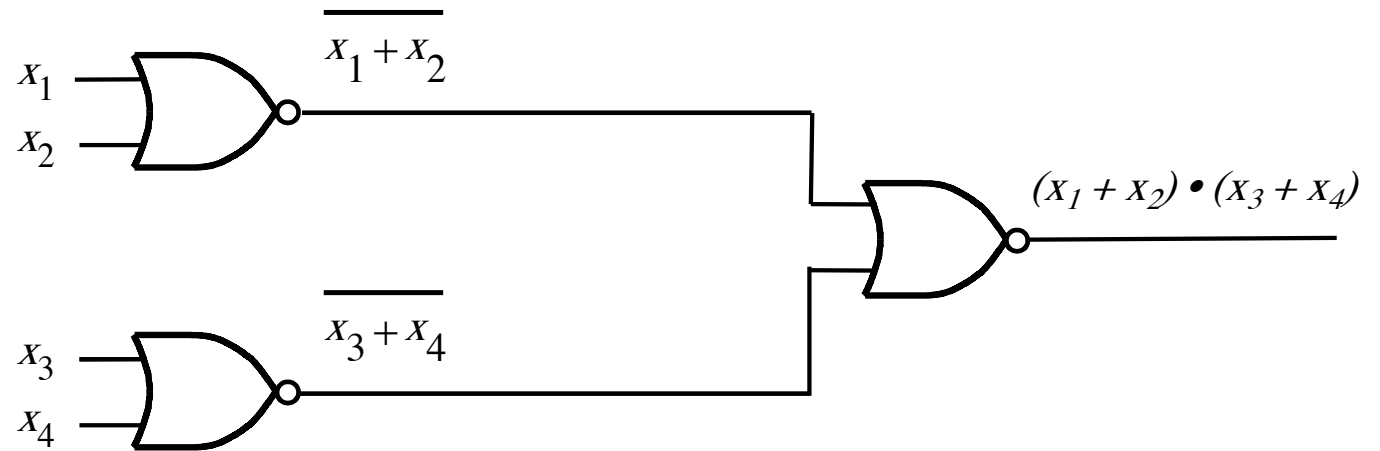
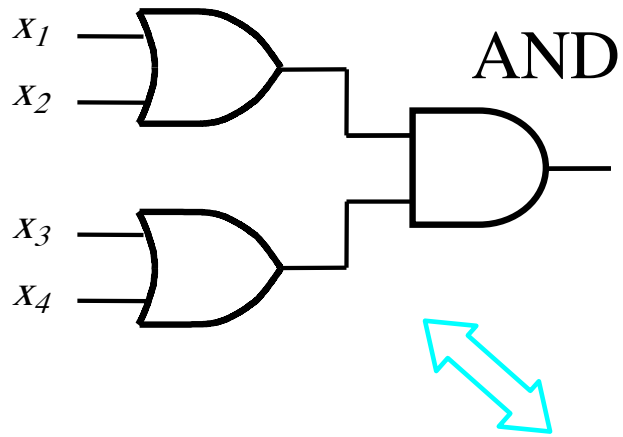


Product-Of-Sums



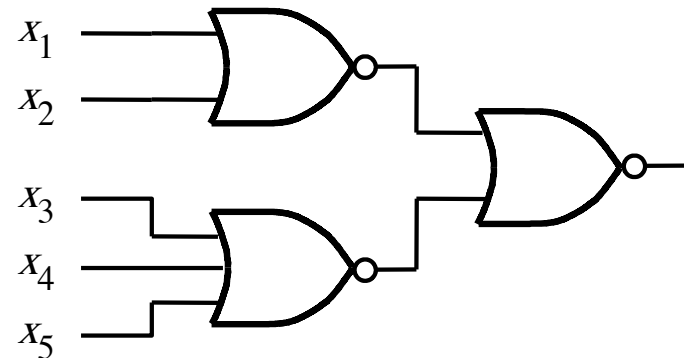
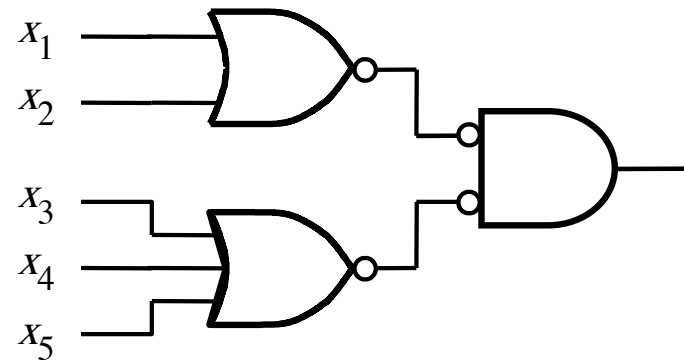
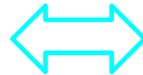
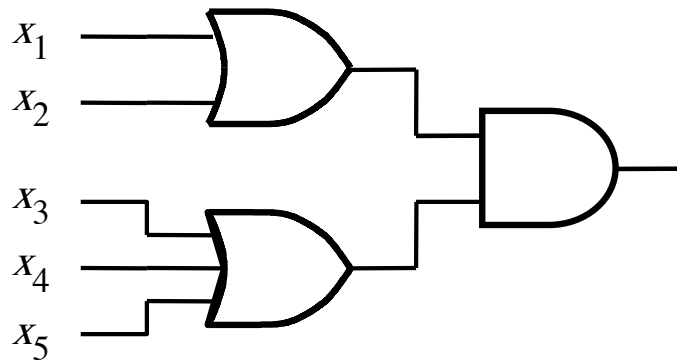
This circuit uses only NORs

Product-Of-Sums



This circuit uses only NORs

Another POS Example



This circuit uses ORs & AND

This circuit uses only NORs

Questions?

THE END