

# **CprE 281: Digital Logic**

**Instructor: Alexander Stoytchev**

**<http://www.ece.iastate.edu/~alexs/classes/>**

# Logic Gates

*CprE 281: Digital Logic*  
*Iowa State University, Ames, IA*  
*Copyright © Alexander Stoytchev*

# **Administrative Stuff**

- **HW1 is out**
- **It is due on Monday Aug 29 @ 4pm.**
- **Submit it on paper before the start of the lecture**
- **Please write clearly on the first page:**
  - **your name**
  - **student ID**
  - **lab section letter**

# Labs Next Week

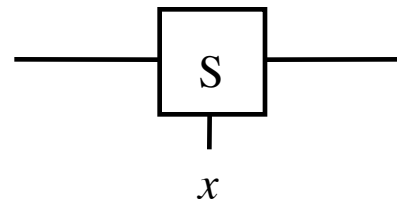
- Please download and read the lab assignment for next week before you go to your lab section.
- You must print the answer sheet and do the prelab before you go to the lab.
- The TAs will check your prelab answers at the **beginning of the recitation**. If you don't have it done you'll lose 20% of the lab grade for that lab.



# A Binary Switch

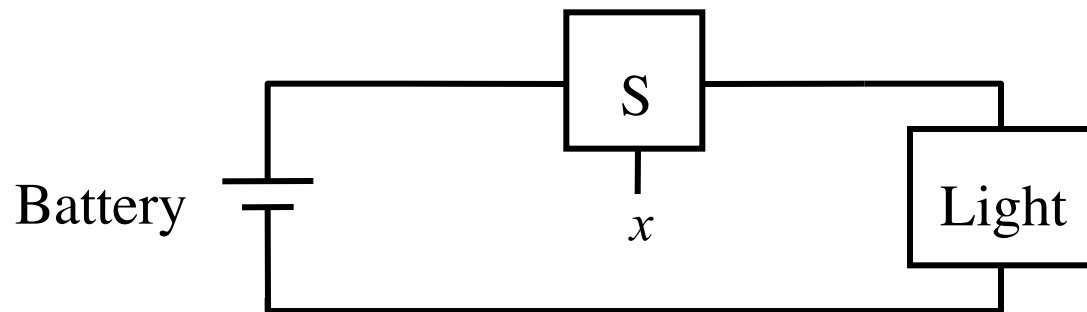


(a) Two states of a switch



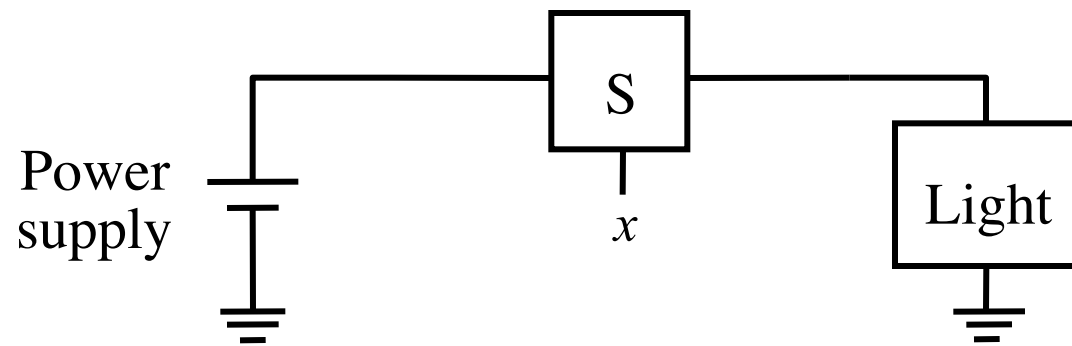
(b) Symbol for a switch

# A Light Controlled by a Switch



(a) Simple connection to a battery

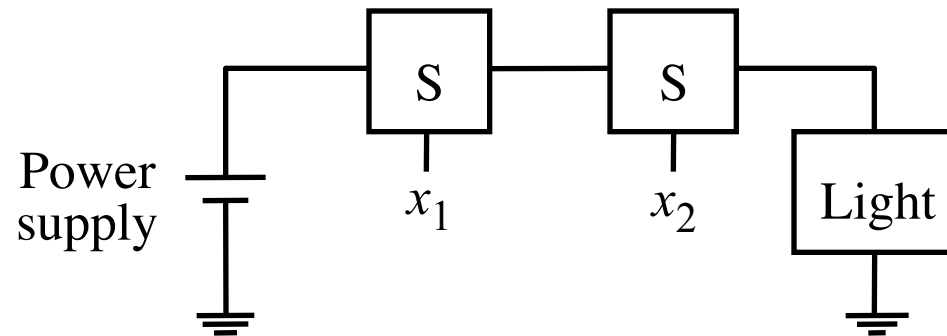
# A Light Controlled by a Switch



(b) Using a ground connection as the return path

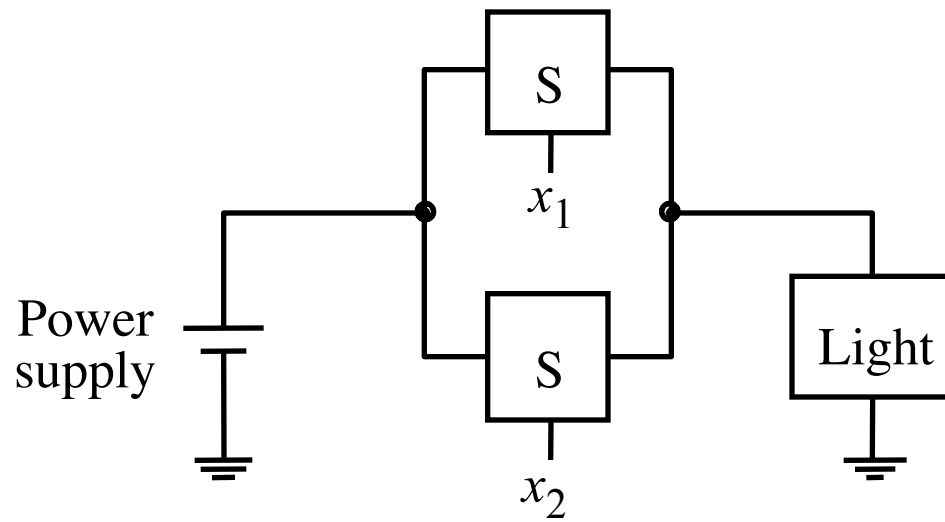


# The Logical AND function (series connection of the switches)



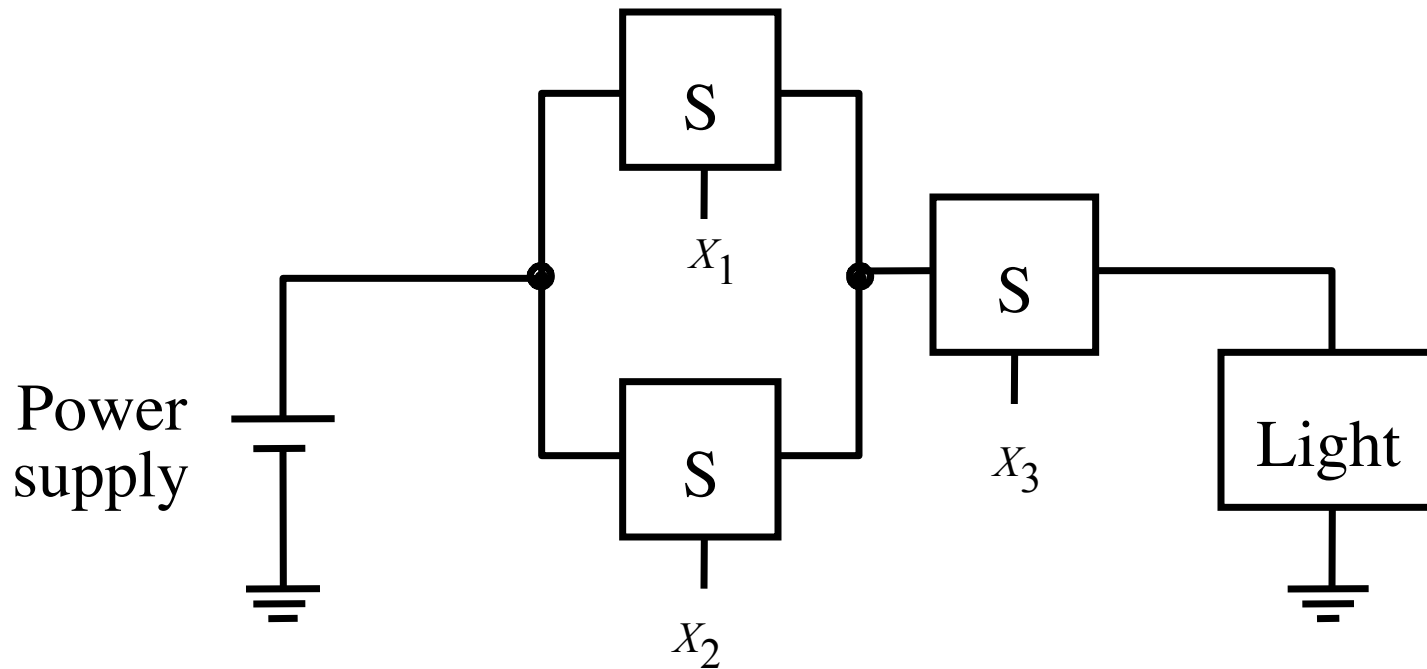
[ Figure 2.3a from the textbook ]

# The Logical OR function (parallel connection of the switches)



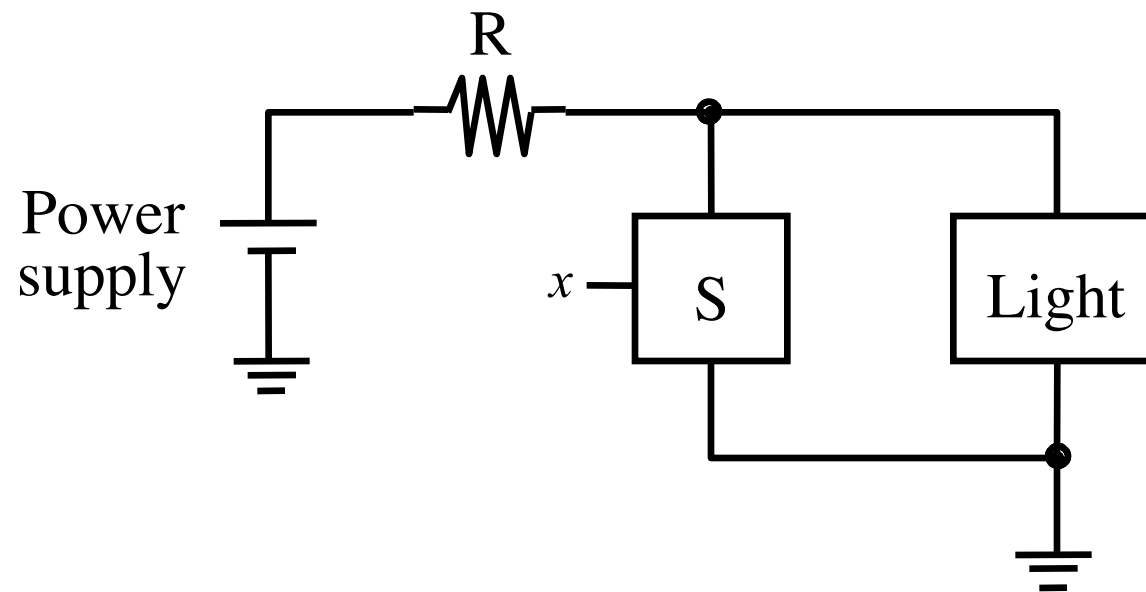
[ Figure 2.3b from the textbook ]

# A series-parallel connection of the switches



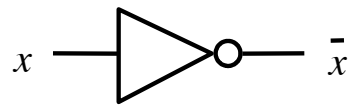
[ Figure 2.4 from the textbook ]

# An Inverting Circuit

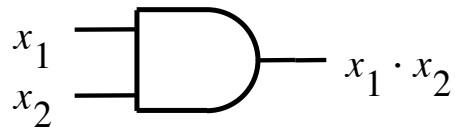


[ Figure 2.5 from the textbook ]

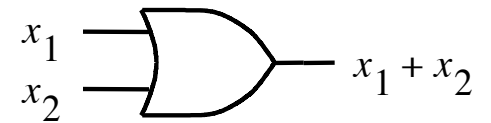
# The Three Basic Logic Gates



NOT gate

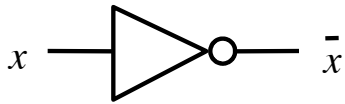


AND gate



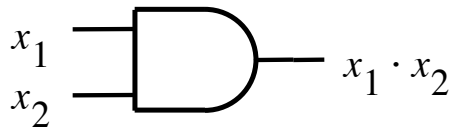
OR gate

# Truth Table for NOT



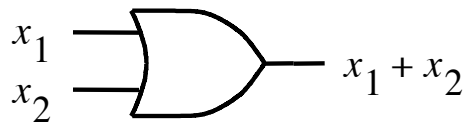
$x$	$\bar{x}$
0	1
1	0

# Truth Table for AND



$x_1$	$x_2$	$x_1 \cdot x_2$
0	0	0
0	1	0
1	0	0
1	1	1

# Truth Table for OR



$x_1$	$x_2$	$x_1 + x_2$
0	0	0
0	1	1
1	0	1
1	1	1



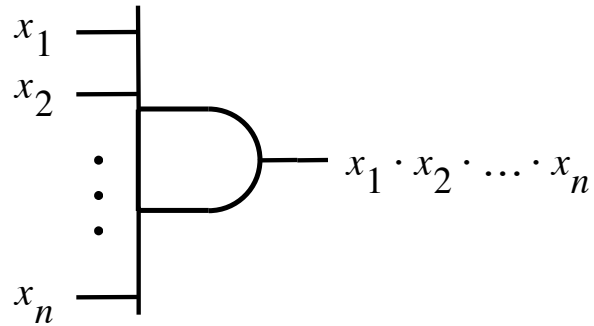
# Truth Tables for AND and OR

$x_1$	$x_2$	$x_1 \cdot x_2$	$x_1 + x_2$
0	0	0	0
0	1	0	1
1	0	0	1
1	1	1	1

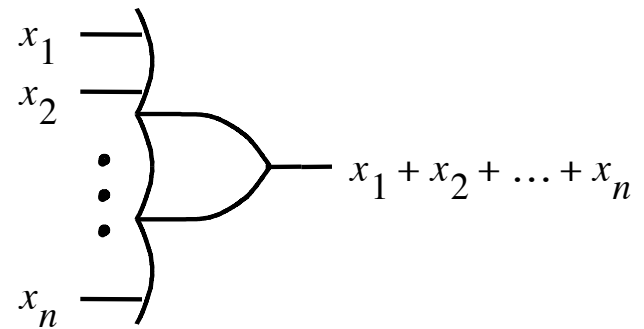
AND

OR

# Logic Gates with n Inputs



AND gate

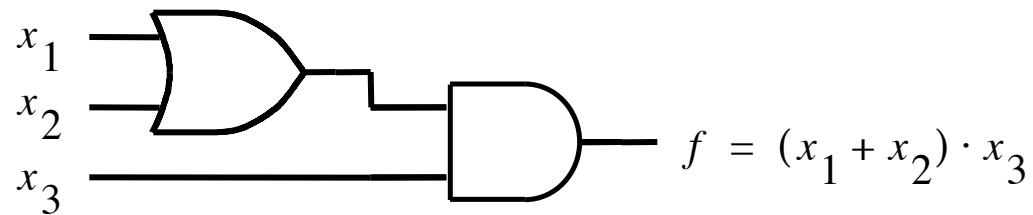


OR gate

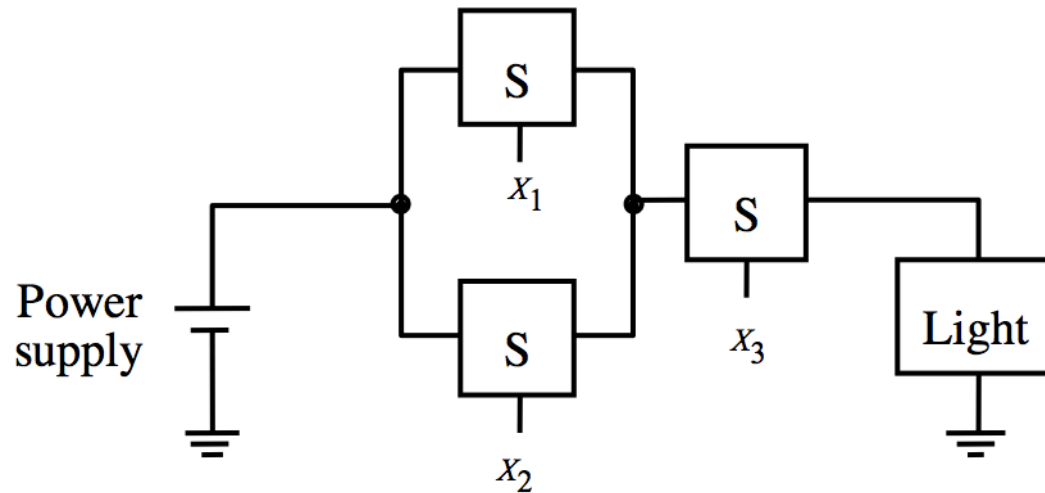
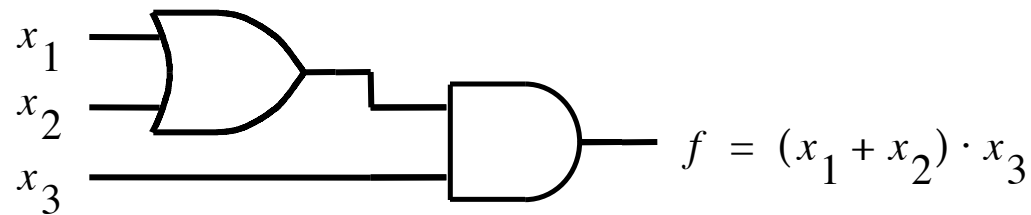
# Truth Table for 3-input AND and OR

$x_1$	$x_2$	$x_3$	$x_1 \cdot x_2 \cdot x_3$	$x_1 + x_2 + x_3$
0	0	0	0	0
0	0	1	0	1
0	1	0	0	1
0	1	1	0	1
1	0	0	0	1
1	0	1	0	1
1	1	0	0	1
1	1	1	1	1

# Example of a Logic Circuit Implemented with Logic Gates

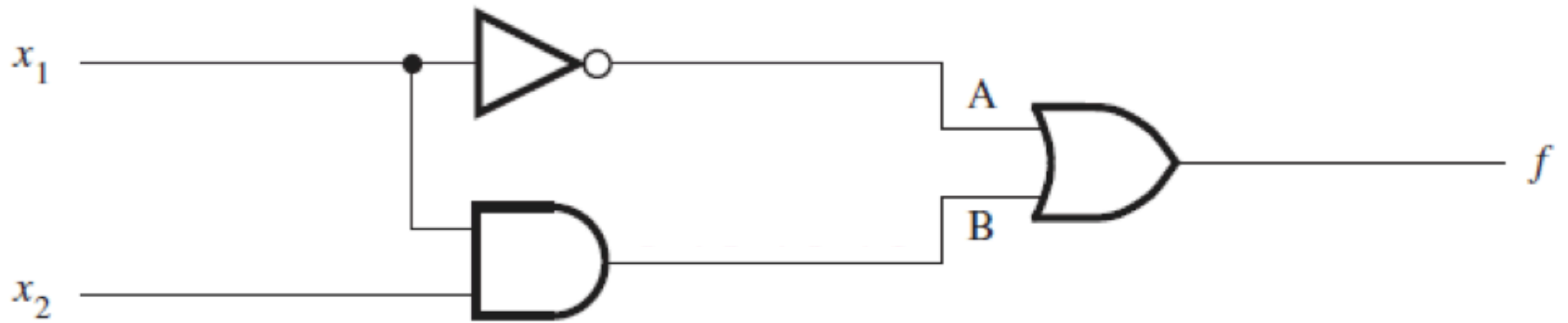


# Example of a Logic Circuit Implemented with Logic Gates



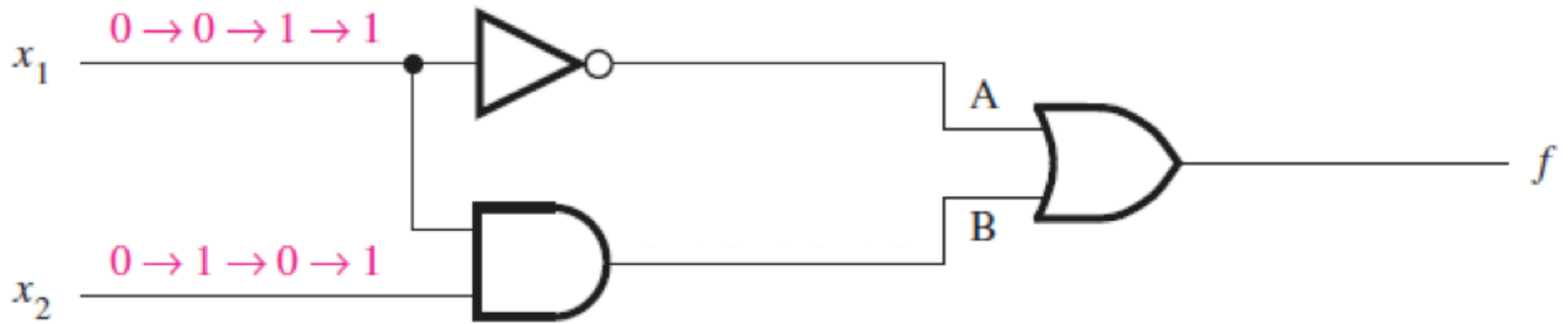
[ Figure 2.8 from the textbook ]

# Network Analysis



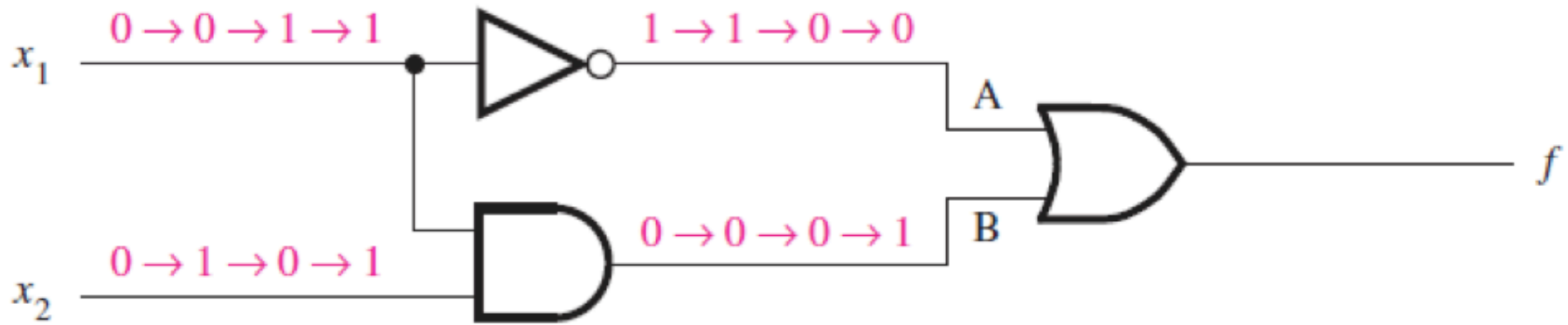
(a) Network that implements  $f = \bar{x}_1 + x_1 \cdot x_2$

# Network Analysis



(a) Network that implements  $f = \bar{x}_1 + x_1 \cdot x_2$

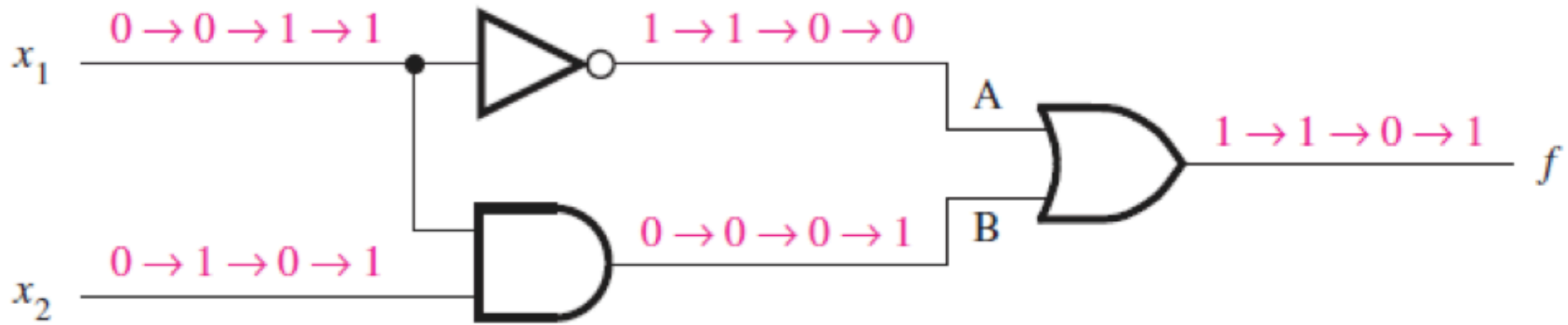
# Network Analysis



(a) Network that implements  $f = \bar{x}_1 + x_1 \cdot x_2$

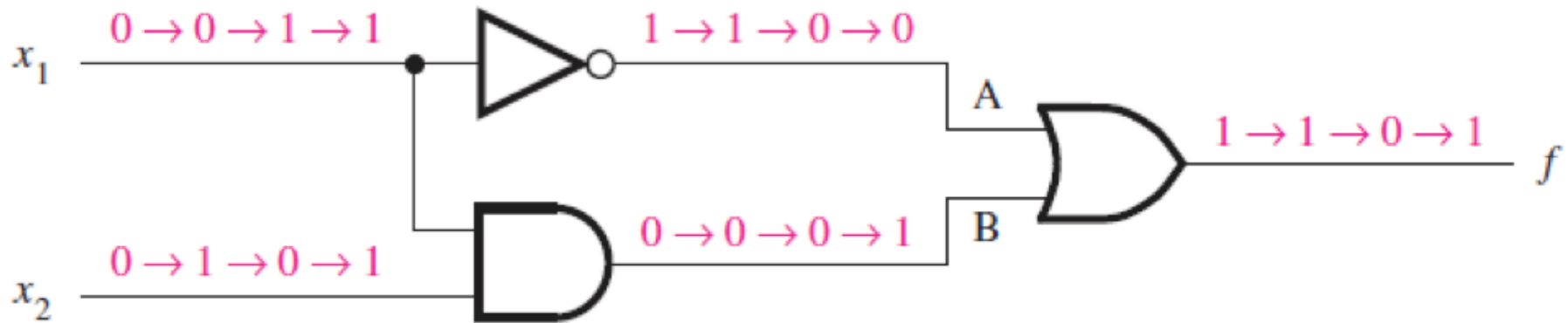


# Network Analysis

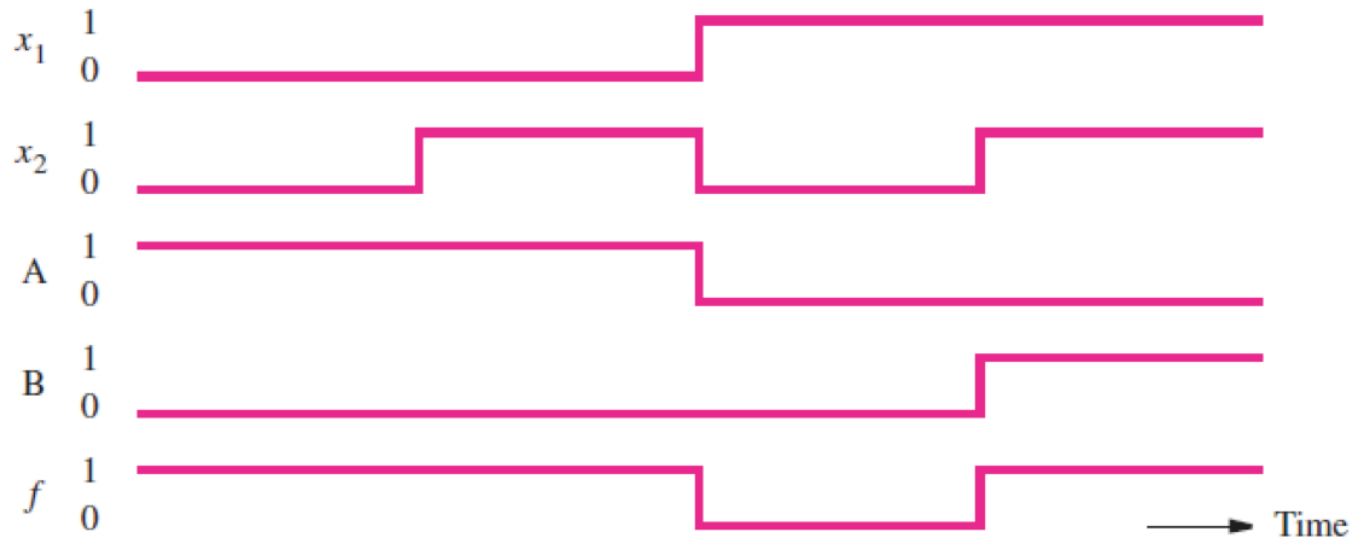


(a) Network that implements  $f = \bar{x}_1 + x_1 \cdot x_2$

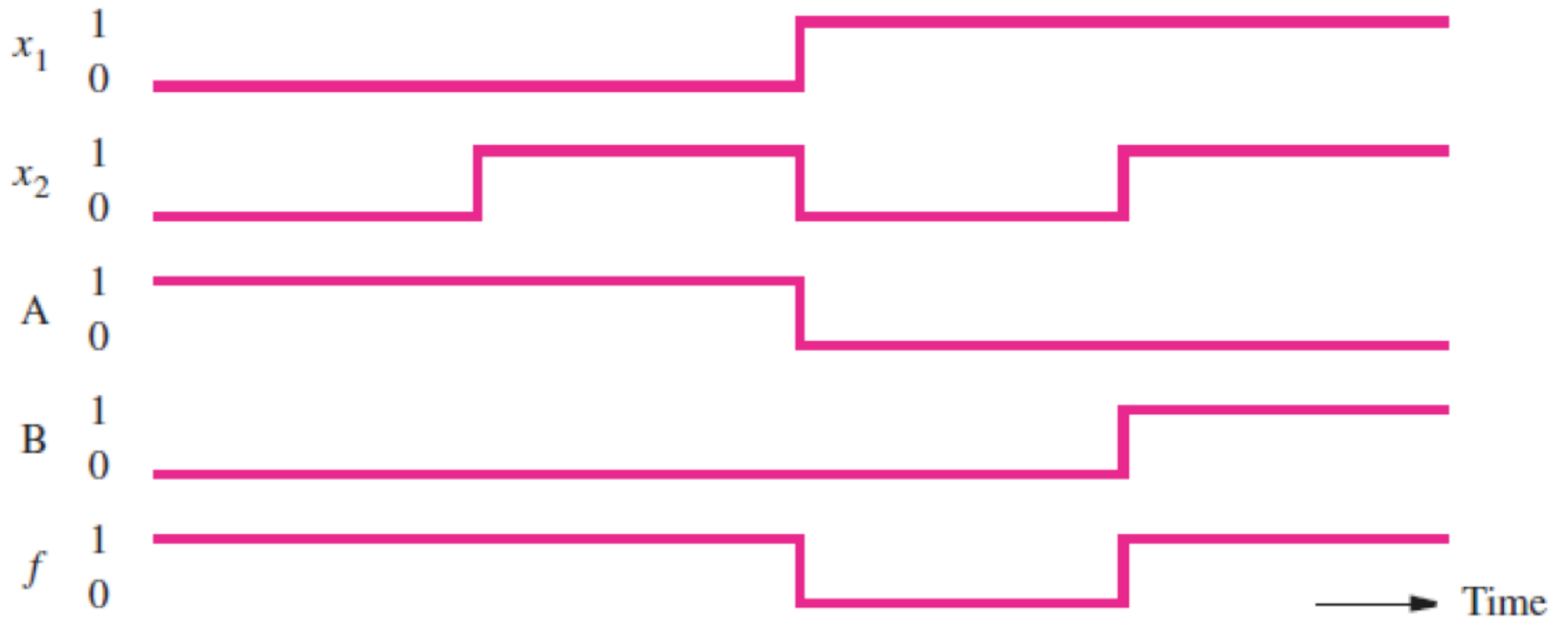
# Network Analysis



(a) Network that implements  $f = \bar{x}_1 + x_1 \cdot x_2$



# Timing Diagram

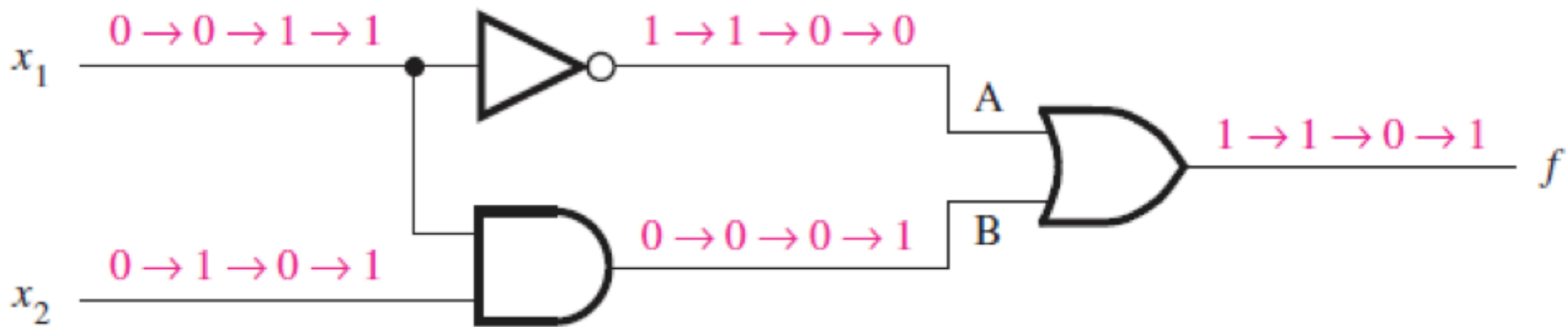


[ Figure 2.10 from the textbook ]

# Truth Table for this Network

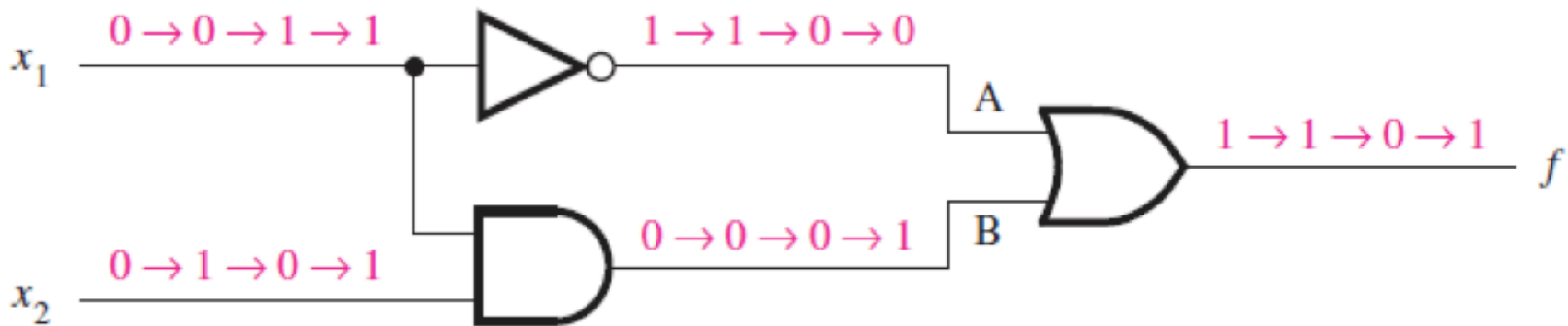
$x_1$	$x_2$	$f(x_1, x_2)$	A	B
0	0	1	1	0
0	1	1	1	0
1	0	0	0	0
1	1	1	0	1

# Functionally Equivalent Networks

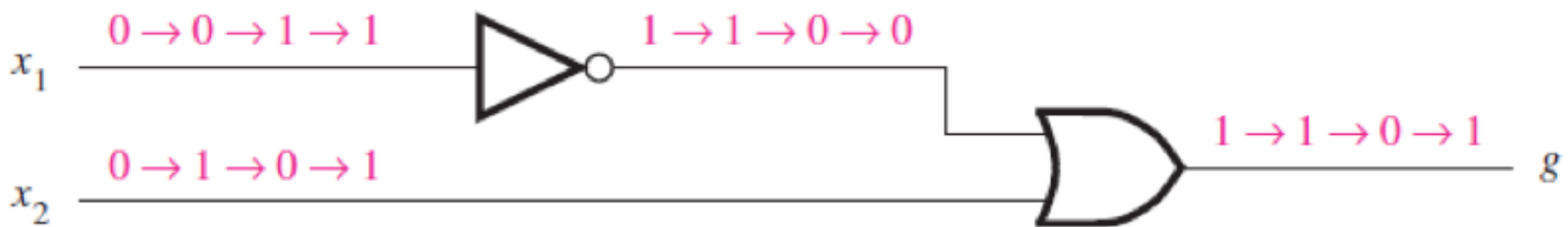


(a) Network that implements  $f = \bar{x}_1 + x_1 \cdot x_2$

# Functionally Equivalent Networks

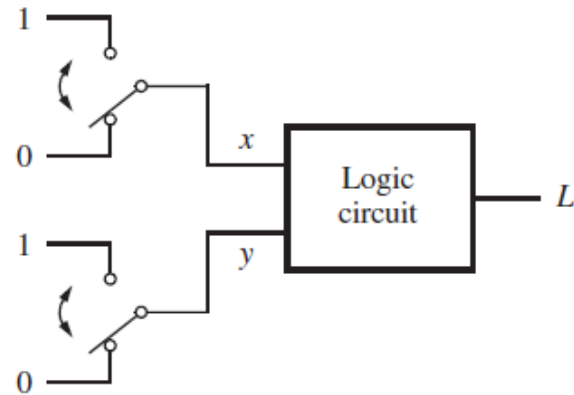


(a) Network that implements  $f = \bar{x}_1 + x_1 \cdot x_2$



(d) Network that implements  $g = \bar{x}_1 + x_2$

# The XOR Logic Gate

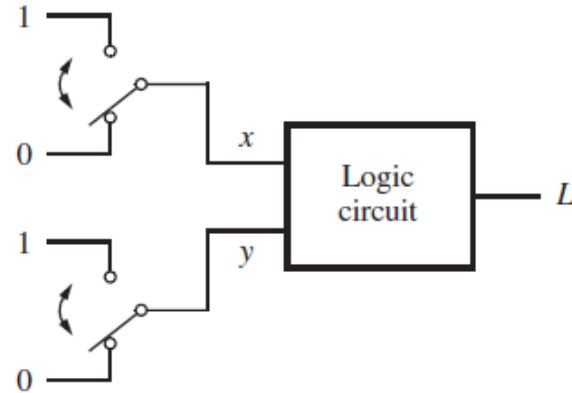


(a) Two switches that control a light

$x$	$y$	$L$
0	0	0
0	1	1
1	0	1
1	1	0

(b) Truth table

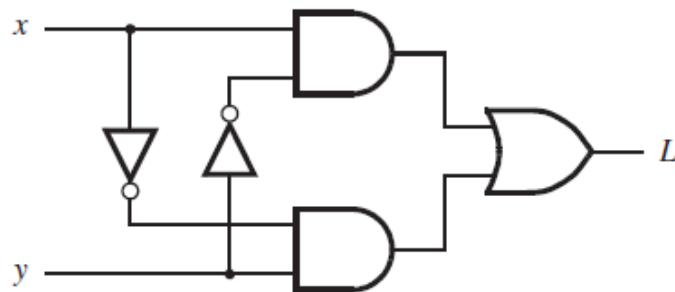
# The XOR Logic Gate



(a) Two switches that control a light

$x$	$y$	$L$
0	0	0
0	1	1
1	0	1
1	1	0

(b) Truth table



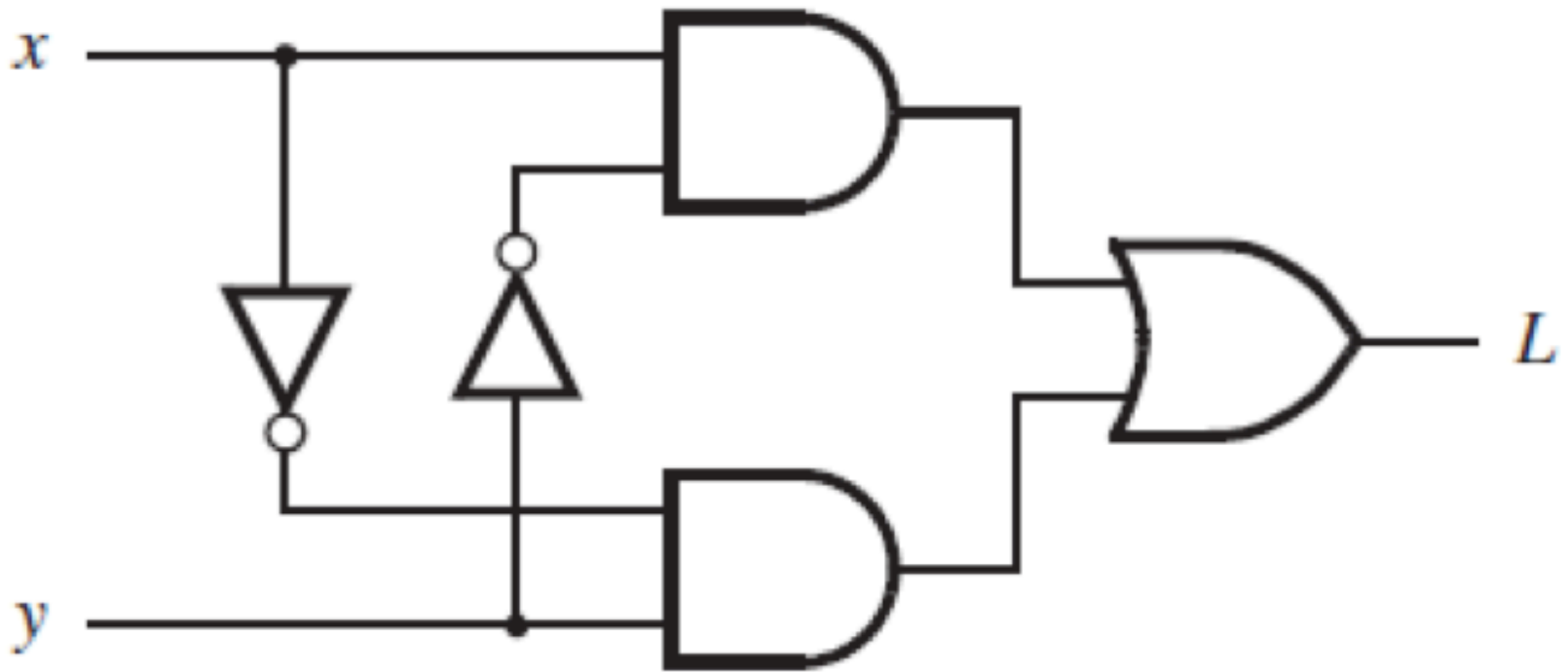
(c) Logic network



(d) XOR gate symbol

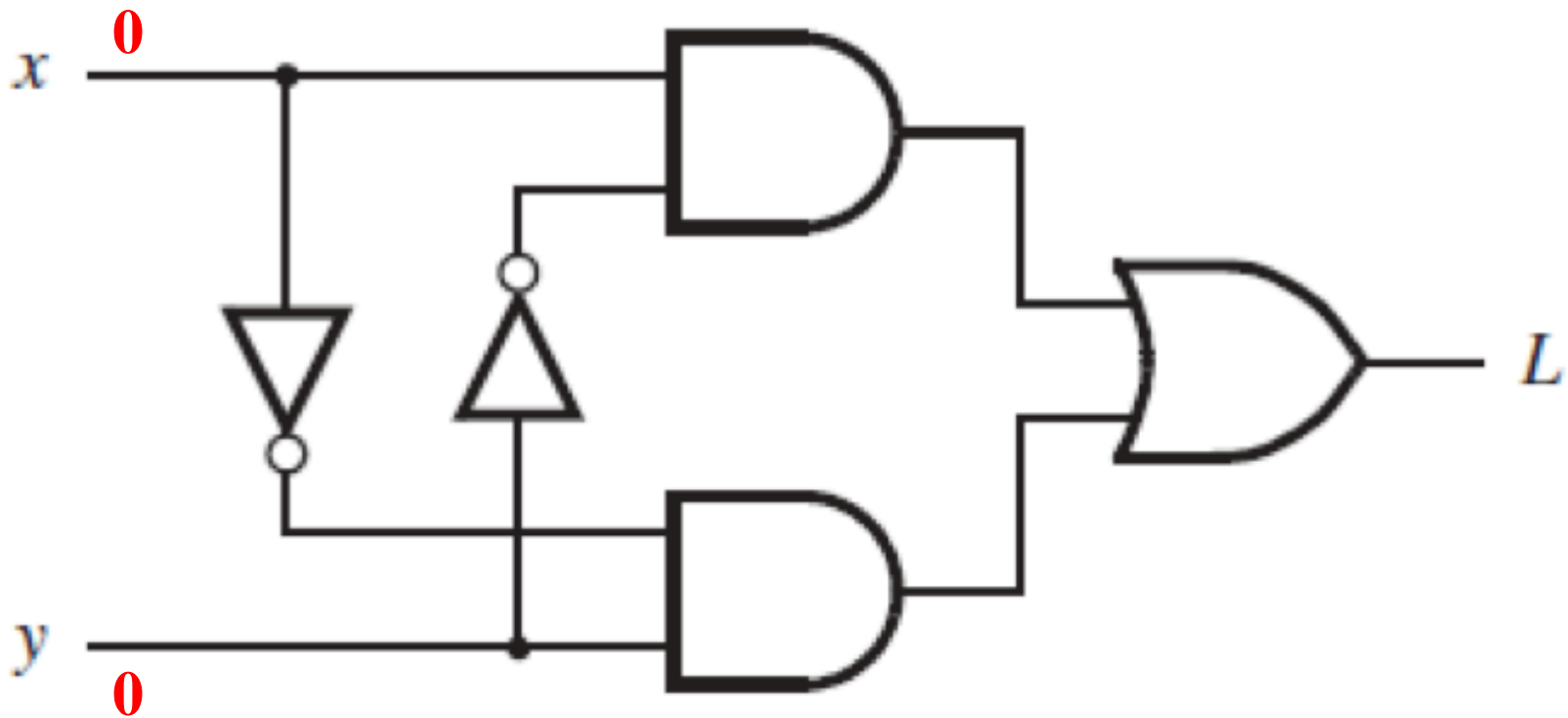


# XOR Analysis

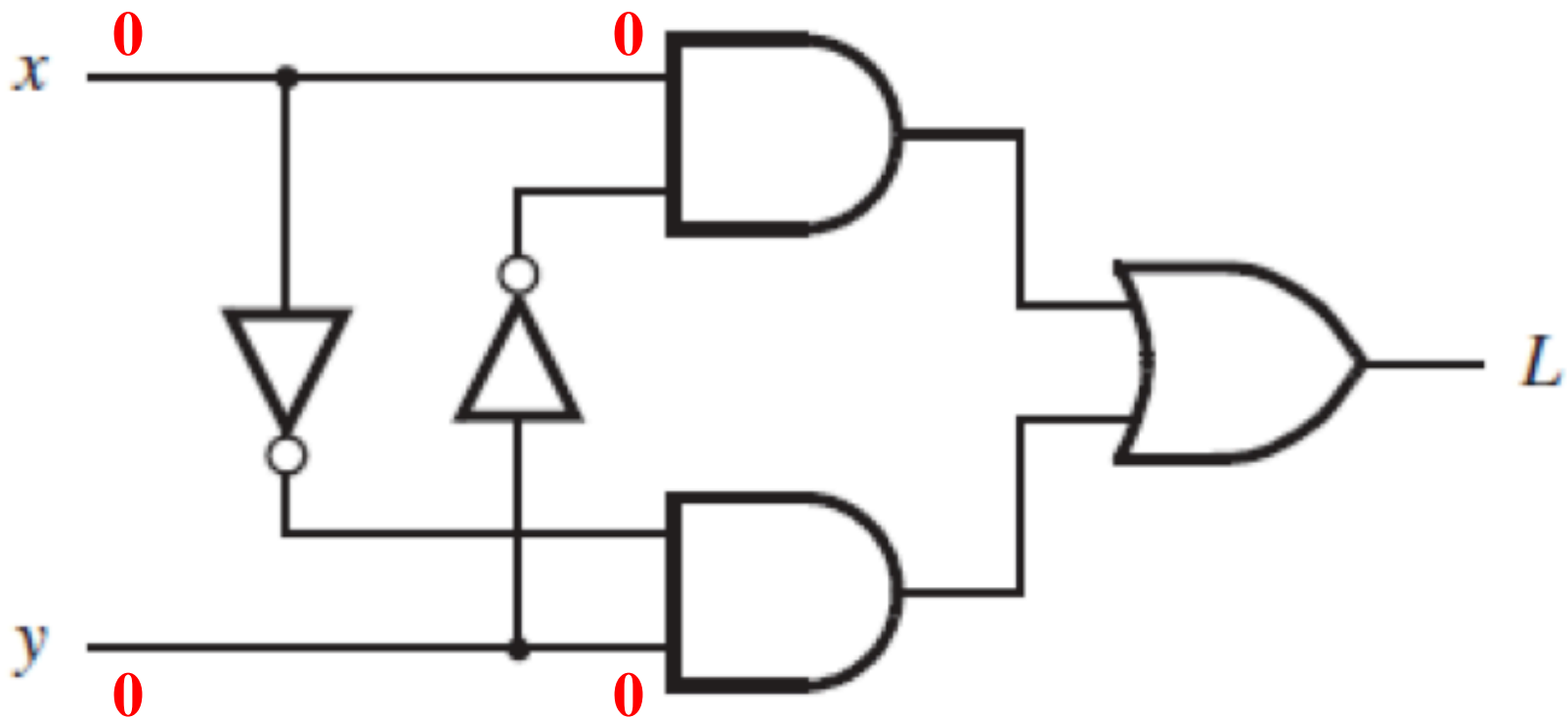


[ Figure 2.11c from the textbook ]

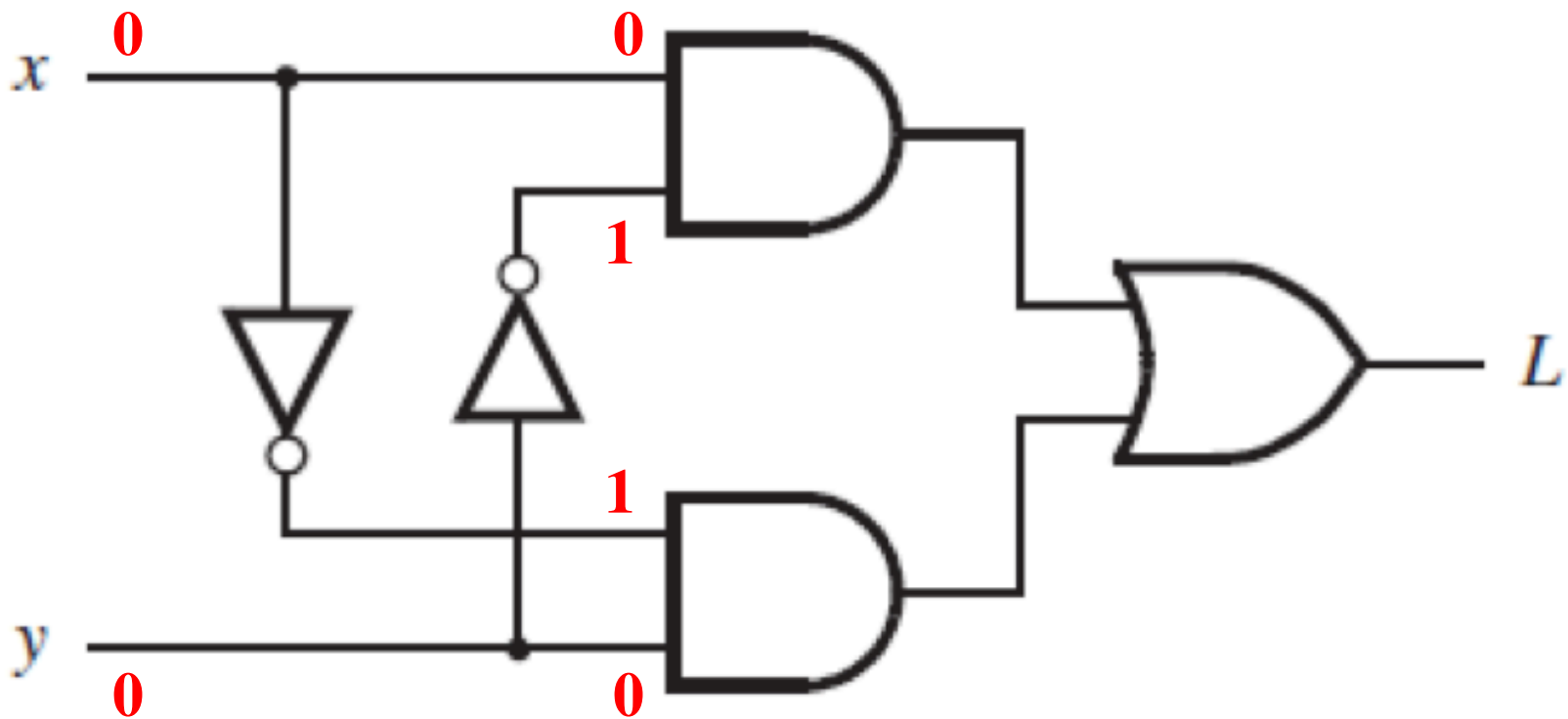
# XOR Analysis (x=0, y=0)



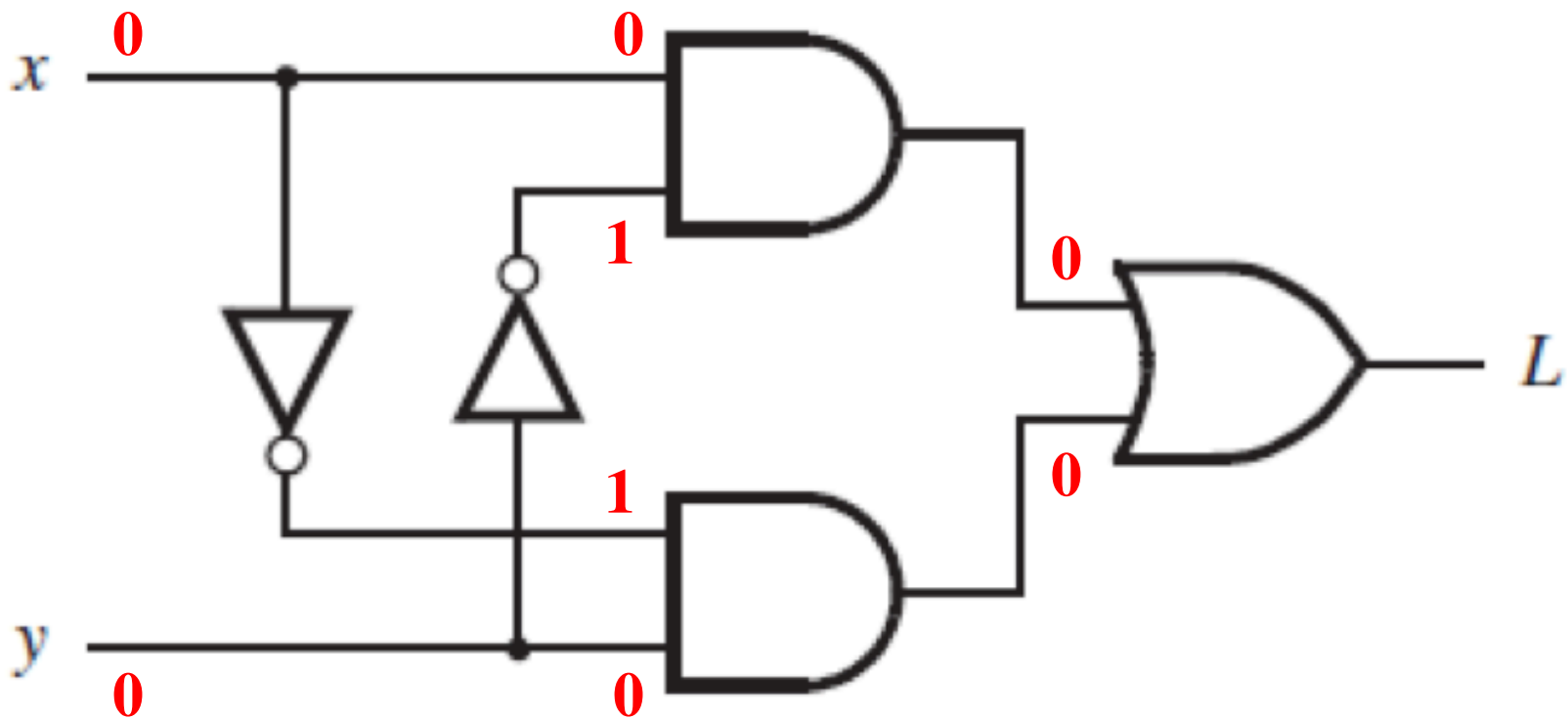
# XOR Analysis (x=0, y=0)



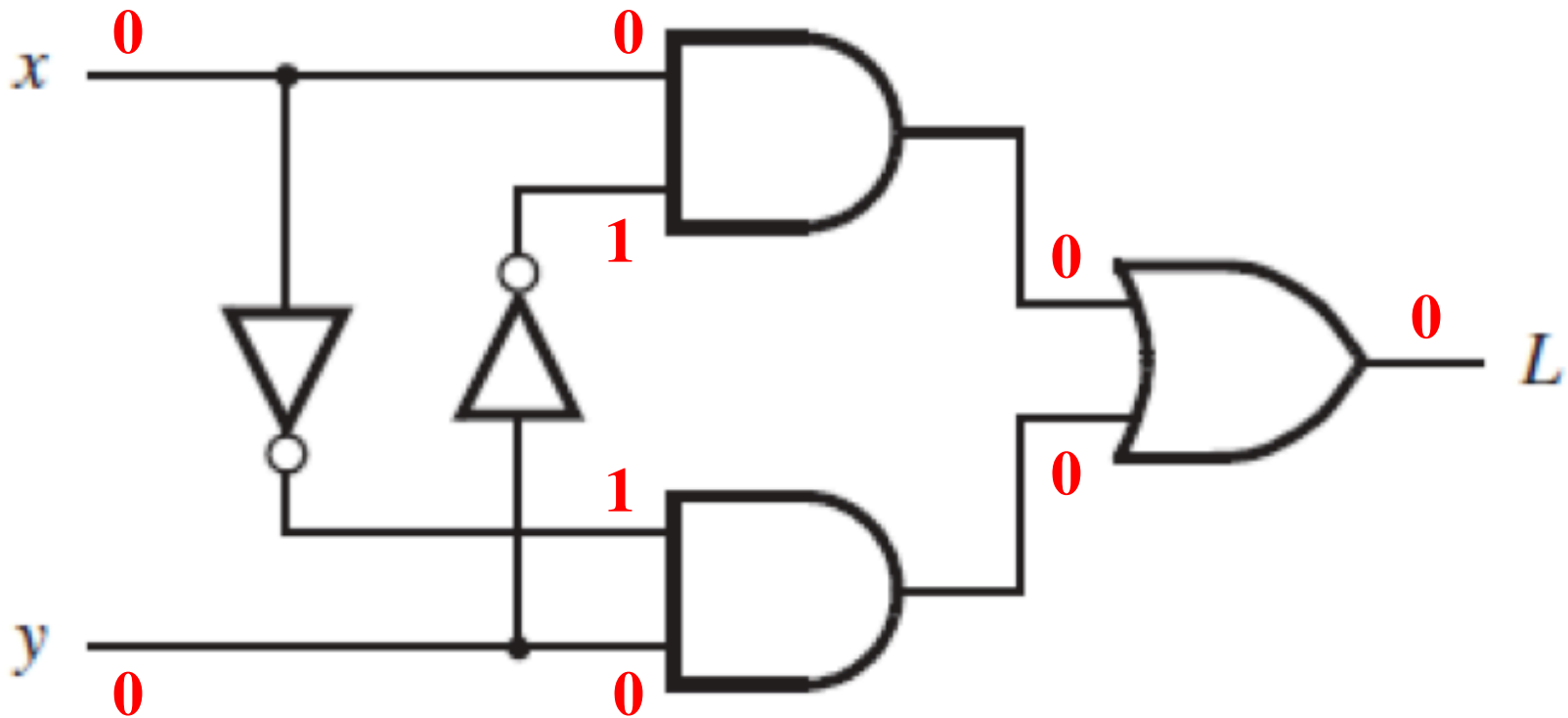
# XOR Analysis (x=0, y=0)



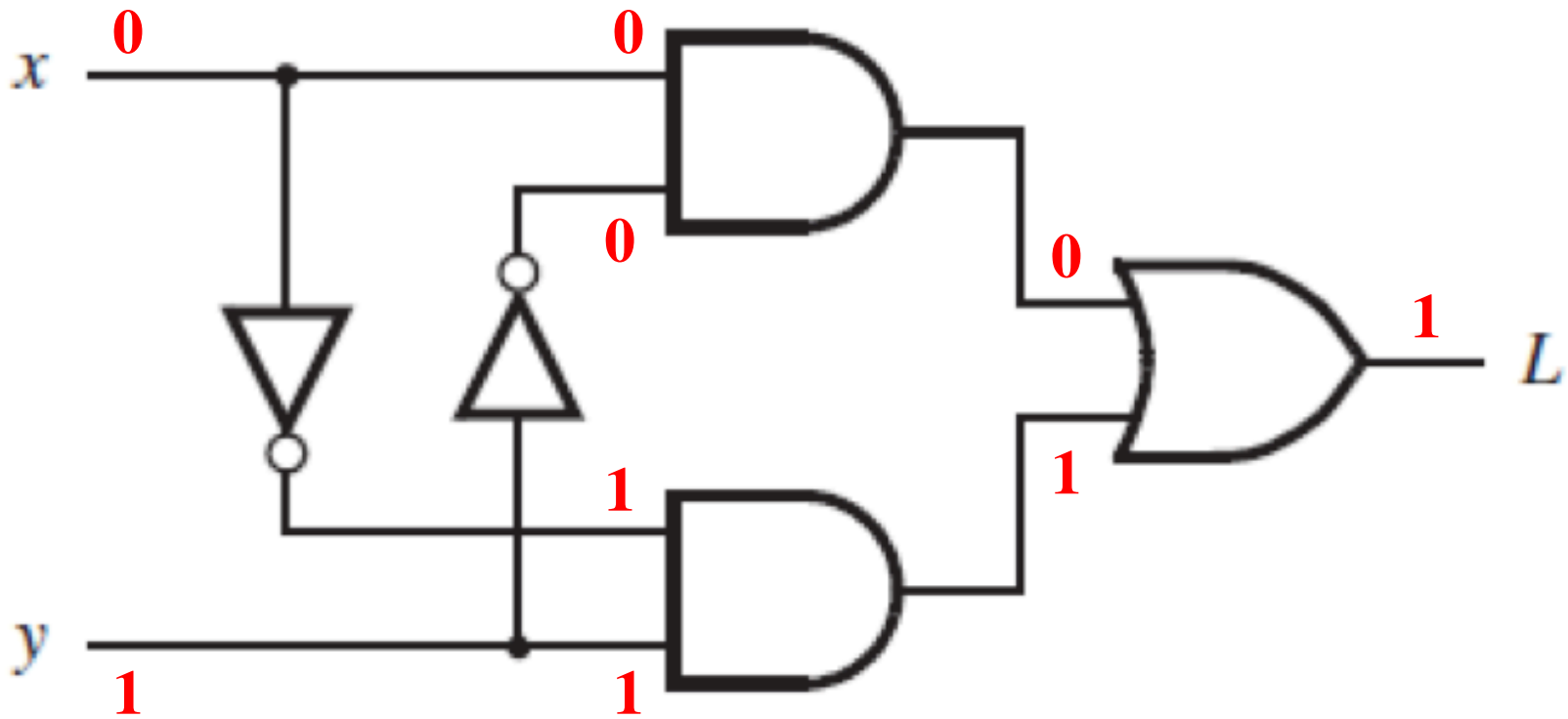
# XOR Analysis (x=0, y=0)



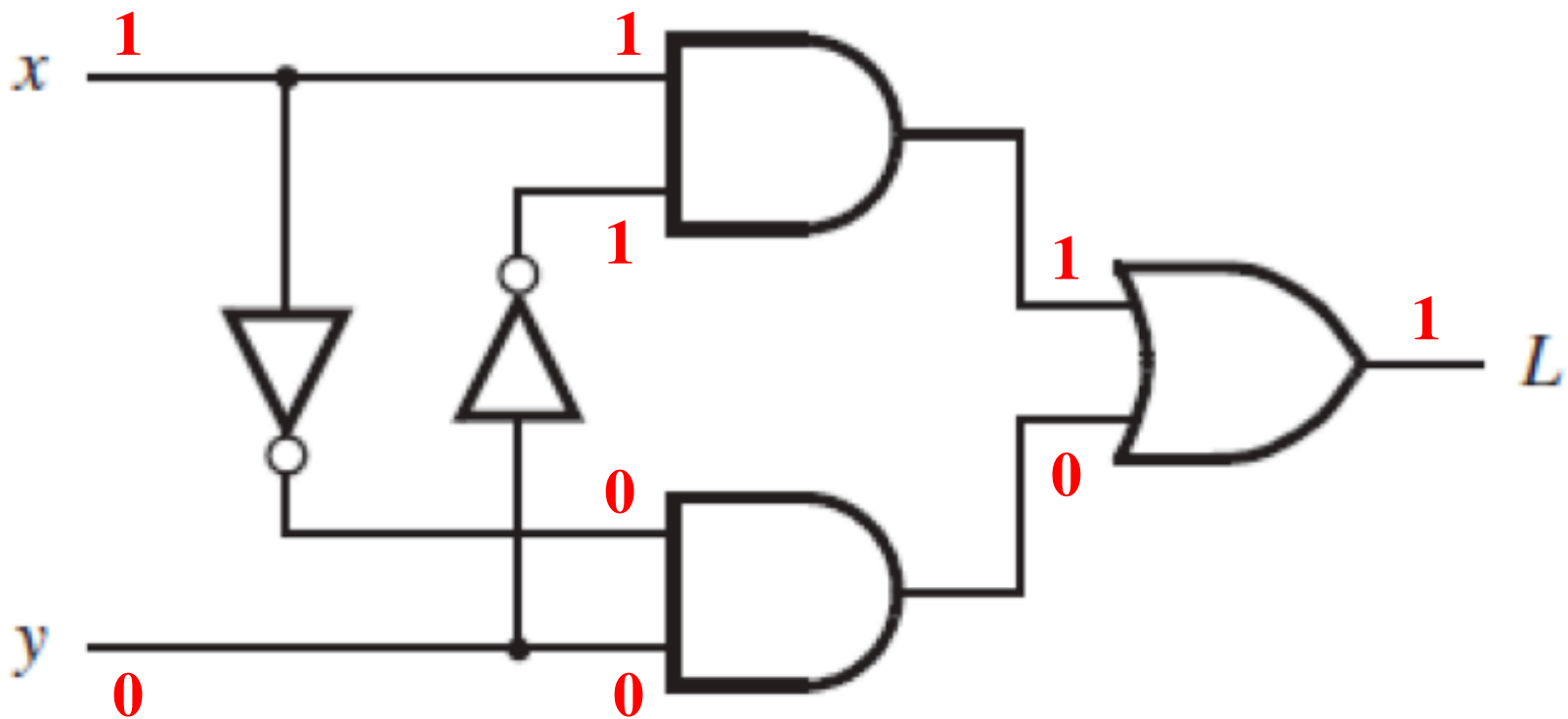
# XOR Analysis (x=0, y=0)



# XOR Analysis (x=0, y=1)

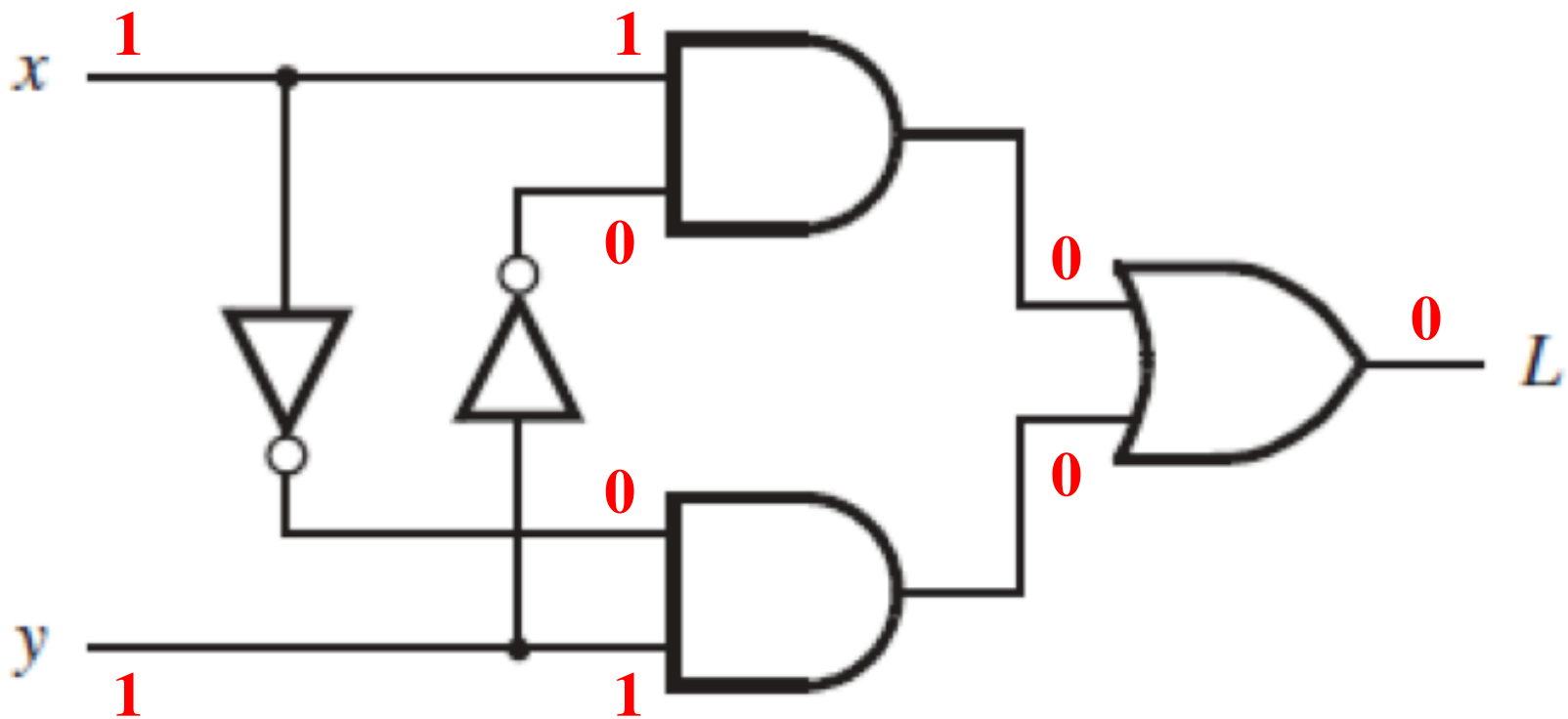


# XOR Analysis (x=1, y=0)





# XOR Analysis (x=1, y=1)



# Addition of Binary Numbers

$a$	0	0	1	1
$+ b$	$+ 0$	$+ 1$	$+ 0$	$+ 1$
<hr/>	<hr/>	<hr/>	<hr/>	<hr/>
$s_1 s_0$	0 0	0 1	0 1	1 0

# Addition of Binary Numbers

$$\begin{array}{r} a \\ + b \\ \hline s_1 s_0 \end{array} \quad \begin{array}{r} 0 \\ + 0 \\ \hline 0 0 \end{array} \quad \begin{array}{r} 0 \\ + 1 \\ \hline 0 1 \end{array} \quad \begin{array}{r} 1 \\ + 0 \\ \hline 0 1 \end{array} \quad \begin{array}{r} 1 \\ + 1 \\ \hline 1 0 \end{array}$$

<i>a</i>	<i>b</i>	<i>s</i> <sub>1</sub>	<i>s</i> <sub>0</sub>
0	0	0	0
0	1	0	1
1	0	0	1
1	1	1	0

[ Figure 2.12 from the textbook ]

# Addition of Binary Numbers

$a$	0	0	1	1
$+b$	$+0$	$+1$	$+0$	$+1$
$\underline{\quad}$	$\underline{\quad}$	$\underline{\quad}$	$\underline{\quad}$	$\underline{\quad}$
$s_1 s_0$	0 0	0 1	0 1	1 0

$a$	$b$	$s_1$	$s_0$
0	0	0	0
0	1	0	1
1	0	0	1
1	1	1	0

# Addition of Binary Numbers

$a$	0	0	1	1
$+b$	$+0$	$+1$	$+0$	$+1$
$\hline$	$\hline$	$\hline$	$\hline$	$\hline$
$s_1 s_0$	0 0	0 1	0 1	1 0

$a$	$b$	$s_1$	$s_0$
0	0	0	0
0	1	0	1
1	0	0	1
1	1	1	0

# Addition of Binary Numbers

$$\begin{array}{r} a \\ + b \\ \hline s_1 s_0 \end{array} \quad \begin{array}{r} 0 \\ + 0 \\ \hline 0 0 \end{array} \quad \begin{array}{r} 0 \\ + 1 \\ \hline 0 1 \end{array} \quad \begin{array}{r} 1 \\ + 0 \\ \hline 0 1 \end{array} \quad \begin{array}{r} 1 \\ + 1 \\ \hline 1 0 \end{array}$$

$a$	$b$	$s_1$	$s_0$
0	0	0	0
0	1	0	1
1	0	0	1
1	1	1	0

# Addition of Binary Numbers

$a$	0	0	1	1
<u><math>+b</math></u>	<u>+0</u>	<u>+1</u>	<u>+0</u>	<u>+1</u>
$s_1 s_0$	0 0	0 1	0 1	1 0

$a$	$b$	$s_1$	$s_0$
0	0	0	0
0	1	0	1
1	0	0	1
1	1	1	0

# Addition of Binary Numbers

$a$	0	0	1	1
<u><math>+b</math></u>	<u>+0</u>	<u>+1</u>	<u>+0</u>	<u>+1</u>
$s_1 s_0$	0 0	0 1	0 1	1 0

$a$	$b$	$s_1$	$s_0$
0	0	0	0
0	1	0	1
1	0	0	1
1	1	1	0



# Addition of Binary Numbers

$$\begin{array}{r} a \\ + b \\ \hline s_1 s_0 \end{array} \quad \begin{array}{r} 0 \\ + 0 \\ \hline 0 0 \end{array} \quad \begin{array}{r} 0 \\ + 1 \\ \hline 0 1 \end{array} \quad \begin{array}{r} 1 \\ + 0 \\ \hline 0 1 \end{array} \quad \begin{array}{r} 1 \\ + 1 \\ \hline 1 0 \end{array}$$

$a$	$b$	$s_1$	$s_0$
0	0	0	0
0	1	0	1
1	0	0	1
1	1	1	0

# Addition of Binary Numbers

$$\begin{array}{r} a \\ + b \\ \hline s_1 s_0 \end{array}$$

$0$	$0$	$1$	$1$
$+0$	$+1$	$+0$	$+1$
$0$	$0$	$0$	$1$
$0$	$1$	$0$	$1$
$1$	$0$	$1$	$0$

$a$	$b$	$s_1$	$s_0$
0	0	0	0
0	1	0	1
1	0	0	1
1	1	1	0

# Addition of Binary Numbers

$$\begin{array}{r} a \\ + b \\ \hline s_1 s_0 \end{array}$$

	0	0	1	1
	+0	+1	+0	+1
	<u>        </u>	<u>        </u>	<u>        </u>	<u>        </u>
	0 0	0 1	0 1	1 0

<i>a</i>	<i>b</i>	<i>s</i> <sub>1</sub>	<i>s</i> <sub>0</sub>
0	0	0	0
0	1	0	1
1	0	0	1
1	1	1	0

# Addition of Binary Numbers

$$\begin{array}{r} a \\ + b \\ \hline s_1 s_0 \end{array} \quad \begin{array}{r} 0 \\ + 0 \\ \hline 0 0 \end{array} \quad \begin{array}{r} 0 \\ + 1 \\ \hline 0 1 \end{array} \quad \begin{array}{r} 1 \\ + 0 \\ \hline 0 1 \end{array} \quad \begin{array}{r} 1 \\ + 1 \\ \hline 1 0 \end{array}$$

$a$	$b$	$s_1$	$s_0$
0	0	0	0
0	1	0	1
1	0	0	1
1	1	1	0

# Addition of Binary Numbers

$$\begin{array}{r} a \\ + b \\ \hline s_1 \boxed{s_0} \end{array} \quad \begin{array}{r} 0 \\ + 0 \\ \hline 0 \boxed{0} \end{array} \quad \begin{array}{r} 0 \\ + 1 \\ \hline 0 \boxed{1} \end{array} \quad \begin{array}{r} 1 \\ + 0 \\ \hline 0 \boxed{1} \end{array} \quad \begin{array}{r} 1 \\ + 1 \\ \hline 1 \boxed{0} \end{array}$$

$a$	$b$	$s_1$	$s_0$
0	0	0	0
0	1	0	1
1	0	0	1
1	1	1	0

# Addition of Binary Numbers

$$\begin{array}{r} a \\ + b \\ \hline s_1 s_0 \end{array} \quad \begin{array}{r} 0 \\ + 0 \\ \hline 0 0 \end{array} \quad \begin{array}{r} 0 \\ + 1 \\ \hline 0 1 \end{array} \quad \begin{array}{r} 1 \\ + 0 \\ \hline 0 1 \end{array} \quad \begin{array}{r} 1 \\ + 1 \\ \hline 1 0 \end{array}$$

$a$	$b$	$s_1$	$s_0$
0	0	0	0
0	1	0	1
1	0	0	1
1	1	1	0

# Addition of Binary Numbers

$$\begin{array}{r} a \\ + b \\ \hline s_1 s_0 \end{array} \quad \begin{array}{r} 0 \\ + 0 \\ \hline 0 0 \end{array} \quad \begin{array}{r} 0 \\ + 1 \\ \hline 0 1 \end{array} \quad \begin{array}{r} 1 \\ + 0 \\ \hline 0 1 \end{array} \quad \begin{array}{r} 1 \\ + 1 \\ \hline 1 0 \end{array}$$

$a$	$b$	$s_1$	$s_0$
0	0	0	0
0	1	0	1
1	0	0	1
1	1	1	0

# Addition of Binary Numbers

$a$	$b$	$s_1$	$s_0$
0	0	0	0
0	1	0	1
1	0	0	1
1	1	1	0



# Addition of Binary Numbers

?

<i>a</i>	<i>b</i>		<i>s</i> <sub>1</sub>	<i>s</i> <sub>0</sub>
0	0		0	0
0	1		0	1
1	0		0	1
1	1		1	0

# Addition of Binary Numbers

AND

<i>a</i>	<i>b</i>	<i>s</i> <sub>1</sub>	<i>s</i> <sub>0</sub>
0	0	0	0
0	1	0	1
1	0	0	1
1	1	1	0

# Addition of Binary Numbers

<i>a</i>	<i>b</i>	<i>s</i> <sub>1</sub>	<i>s</i> <sub>0</sub>
0	0	0	0
0	1	0	1
1	0	0	1
1	1	1	0

# Addition of Binary Numbers

?

<i>a</i>	<i>b</i>	<i>s</i> <sub>1</sub>	<i>s</i> <sub>0</sub>
0	0	0	0
0	1	0	1
1	0	0	1
1	1	1	0

# Addition of Binary Numbers

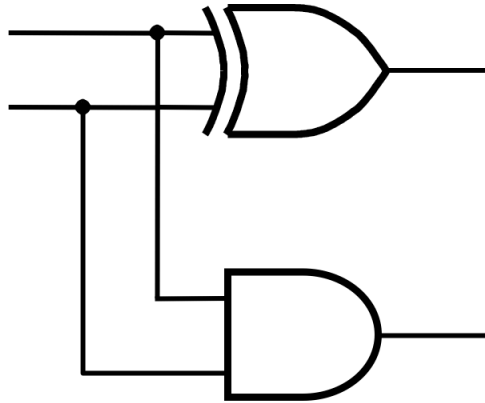
XOR

$a$	$b$	$s_1$	$s_0$
0	0	0	0
0	1	0	1
1	0	0	1
1	1	1	0

# Addition of Binary Numbers

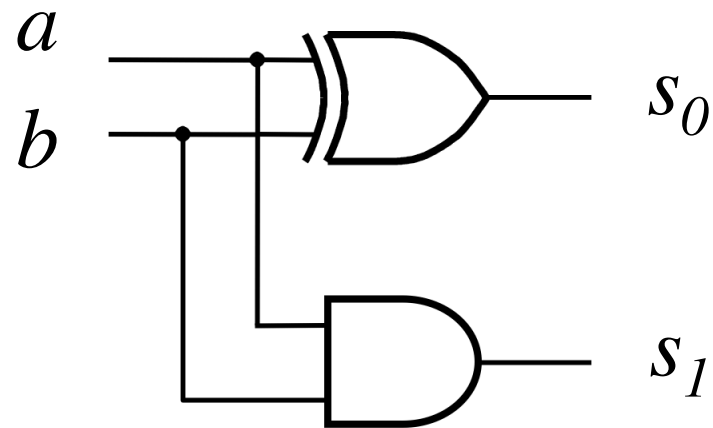
$a$	$b$	$s_1$	$s_0$
0	0	0	0
0	1	0	1
1	0	0	1
1	1	1	0

# Addition of Binary Numbers



$a$	$b$	$s_1$	$s_0$
0	0	0	0
0	1	0	1
1	0	0	1
1	1	1	0

# Addition of Binary Numbers



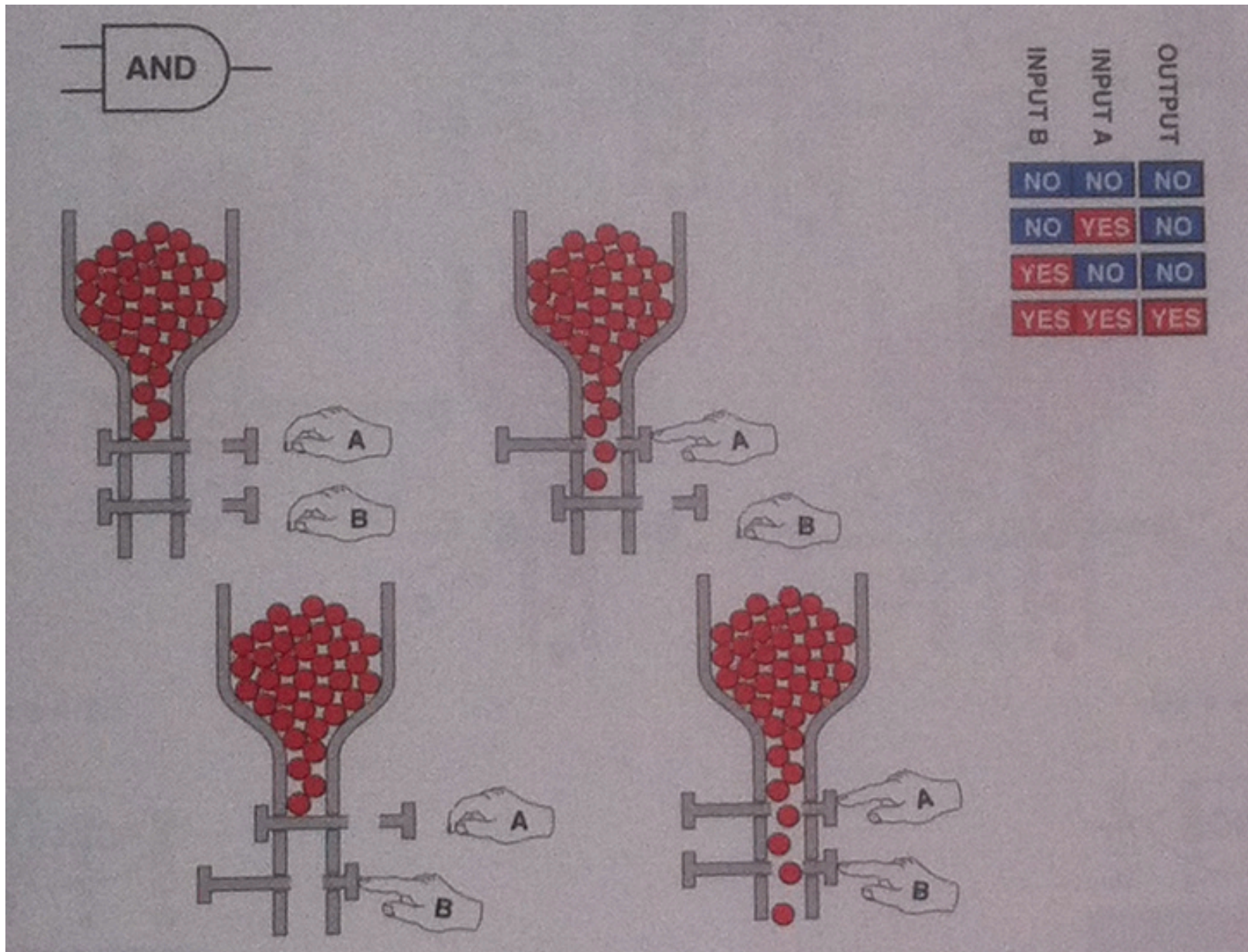
$a$	$b$	$s_1$	$s_0$
0	0	0	0
0	1	0	1
1	0	0	1
1	1	1	0



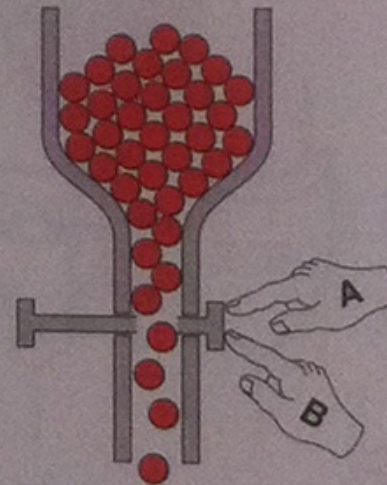
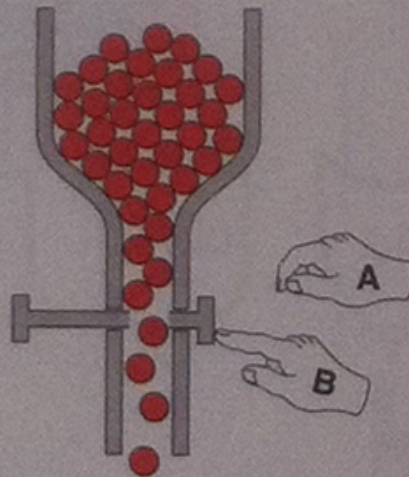
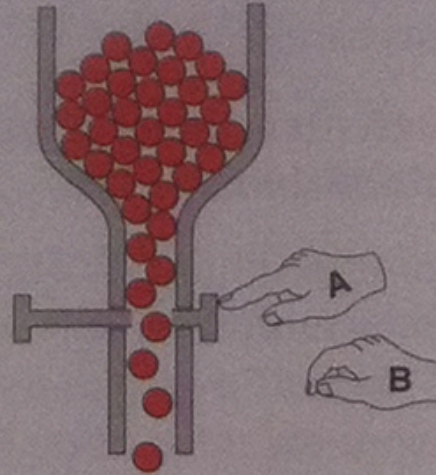
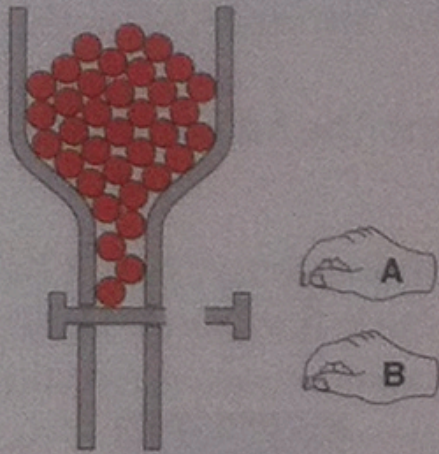
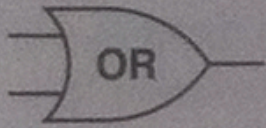


The following examples came from this book



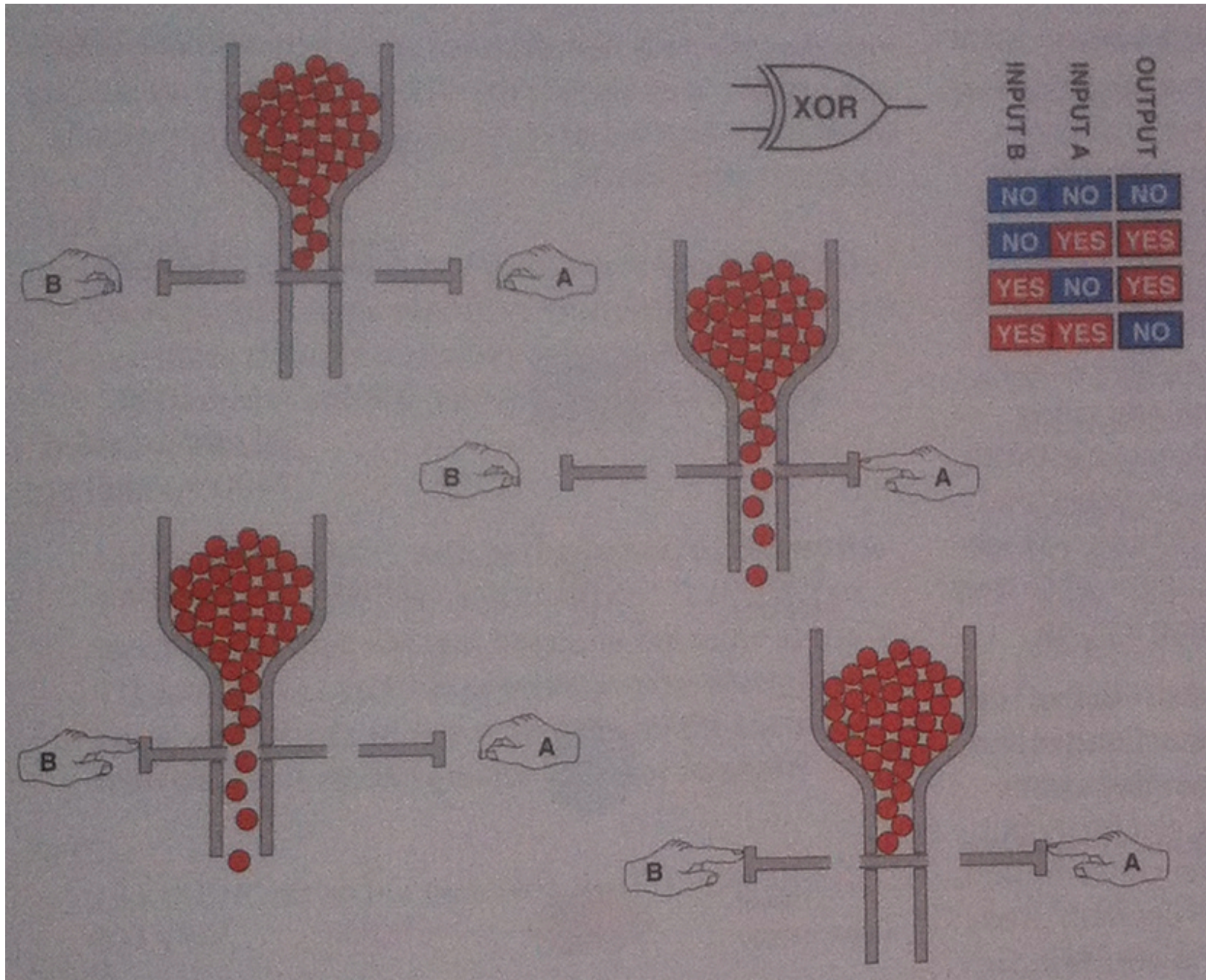






INPUT B	INPUT A	OUTPUT
NO	NO	NO
NO	YES	YES
YES	NO	YES
YES	YES	YES





**Questions?**

**THE END**