

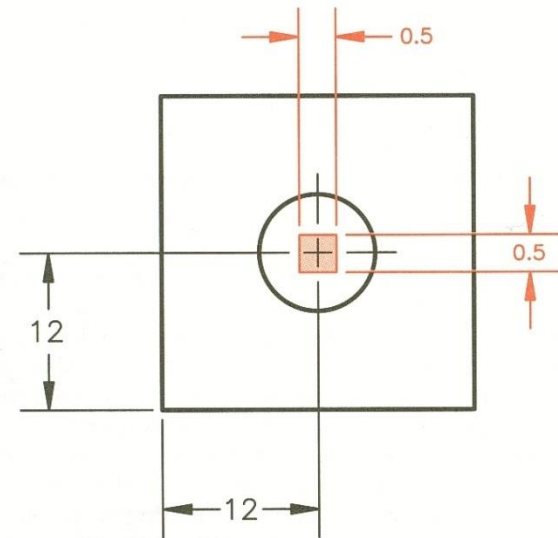
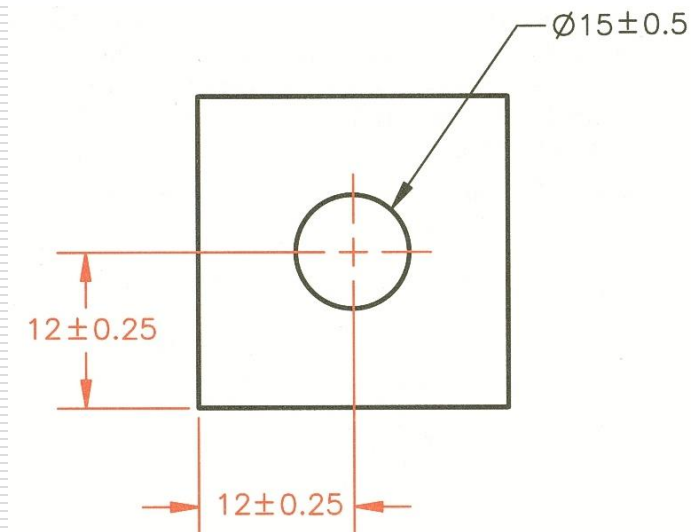
# GD&T – Positon

---

## References:

- Fundamentals of Graphics Communication, By Bertoline / Wiebe
- Engineering Drawing and Design by D. Madsen, etal.
- Geometric Dimensioning and Tolerancing, by D. Madsen.

# Position Tolerances (+/-)



Example 7-4. Conventional location tolerance zone.

# Position Tolerance (Geometric)

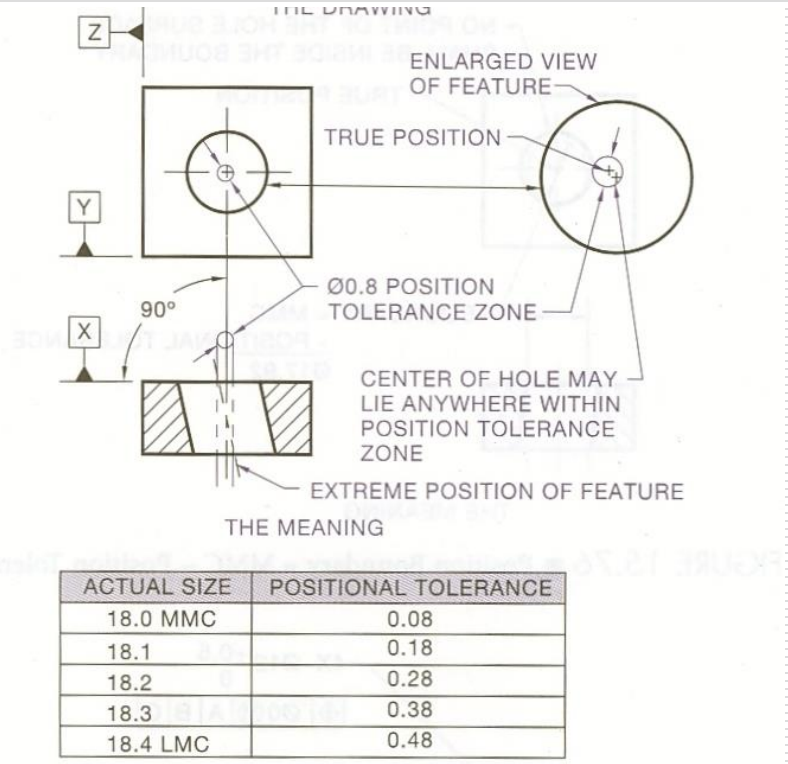
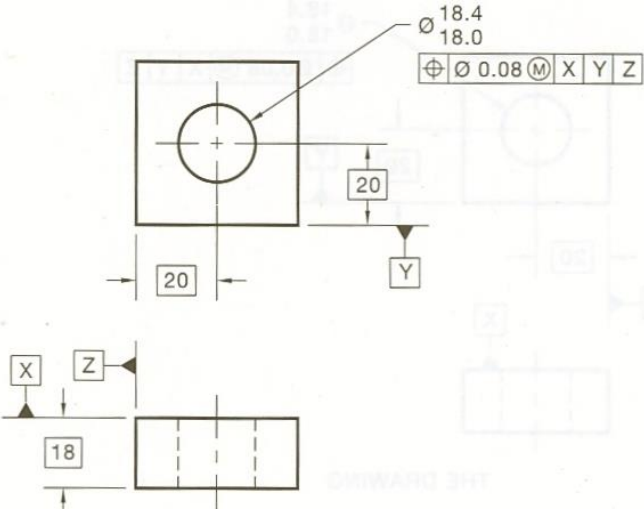
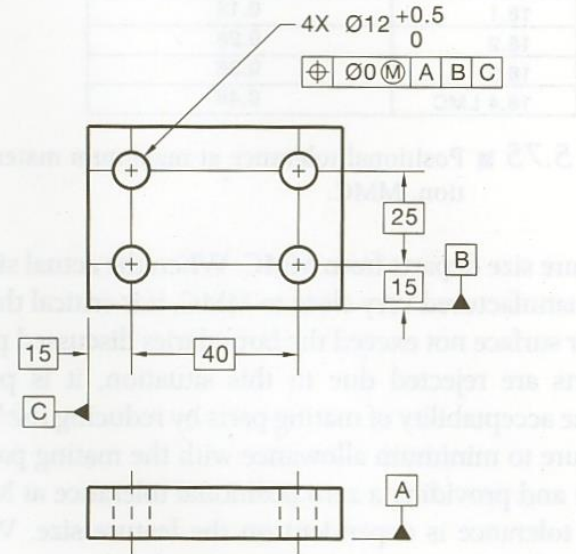


FIGURE 15.75 ■ Positional tolerance at maximum material condition, MMC.

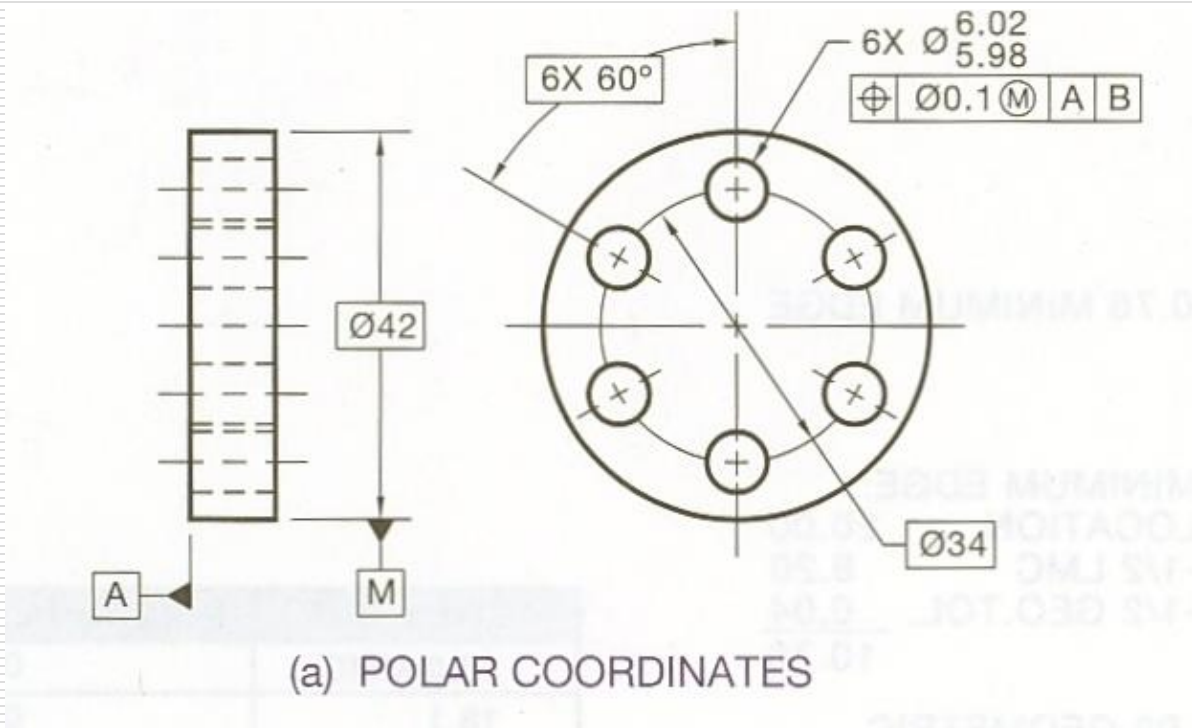
# Position- Example



ACTUAL SIZE	POSITIONAL TOLERANCE
12.0 MMC ZERO ALLOWANCE 12mm FASTENER AT MMC	0
12.1	0.1
12.2	0.2
12.3	0.3
12.4	0.4
12.5	0.5

FIGURE 15.77 ■ Zero positional tolerances at MMC.

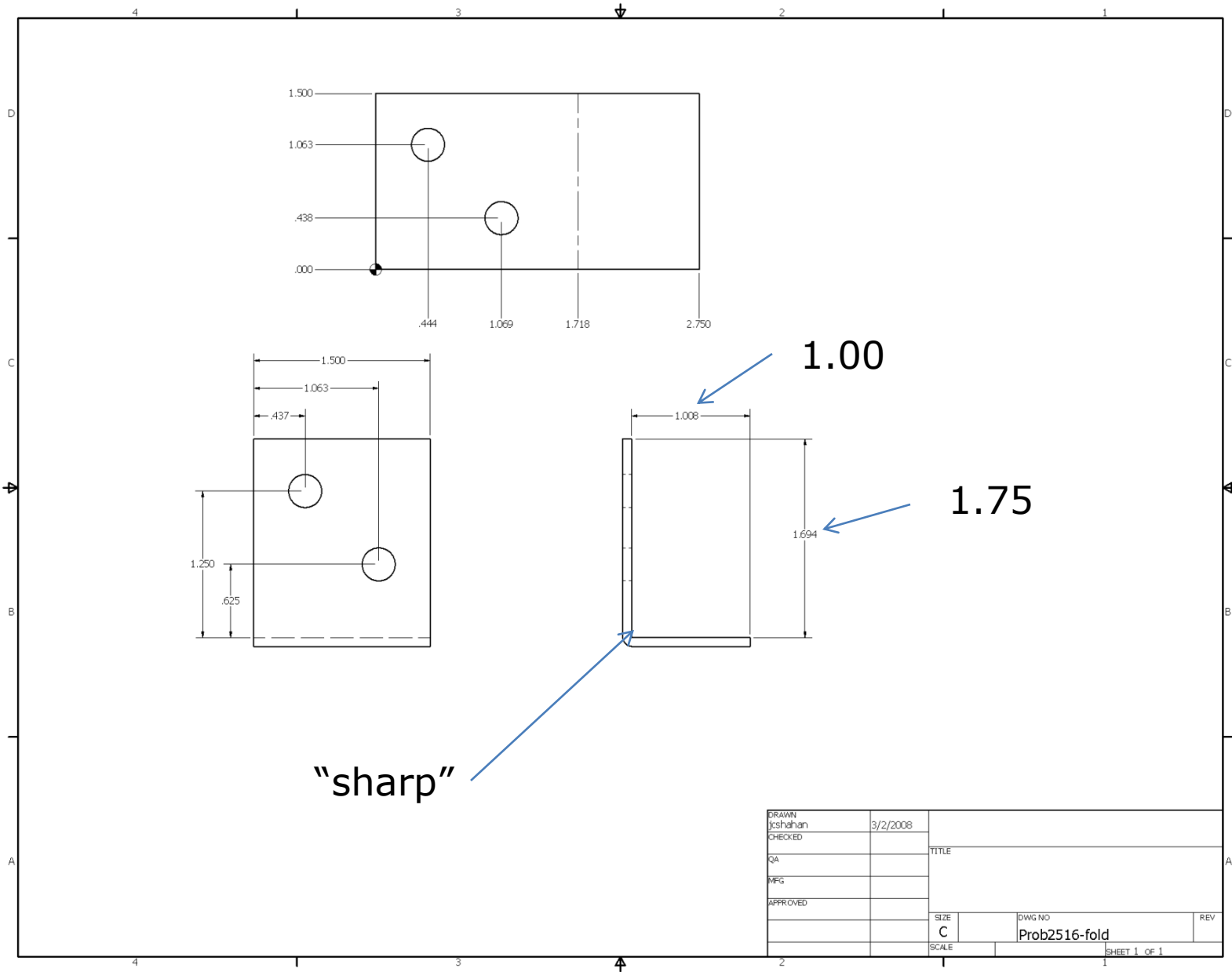
# Positional – Example



# Assignment – Prob 25.16

---

- Create the model / drawing
  - Model: appropriate nominal sizes
- Add the following
  - Isometric, Center marks / lines
  - Limit Dims
  - GD/T
    - Include true position
      - Primary Datum: A
      - Secondary Datum: B
      - Tertiary Datum: C



DRAWN	jcshahan	3/2/2008		
CHECKED			TITLE	
QA				
MFG				
APPROVED				
SIZE	C	DWG NO	Prob2516-fold	REV
SCALE		SHEET 1 OF 1		