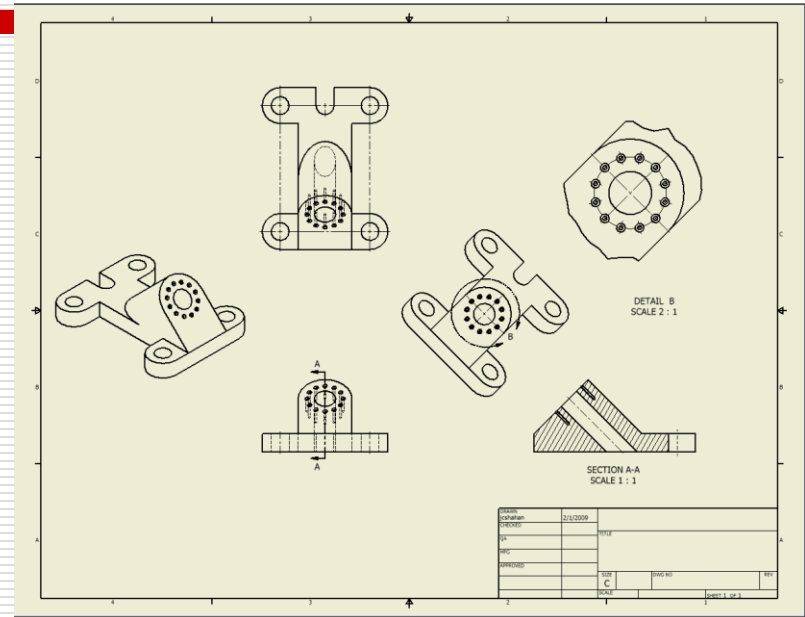
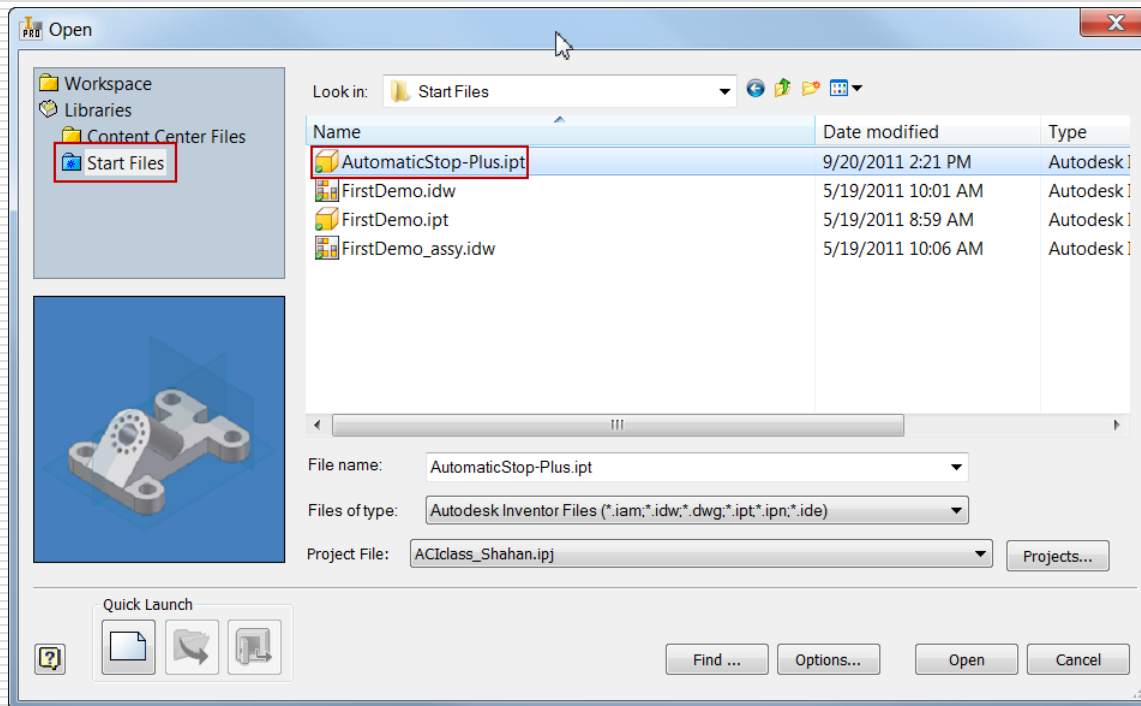


Drawing Views with Autodesk Inventor

- Base View
- Projected View
- Auxilliary View
- Section View
- Detail Views
- Centerlines / Center Marks




Open the Part File: From the Library

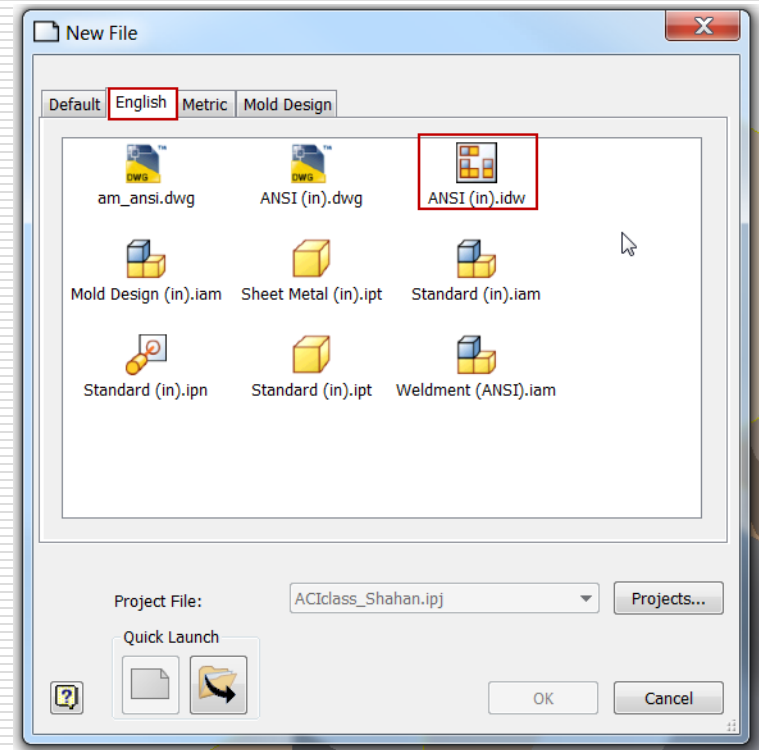


New Drawing



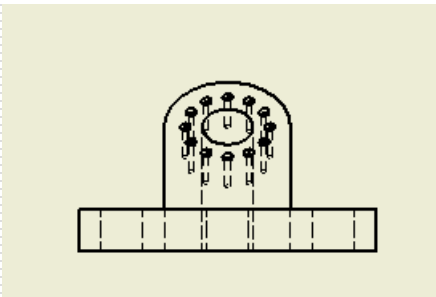
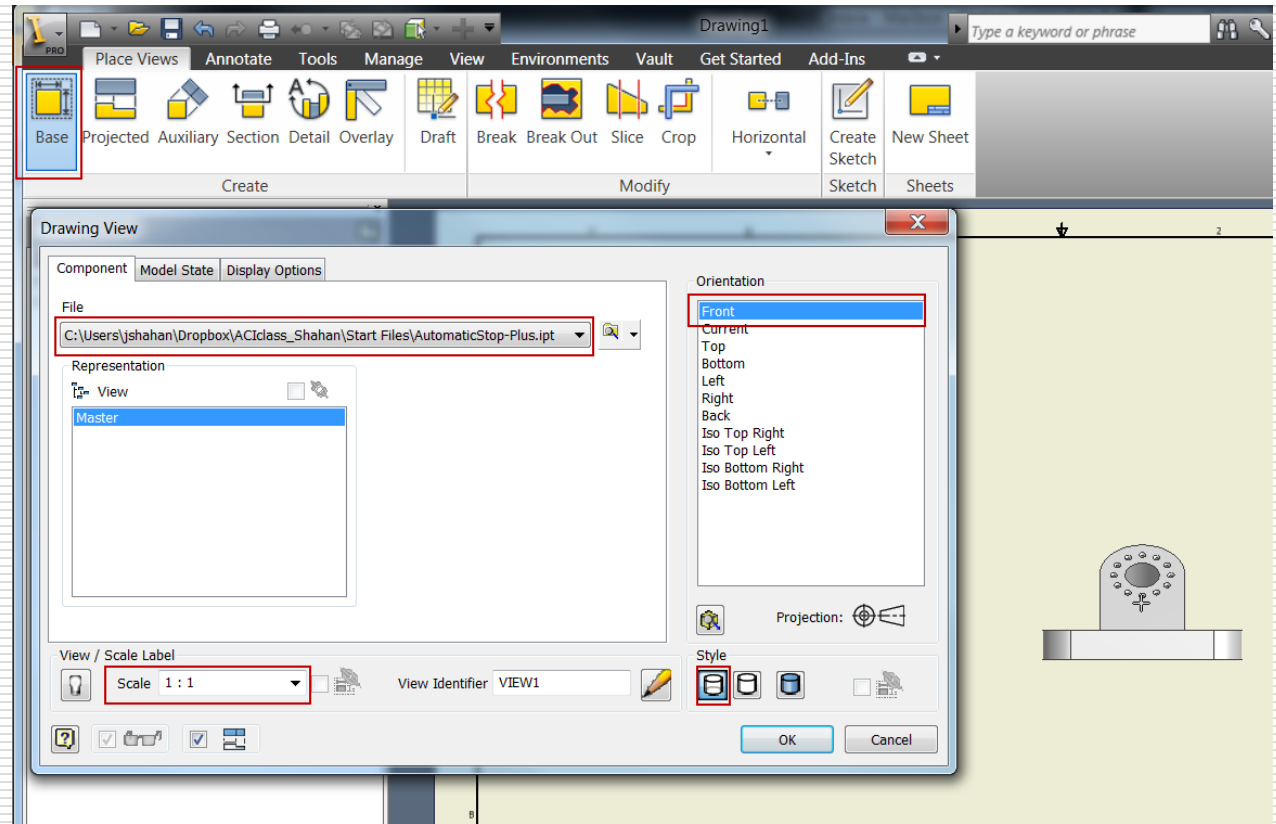
English: English

ANSI (in) .idw:  ANSI (in).idw



Base View

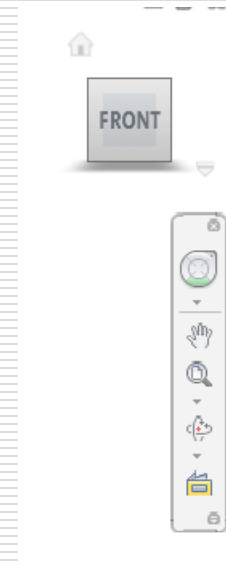
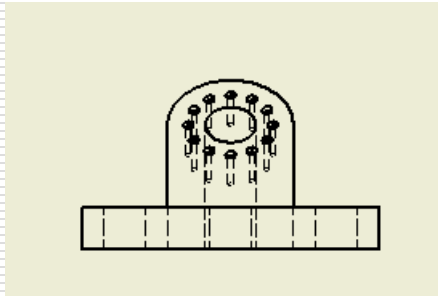
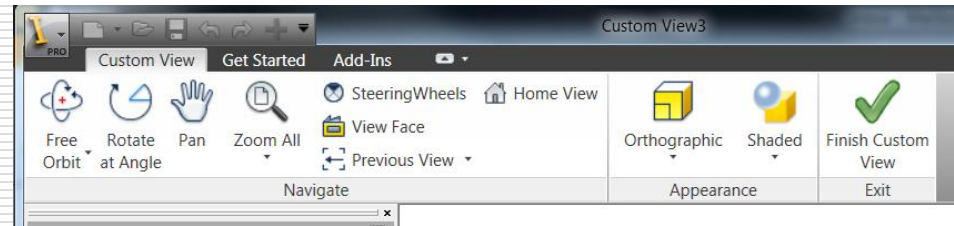
- File
- Orientation
- Style
- Scale



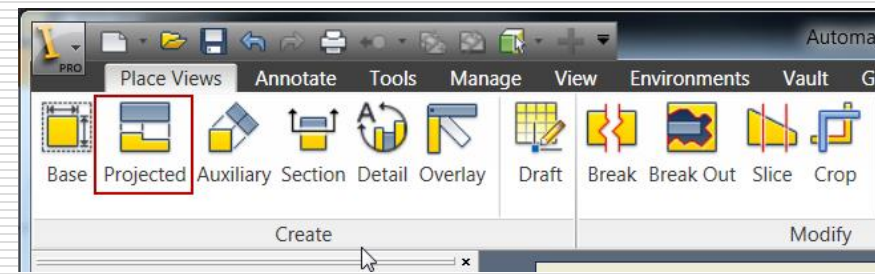
Base View

– Change View orientation

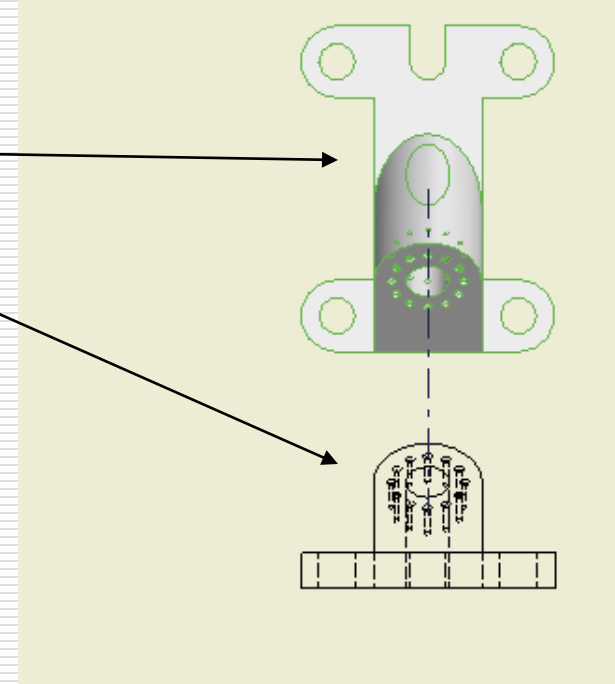
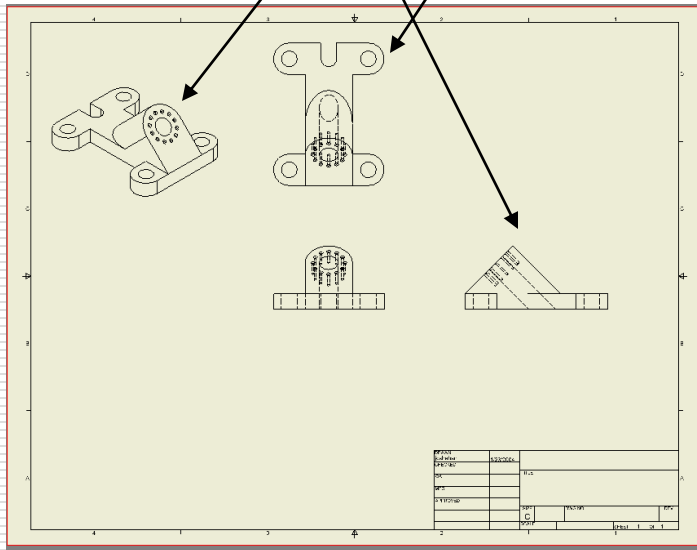
- Change the front view orientation (if needed)



Projected Views

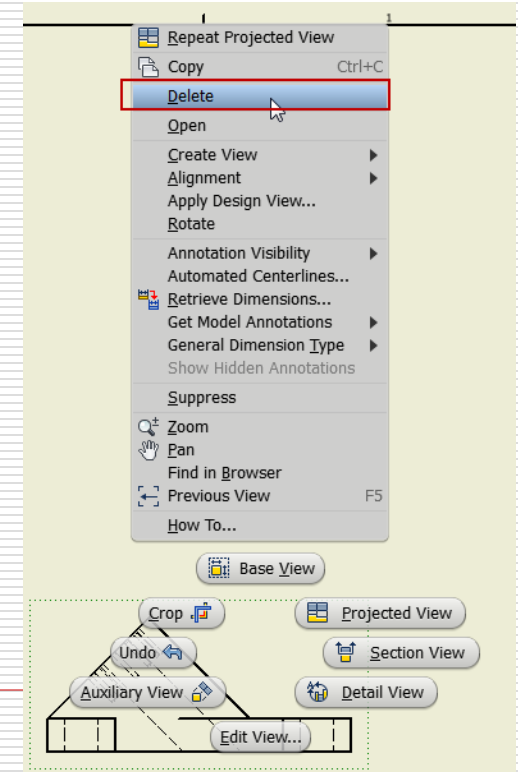
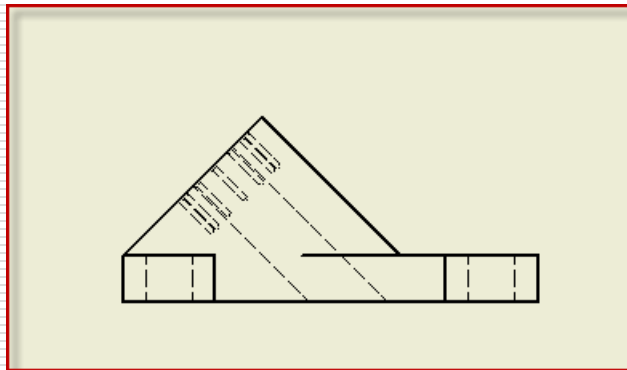


- Base View
- Projected View Location
- Views
 - Top
 - Right
 - Iso (L,R,T)

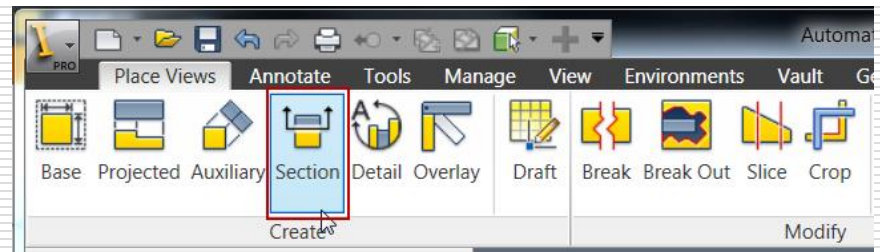


Right View - Section View

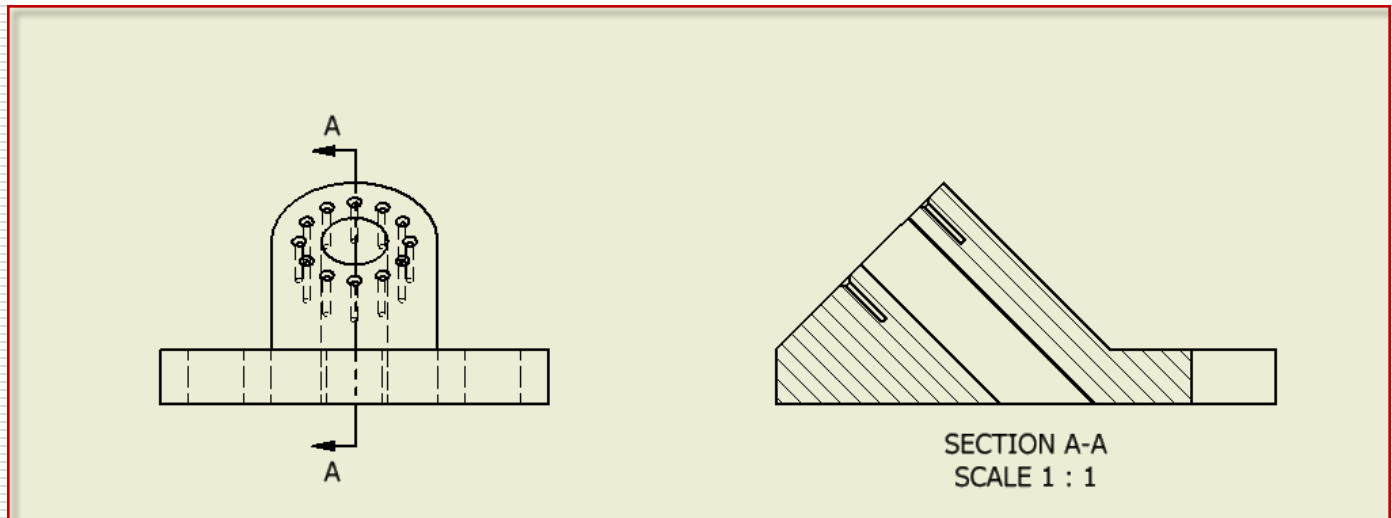
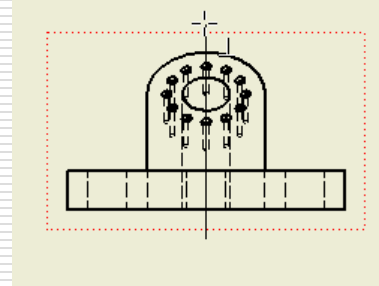
- Notice the right view
- Overlapping hidden
- This can be done better with a section view
- Delete the view
 - Select the right view, right mouse button



Section View



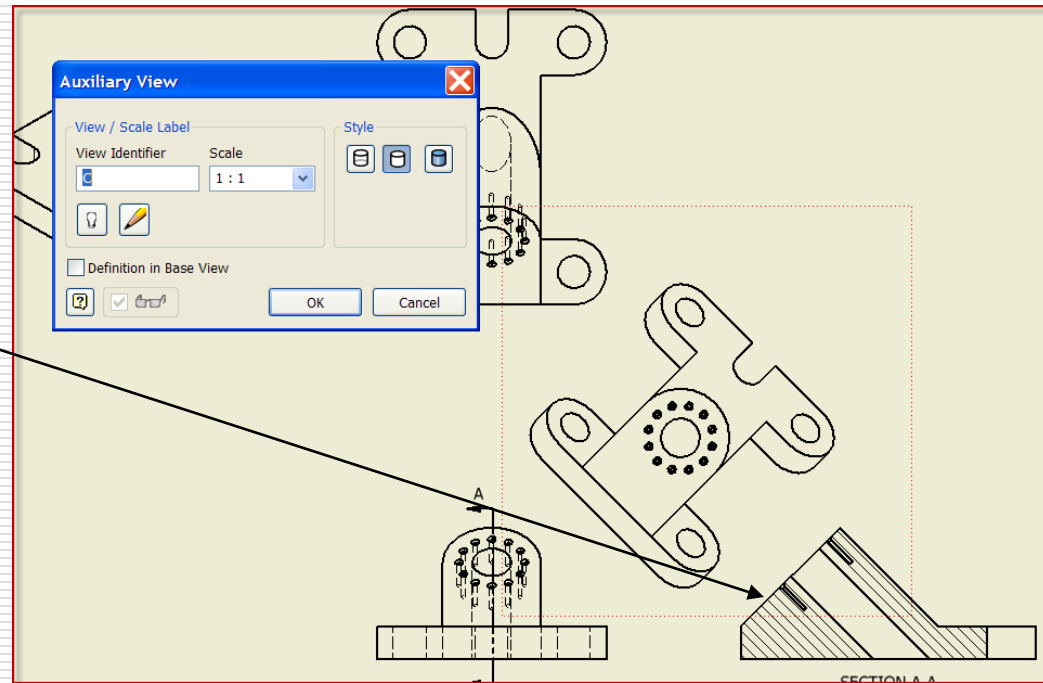
- Base View
- Sketch line (carefully locate points)
 - Through Center
 - Note Alignment
 - Watch Screen
- Place Section View



Auxiliary View



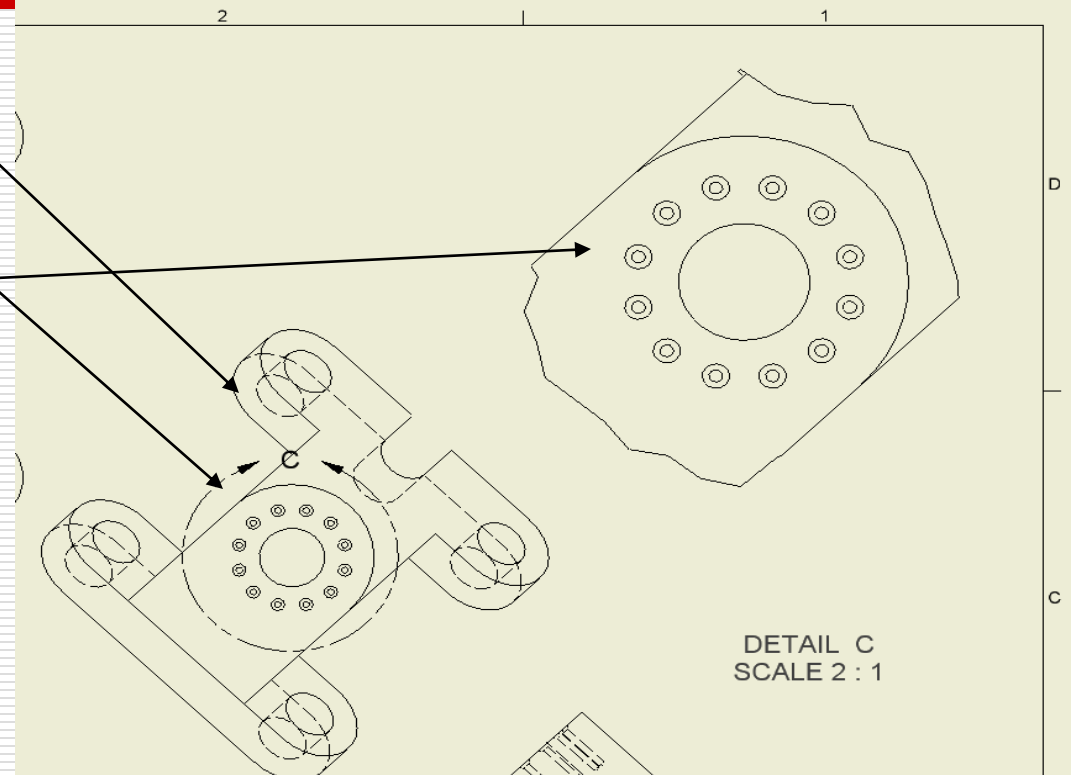
- Base View
- Edge
- Place View
- Other
- Scale
- Label
- Style



Detail View

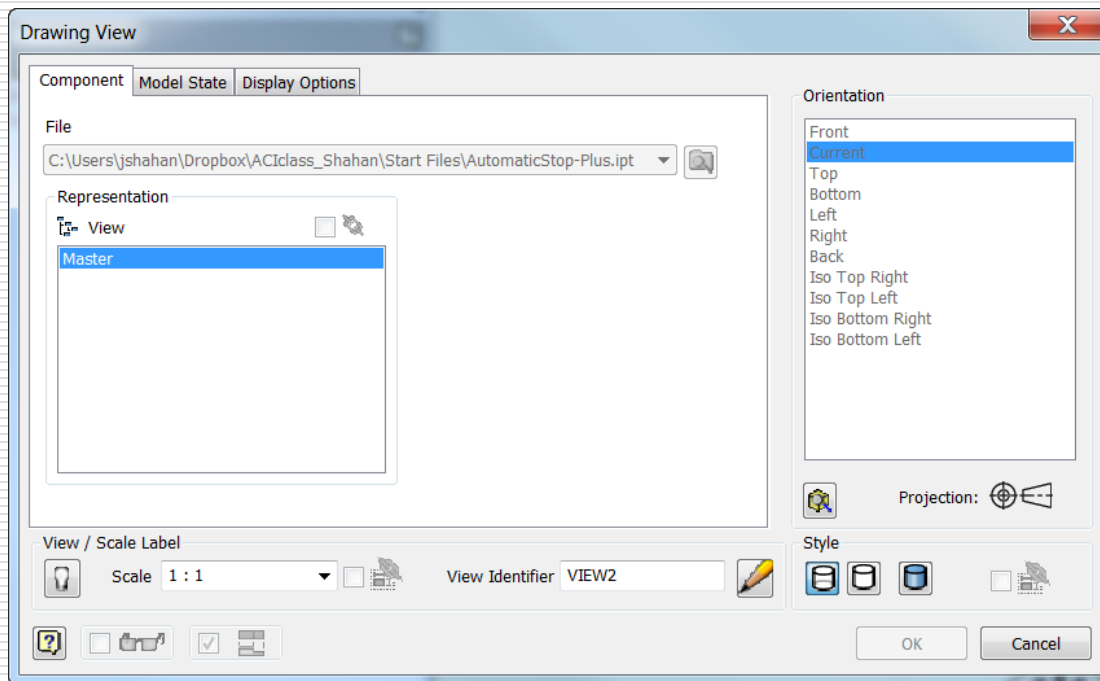
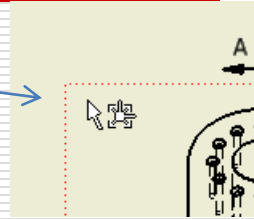


- Base View
- Circle around detail
- Place Detail View

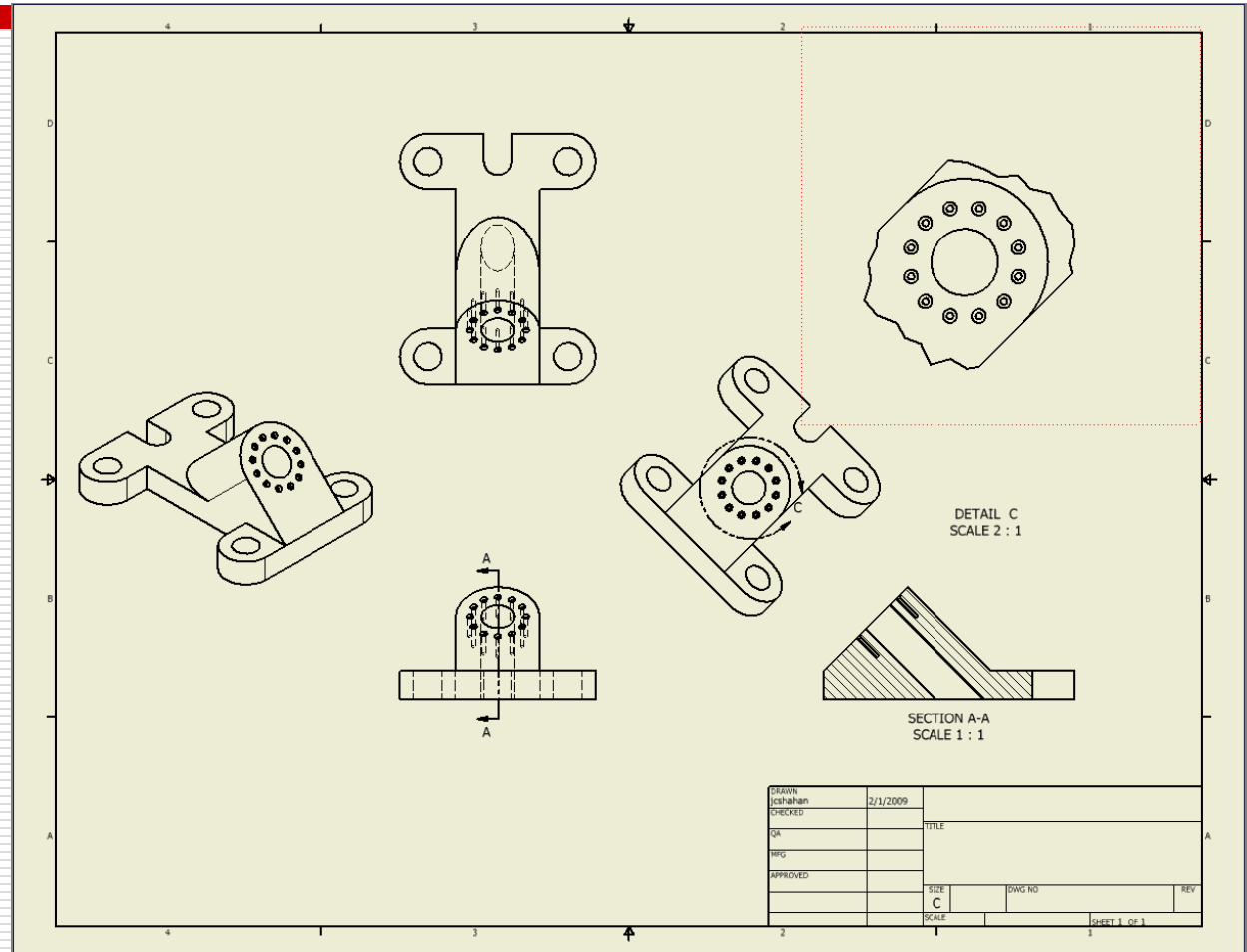


Modify the views

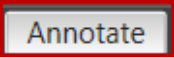

- Move Views
- Edit Views
 - <double click>

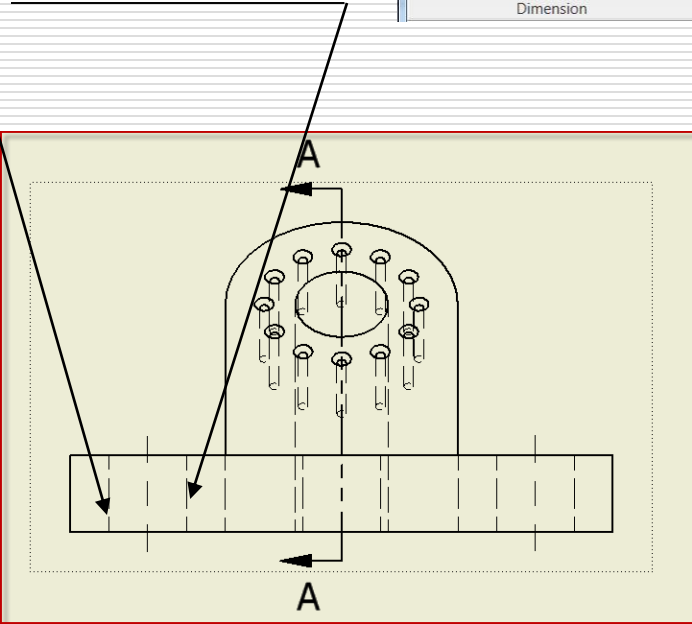


The Rough Layout



Finish Front View

- Centerlines
 - Annotate 
 - Centerline Bisector 
 - Edge 1
 - Edge 2



Finish the right view

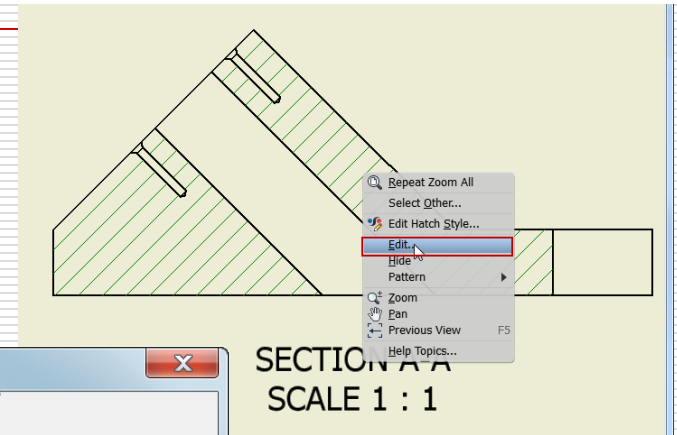
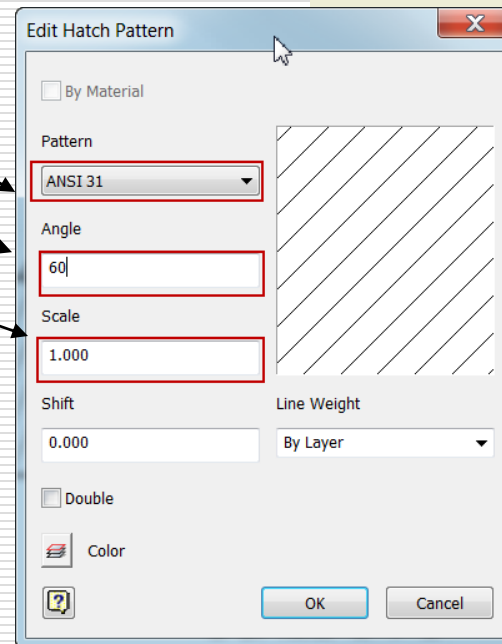
□ Section View

- <rmb>-select hatch
- Modify hatch (if needed)

□ Pattern

□ Angle

□ Scale

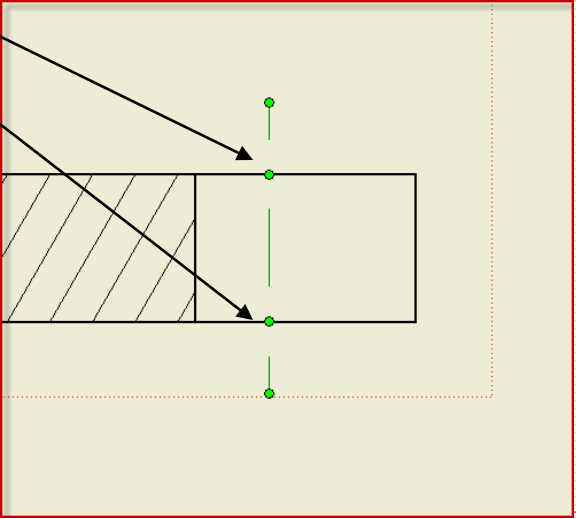
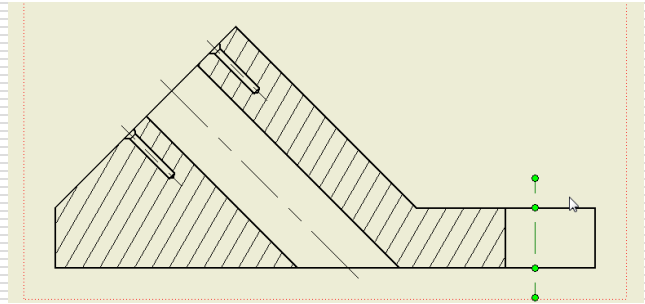


Finish Right View

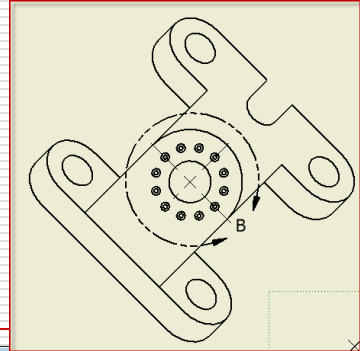
□ Centerline - Bisectors (3x) 

□ Centerline 

- Start
- End
- Create / Done




Finish Auxiliary View



<rmb> select view

Edit view

■ Style from base 

■ Remove hidden lines 

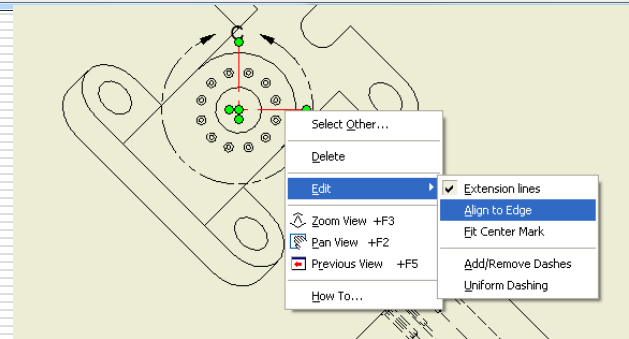
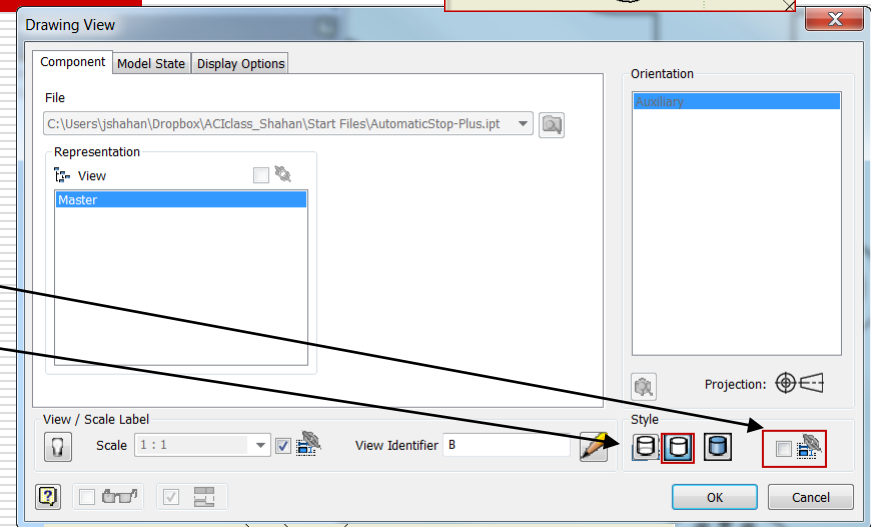
If needed

Center Mark

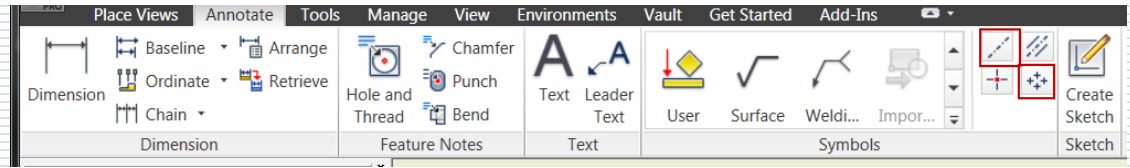
■ Select larger circle

■ <rmb> - Edit /Align
to edge (if necessary)

■ Adjust extensions



Finish Detail View



□ Centered Pattern

- Central Feature
- Centered Features
- Create / Done


□ Edit Center Mark

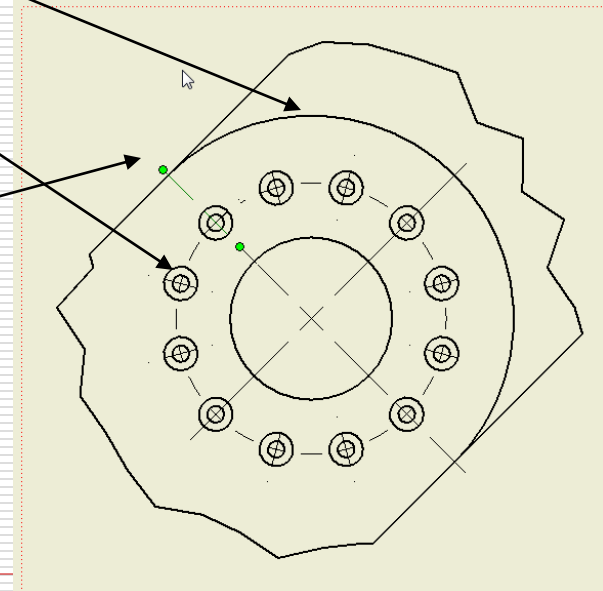
- Align to edge

□ Extend

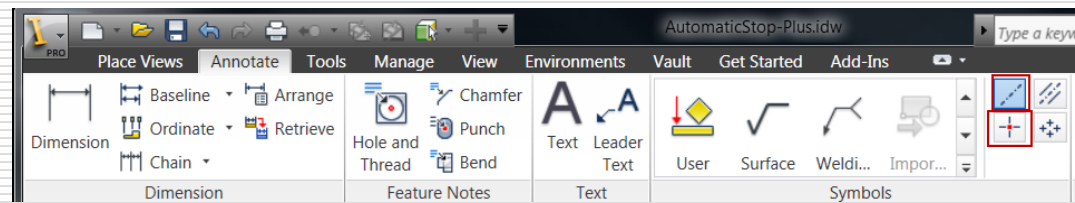
- appropriate lines

Note:

- software bug: The center will un-align itself
- Alternate: Use Centerline 



Finish Top View

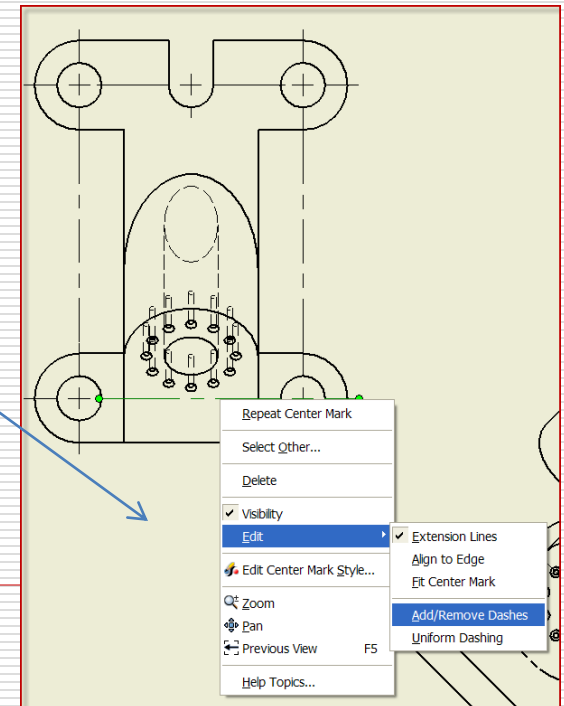
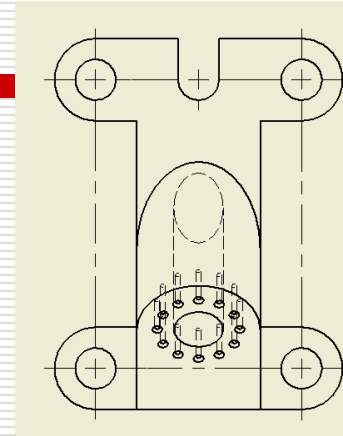


Centerlines 

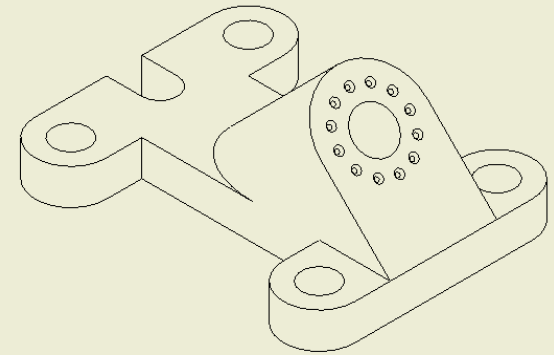
or

Center Mark 

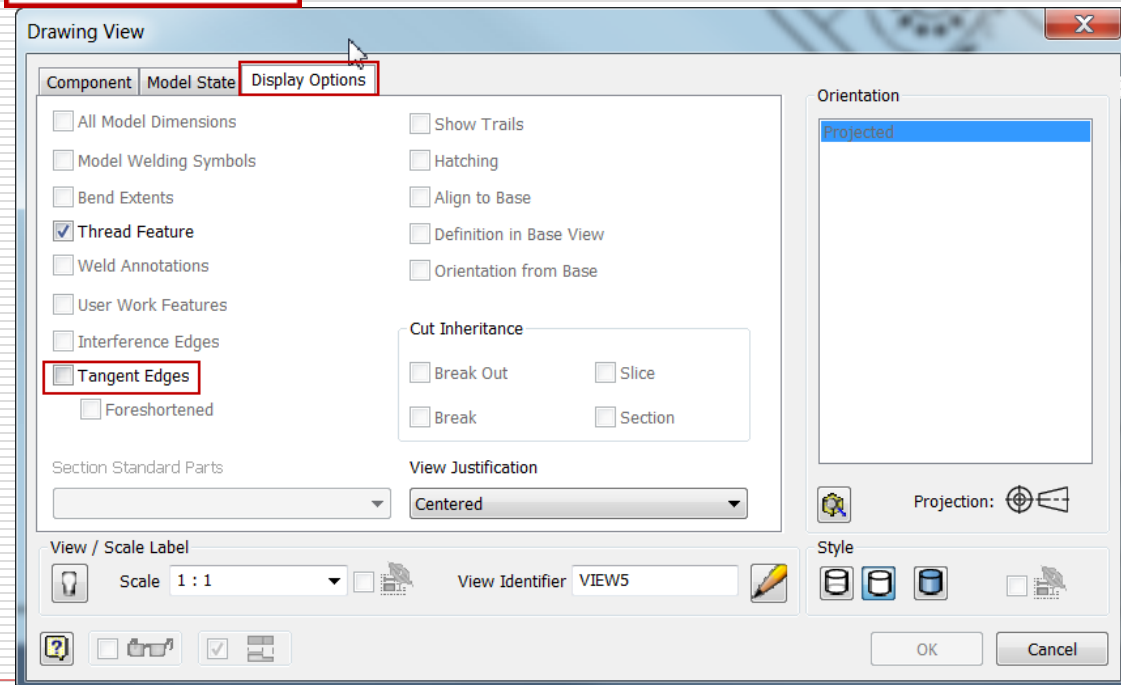
- Extend Centerlines
- Edit / Add dashes



Isometric View



- Select / Edit View <rmb>
- Display Options Display Options
- Tangent Edges Tangent Edges

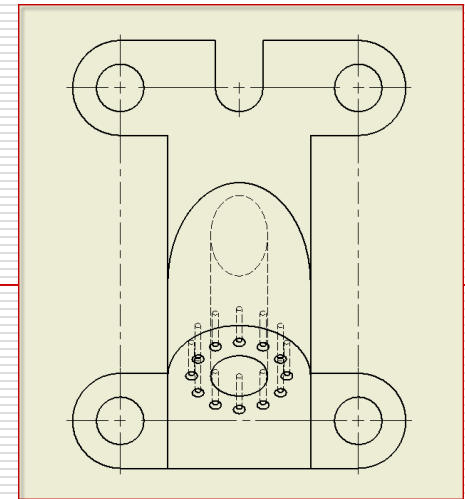


Line pattern spacing

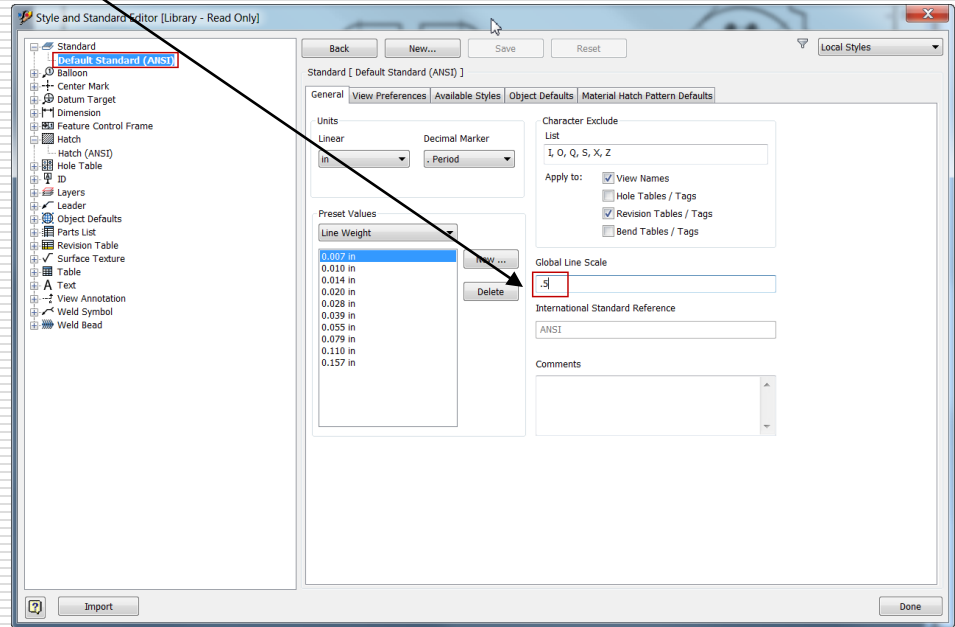
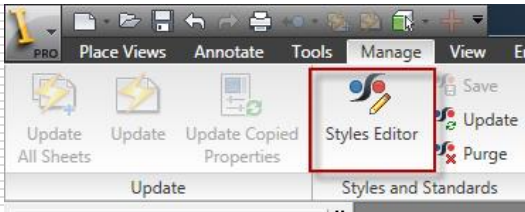
Manage / Styles Editor

- Default Standard
- Global Line Scale = .5

After:



Before:



Final Layout:

