
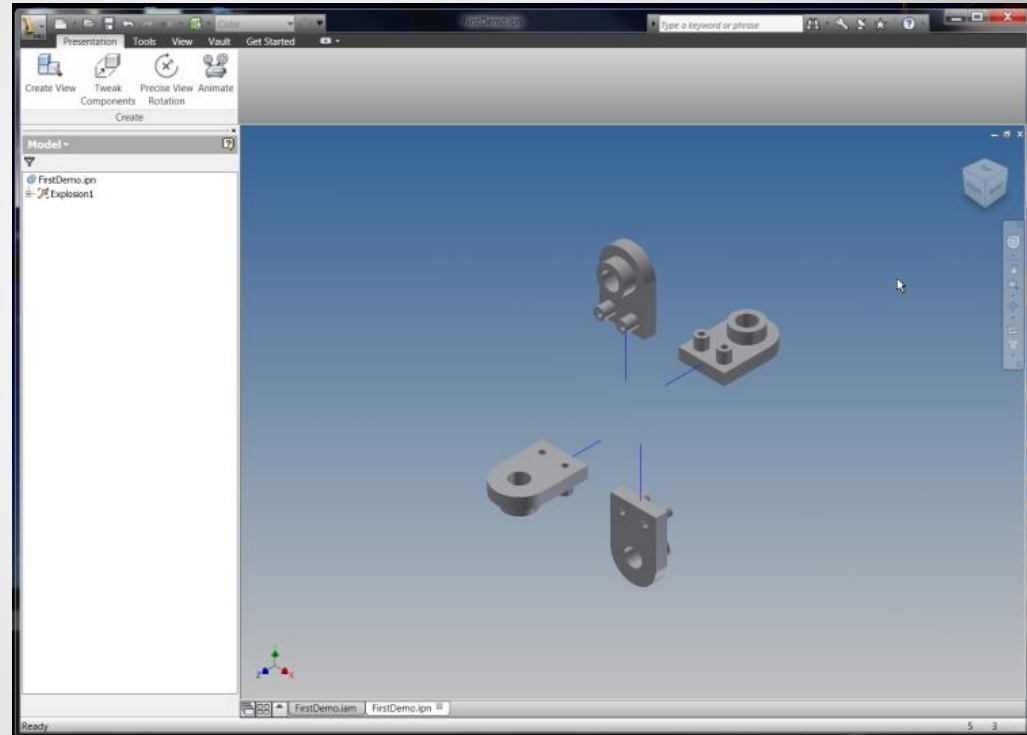
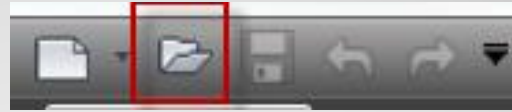


Quick Drawing Views -Assemblies

Using Autodesk Inventor

1.INITIALIZATION

- Open 
 - Workspace
 - File name:
 - File type:

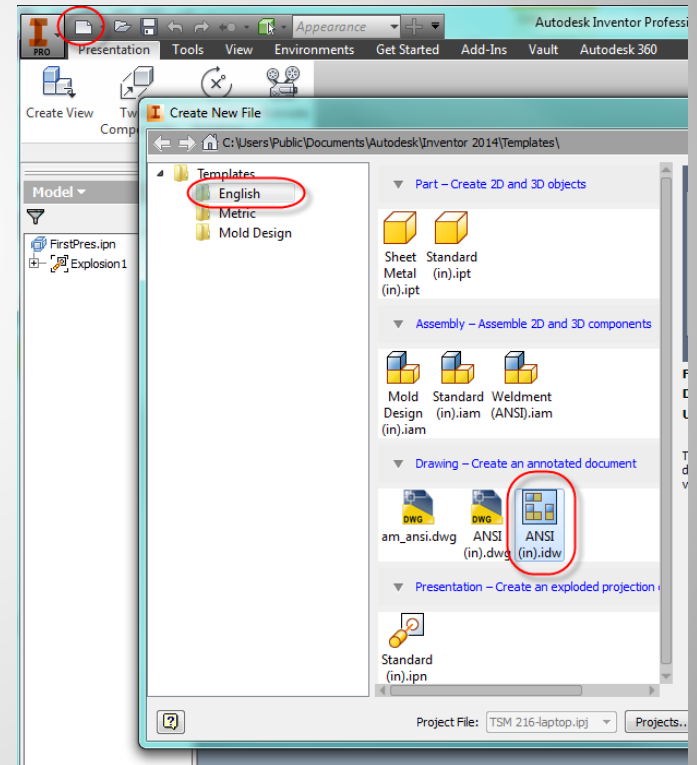


b. Open the presentation

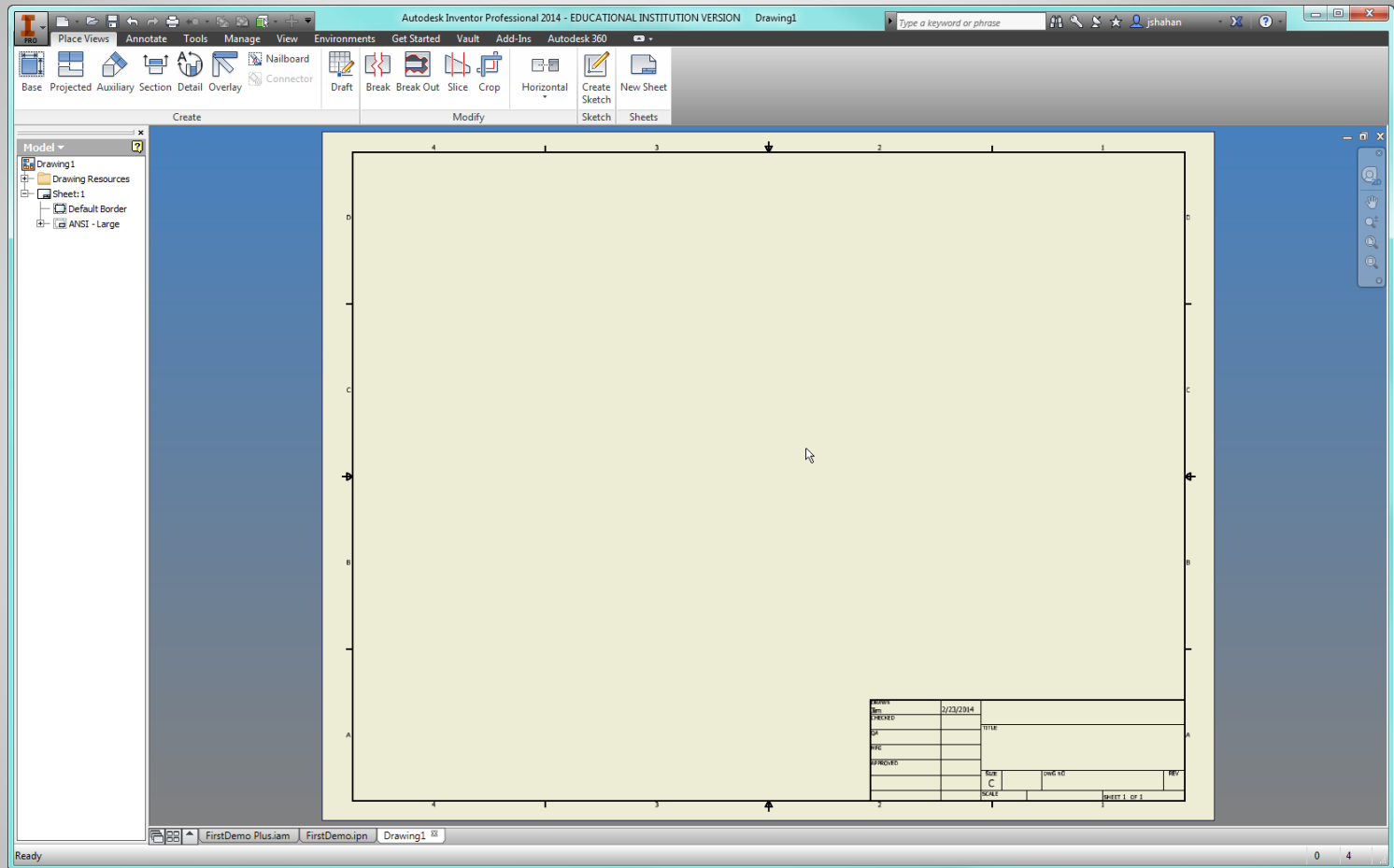
✓ New: 

✓ Templates (Choose)

✓ Standard: English – ANSI(in).idw



c. New Drawing



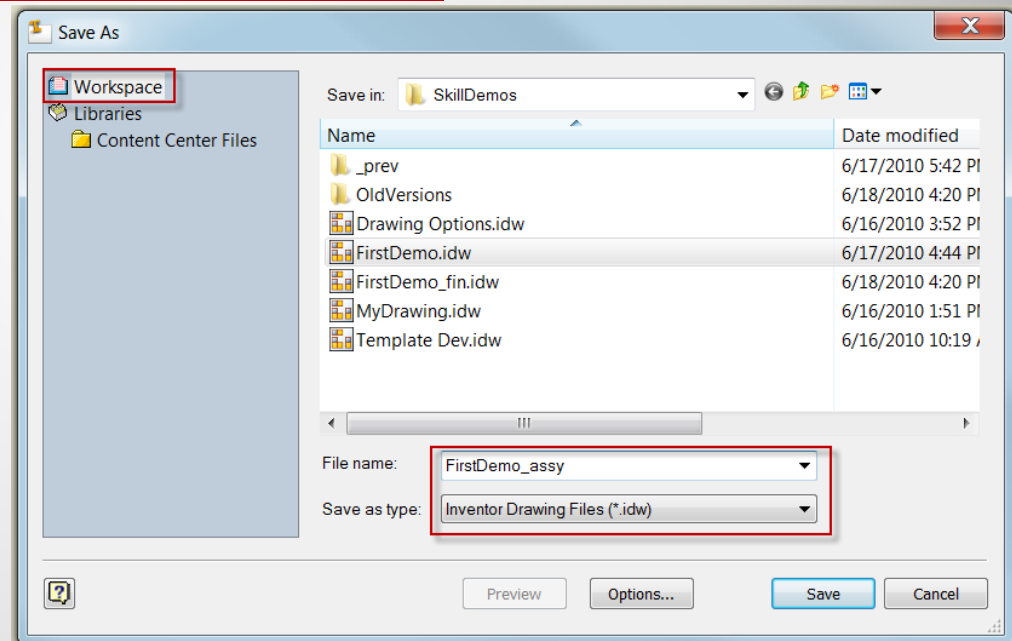
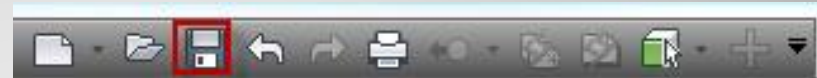
d. New Drawing

Save: 

Location:  Workspace

File name: FirstDemo_assy

File type: Inventor Drawing Files (*.idw)



e. New Drawing - Save

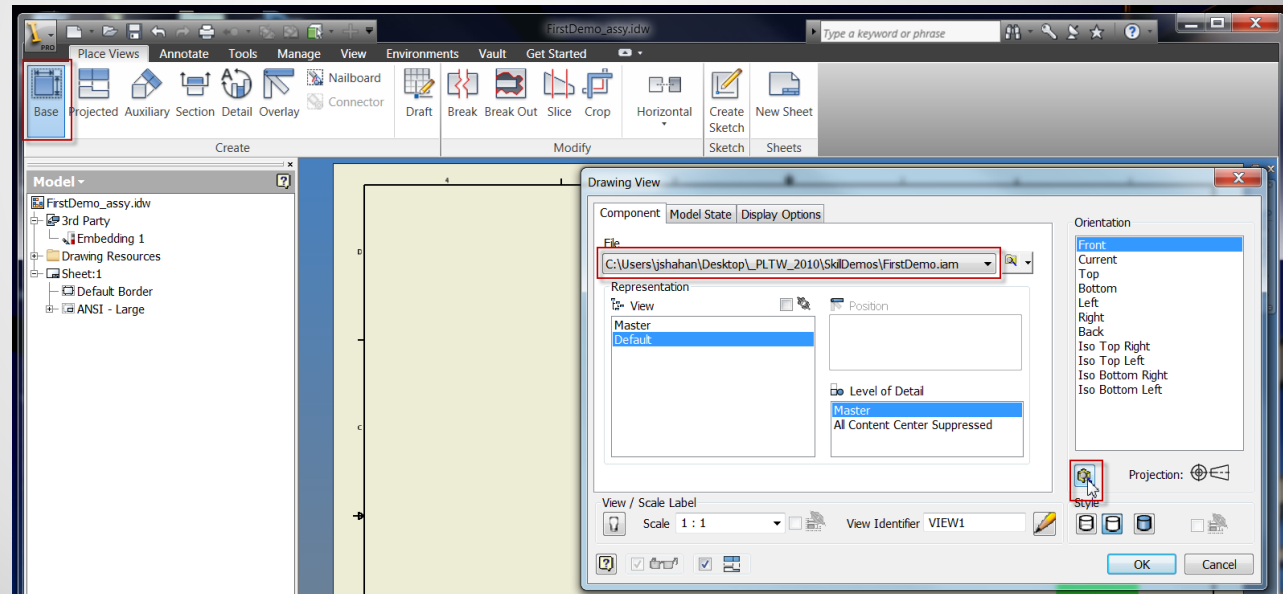
2. FRONT AND PROJECTED VIEWS

☑ Place Views

☑ Base

☑ File: ____ .iam

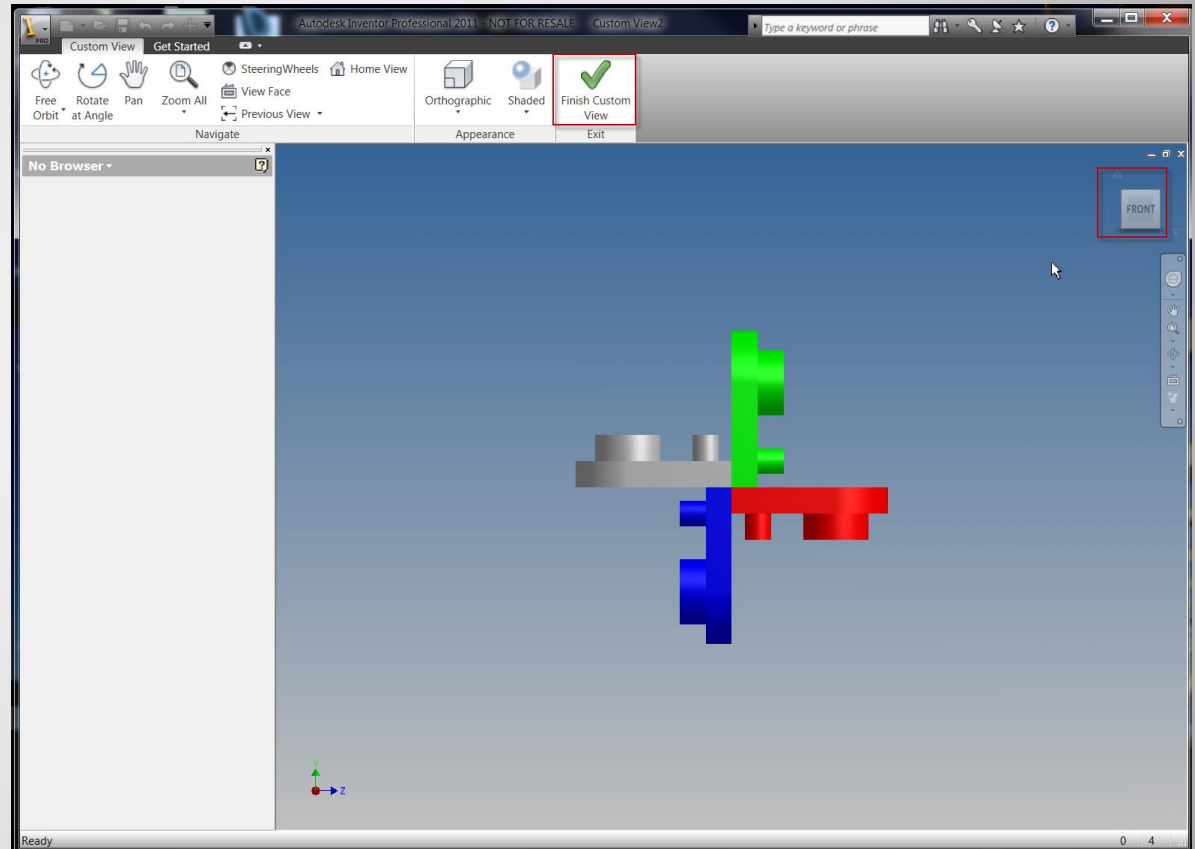
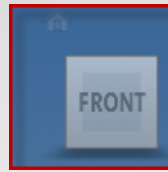
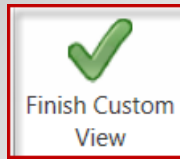
☑ Orient:



a. Orient

Selected

Finish

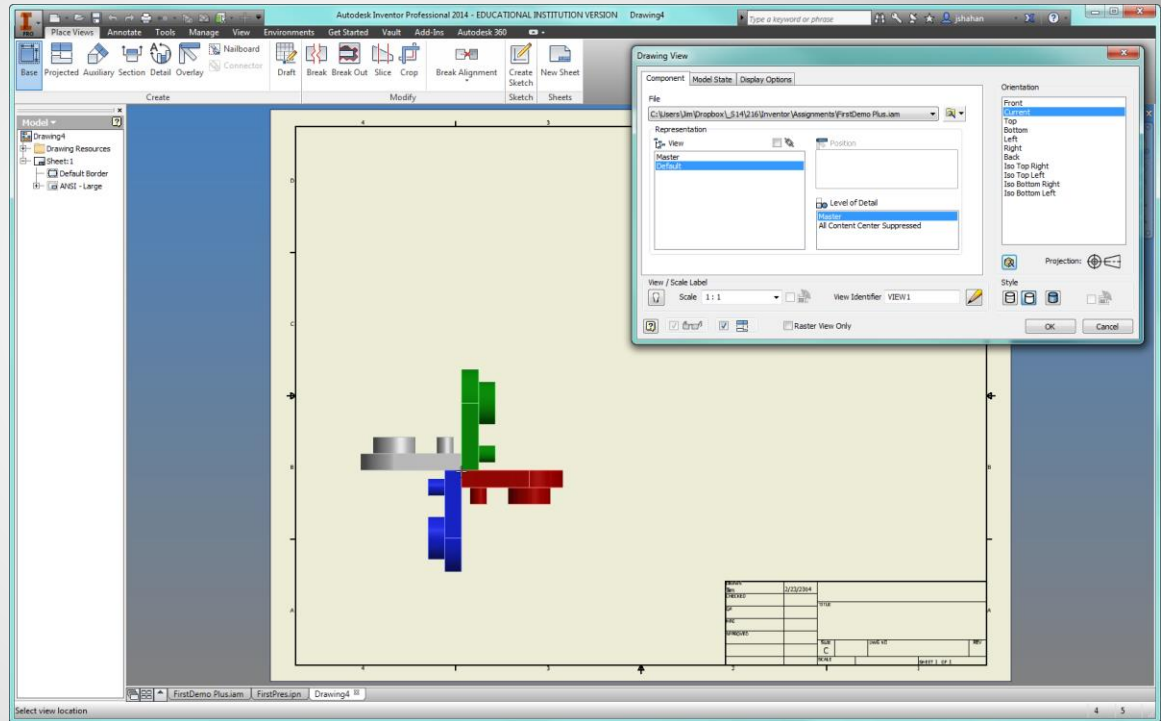


b. Orientation

✓ Scale:

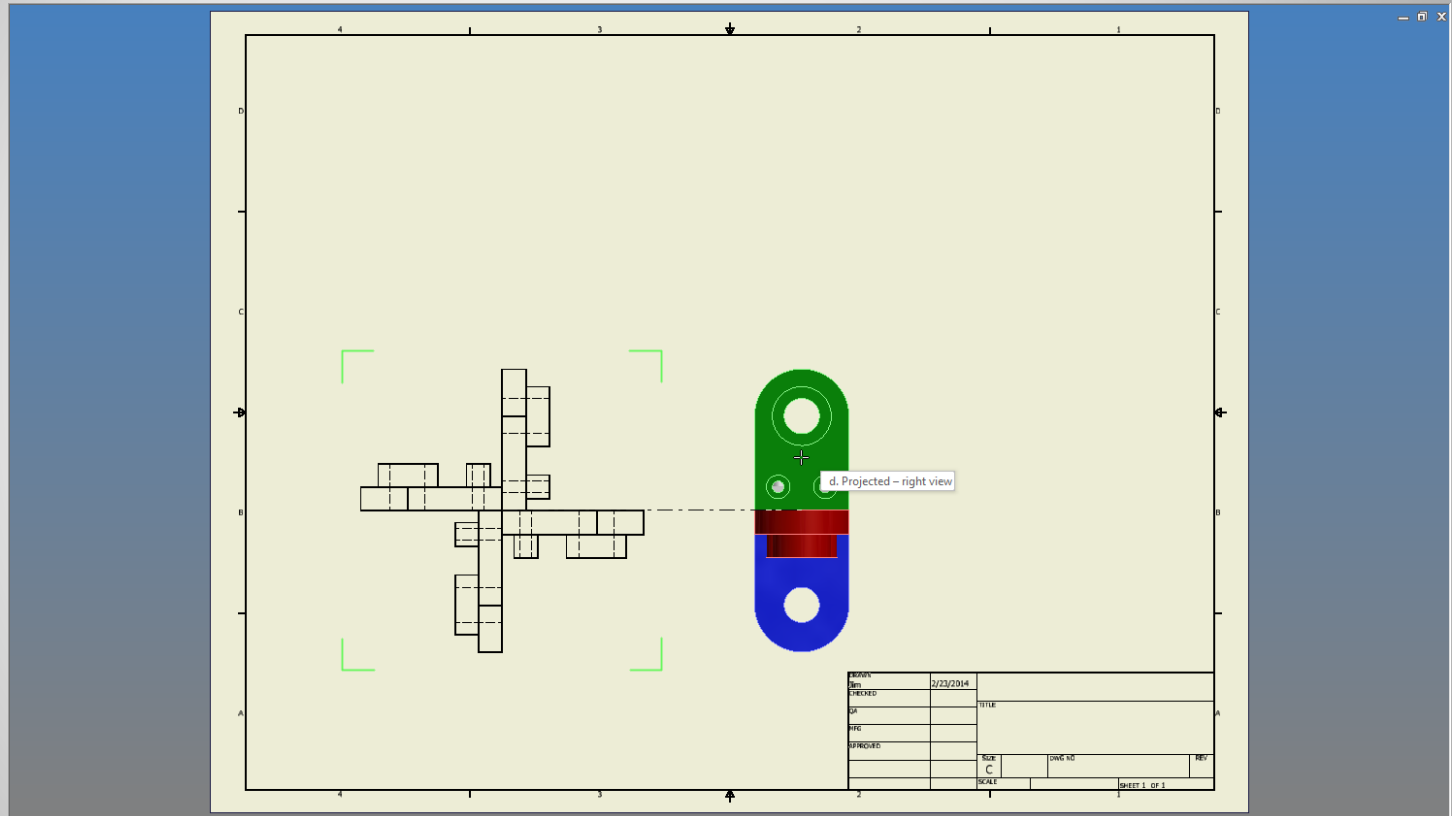
✓ Style: Hidden Line 

✓ Place: 



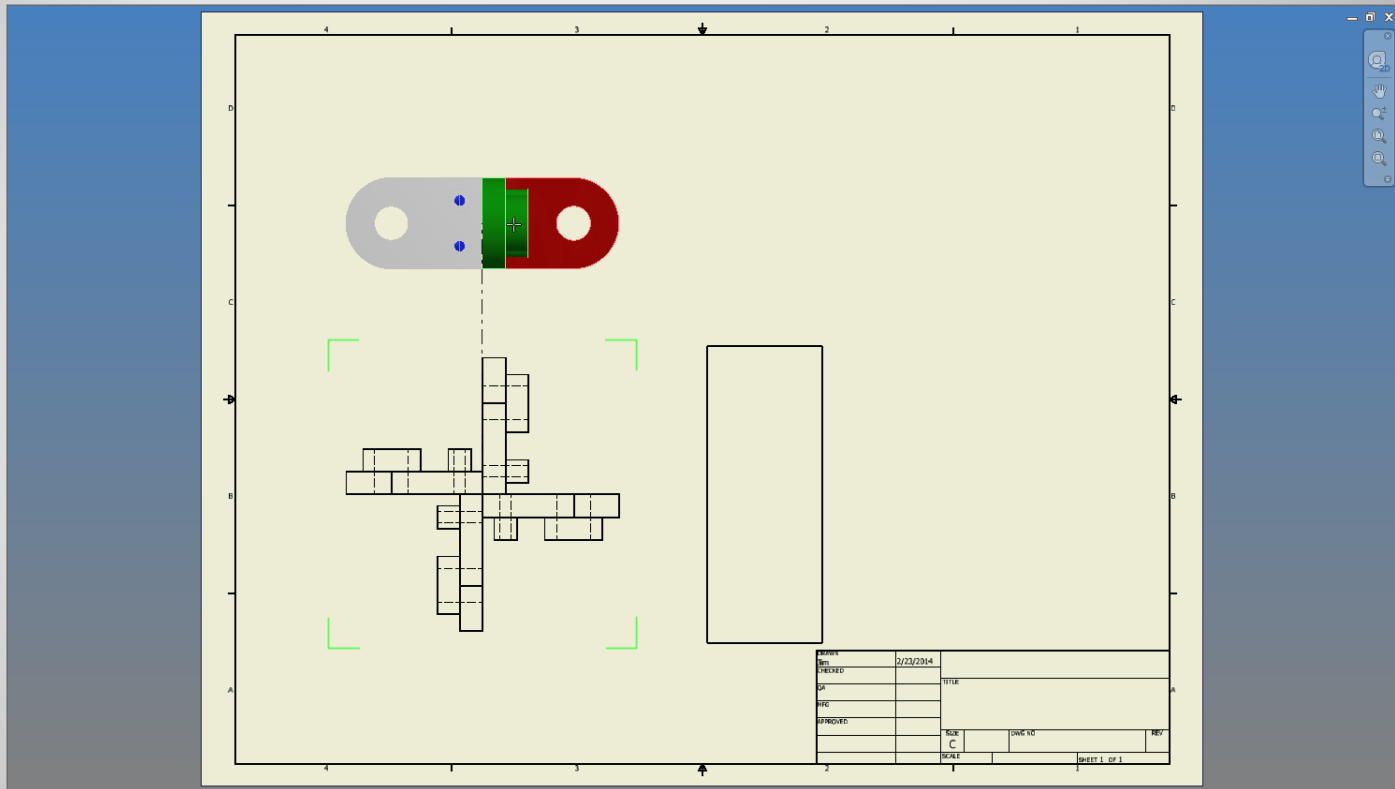
c. Place

Pick: view location 



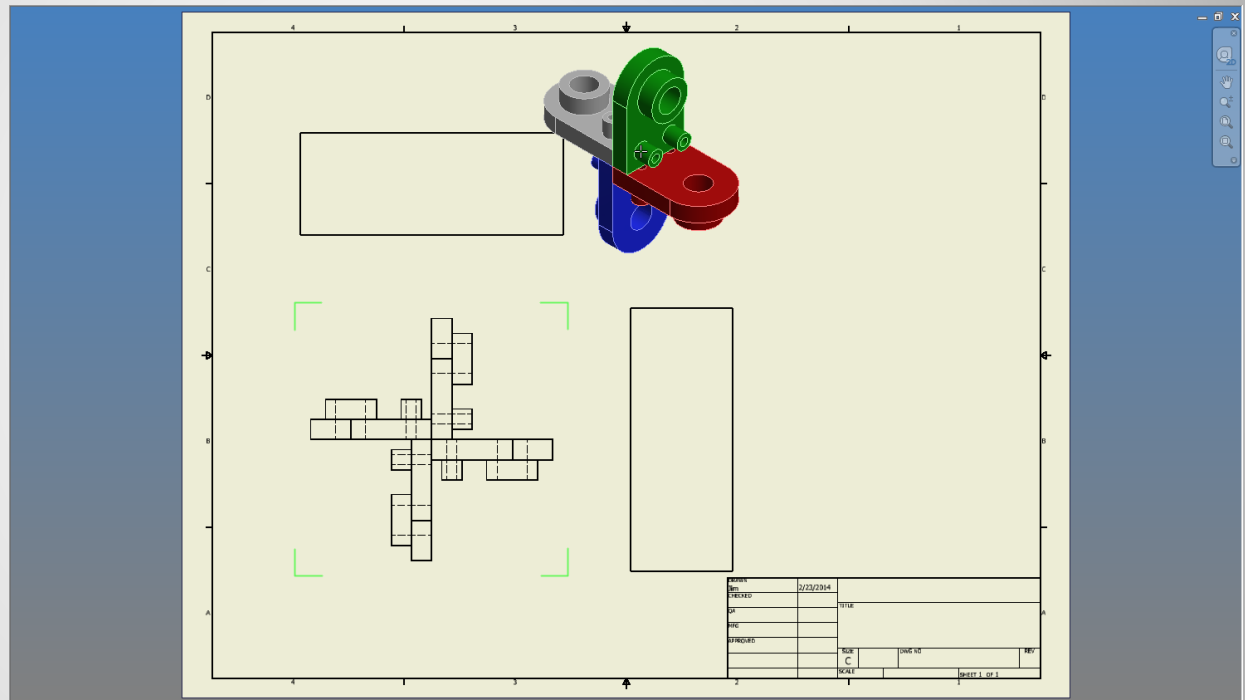
d. Projected – right view

☑ Pick: view location 



e. Projected – top view

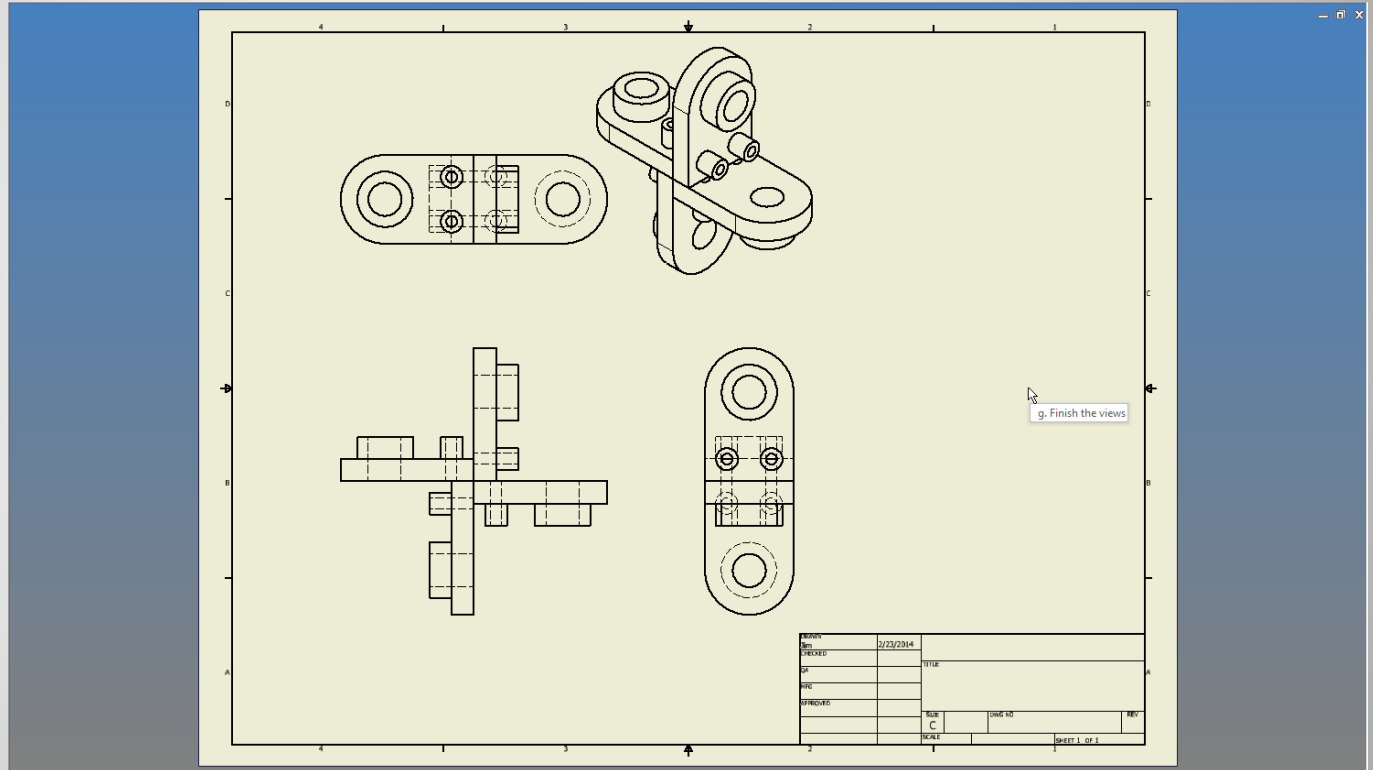
☑ Pick: view location 



f. Projected – isometric

<RMB>

Create



g. Finish the views

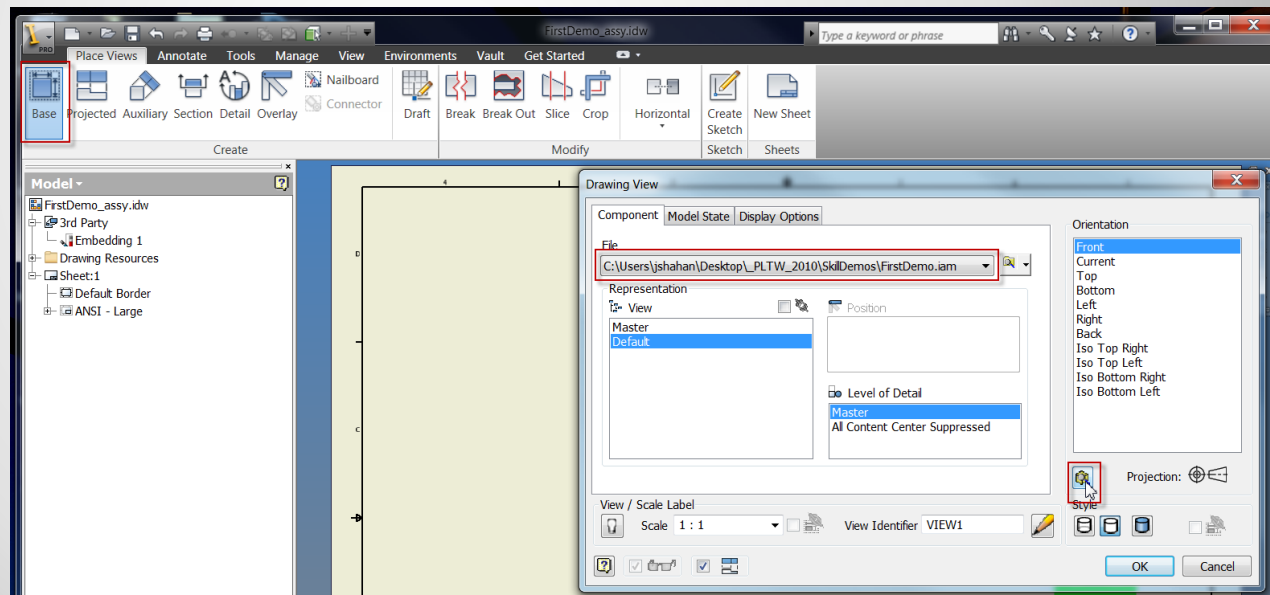
3. EXPLODED VIEW

☑ Place Views

☑ Base

☑ File:

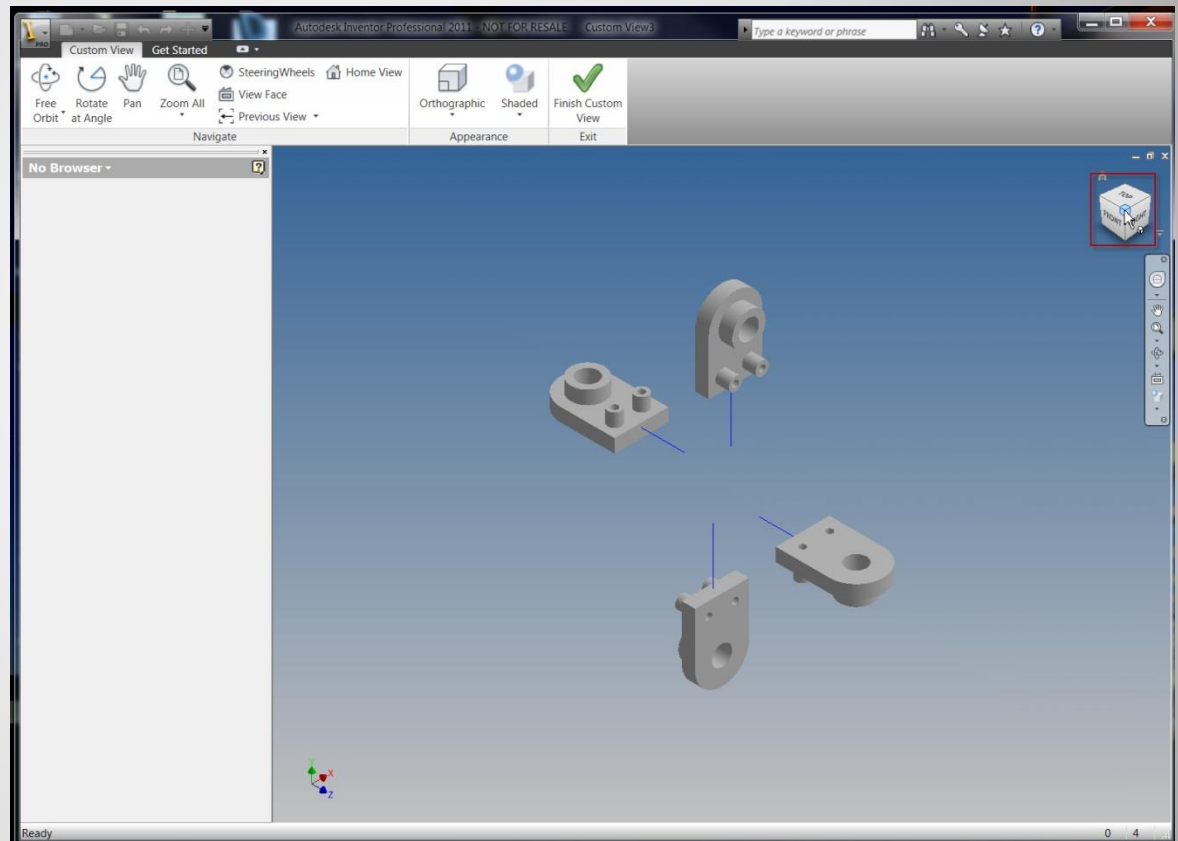
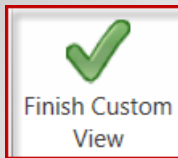
☑ Orient:



a. Orient

Selected

Finish

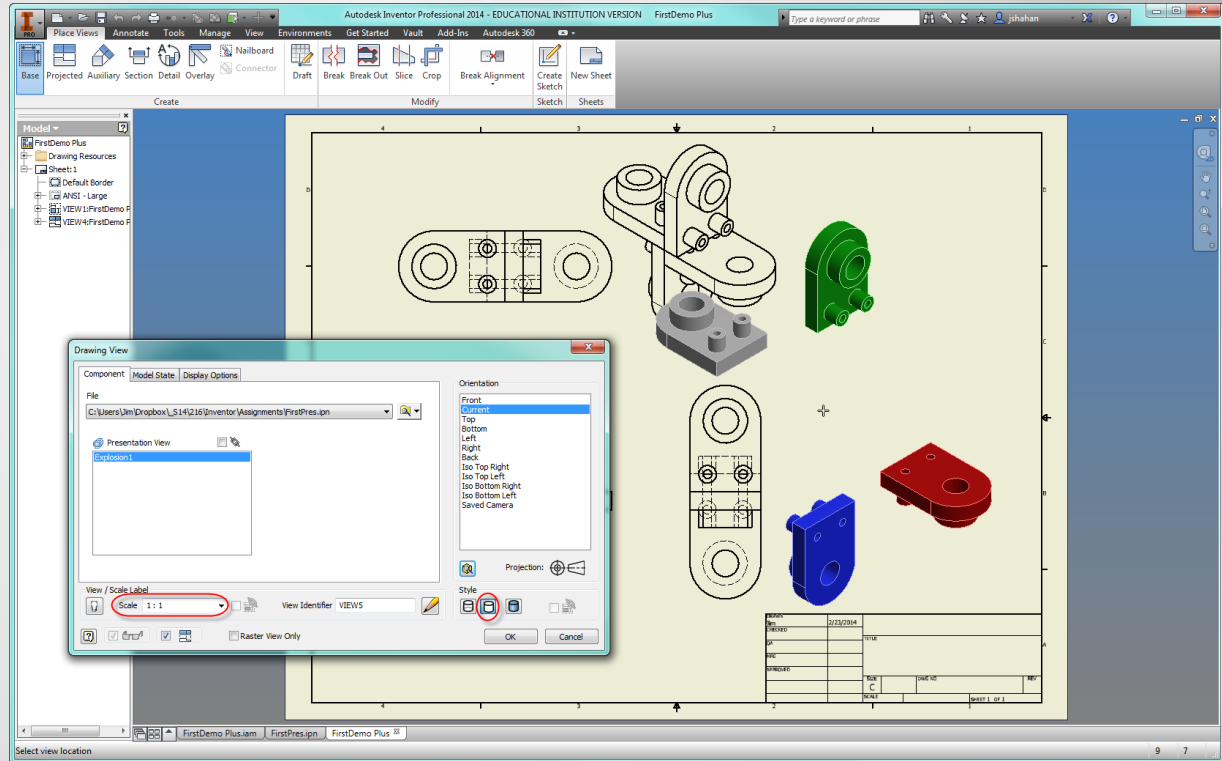


b. Orientation

✓ Scale: Scale 1 : 1

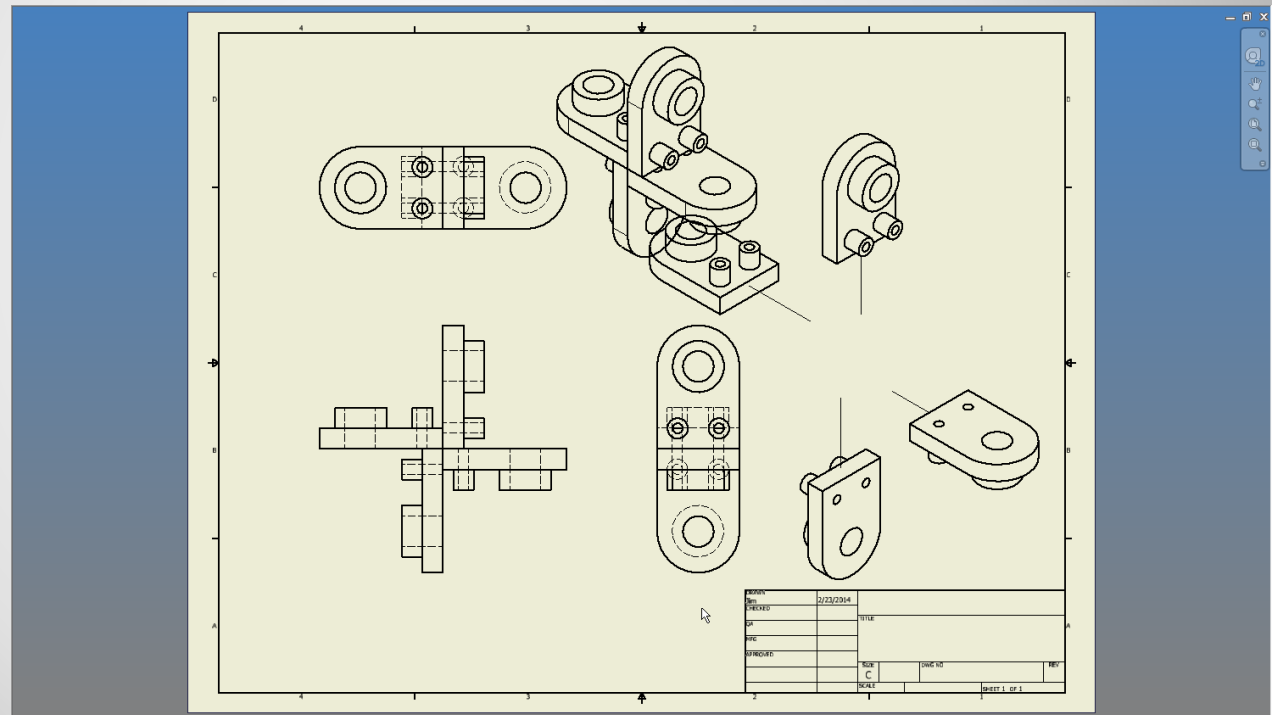
✓ Style: no Hidden Line 

✓ Place: 



c. Place

- ☑ Required
 - ✓ Scale Views
 - ✓ Move View



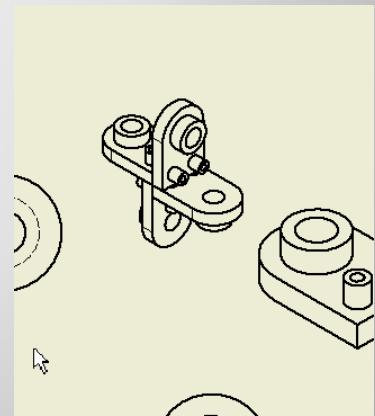
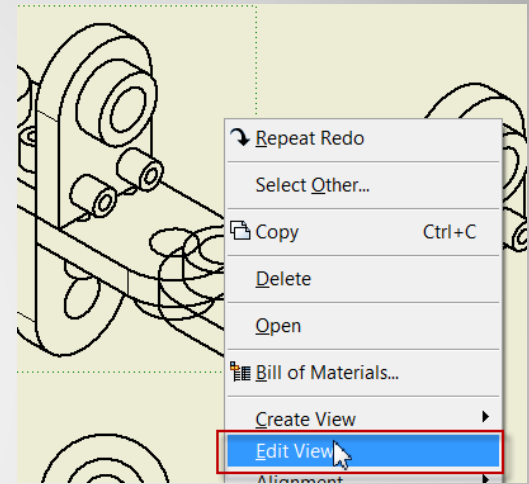
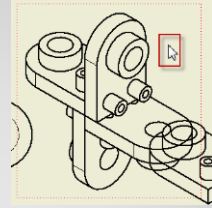
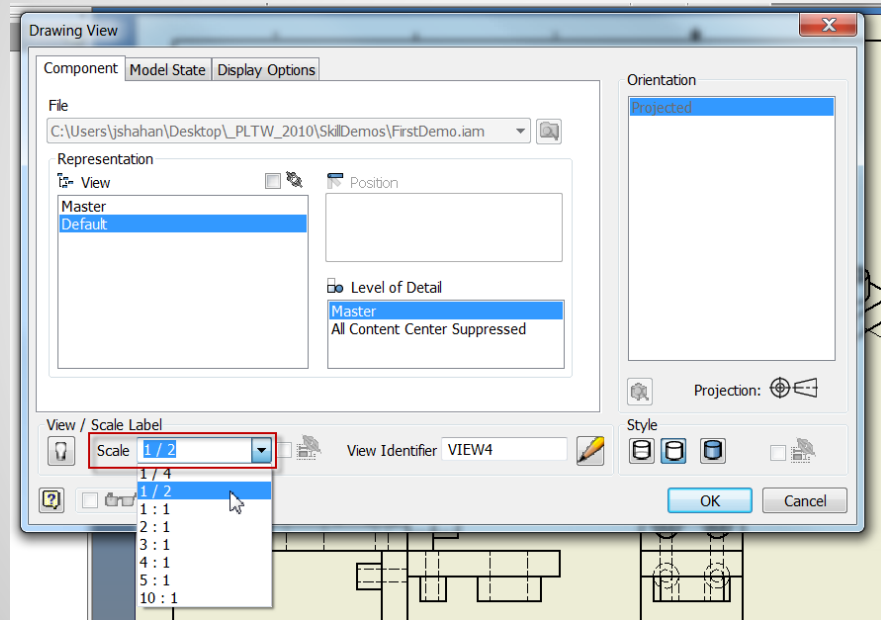
d. Views – rough

4. VIEW DETAILS

✓ Pick: View 

✓ <RMB> Edit View 

Scale 

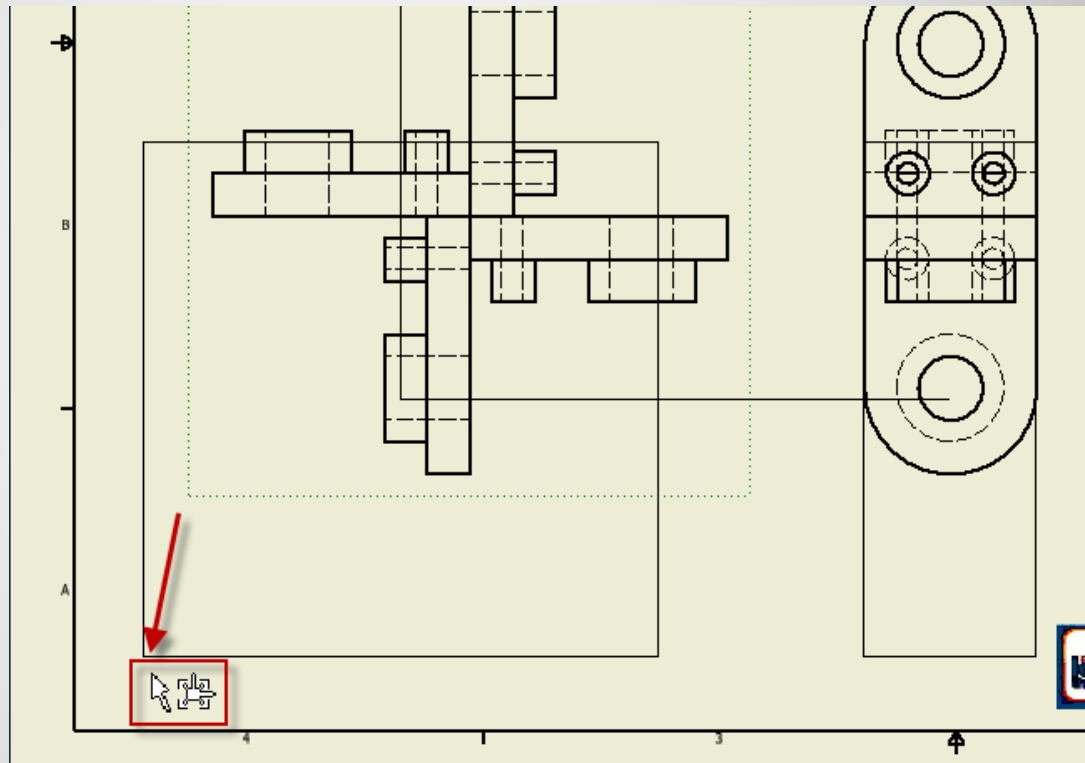


a. Scale

☑ Pick: View Border

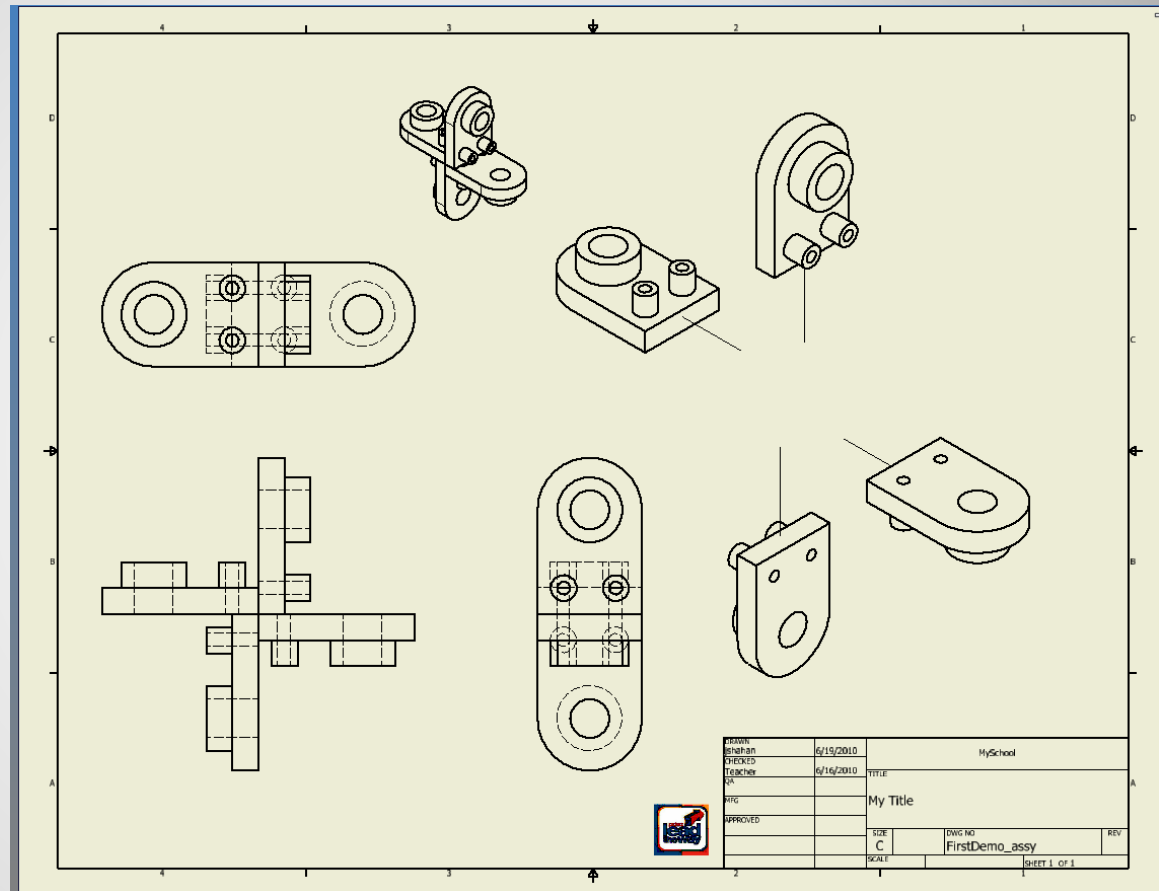


☑ Drag to location



b. Position

☑ Repeat previous



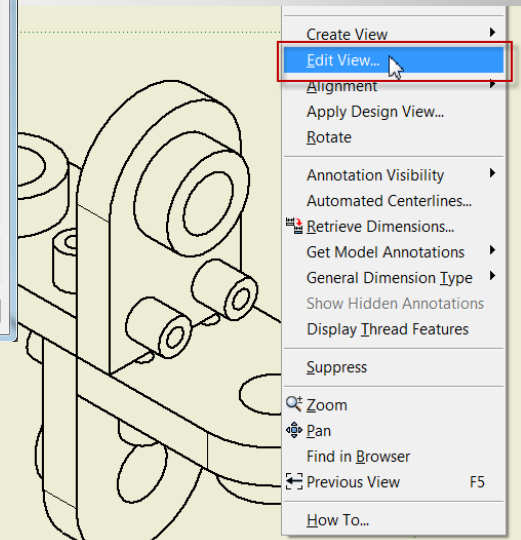
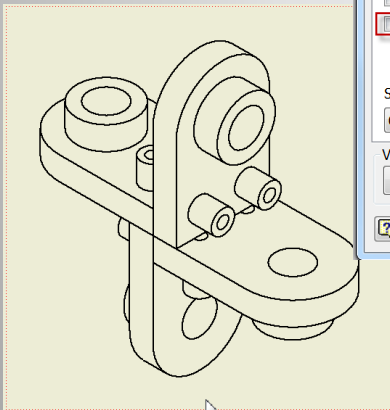
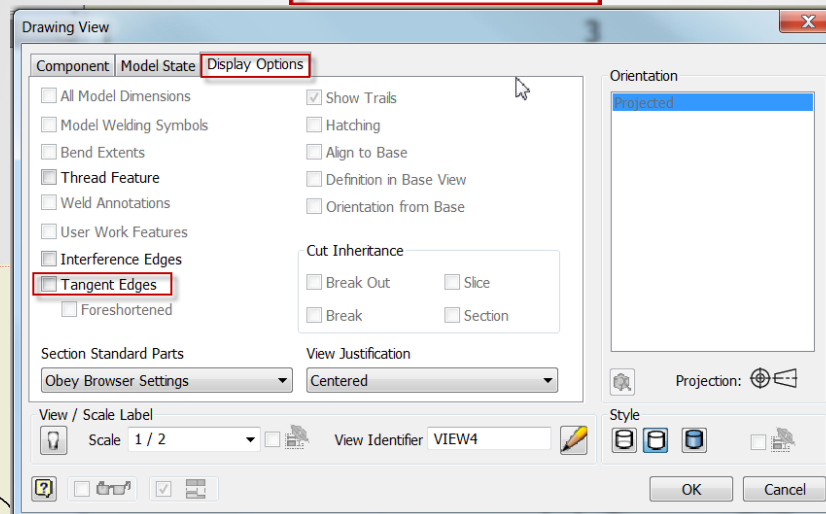
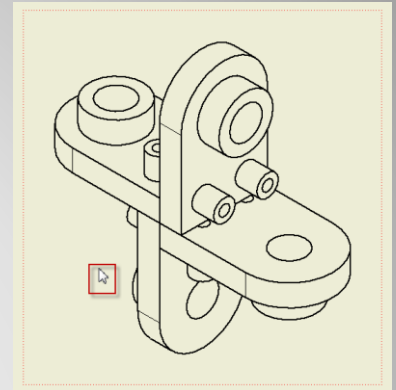
c. Arranged

✓ Pick: Iso View 

✓ <RMB> Edit View 

✓ Display Options 

✓ Tangent Edges 



d. Tangent lines

4. ANNOTATION

Annotate

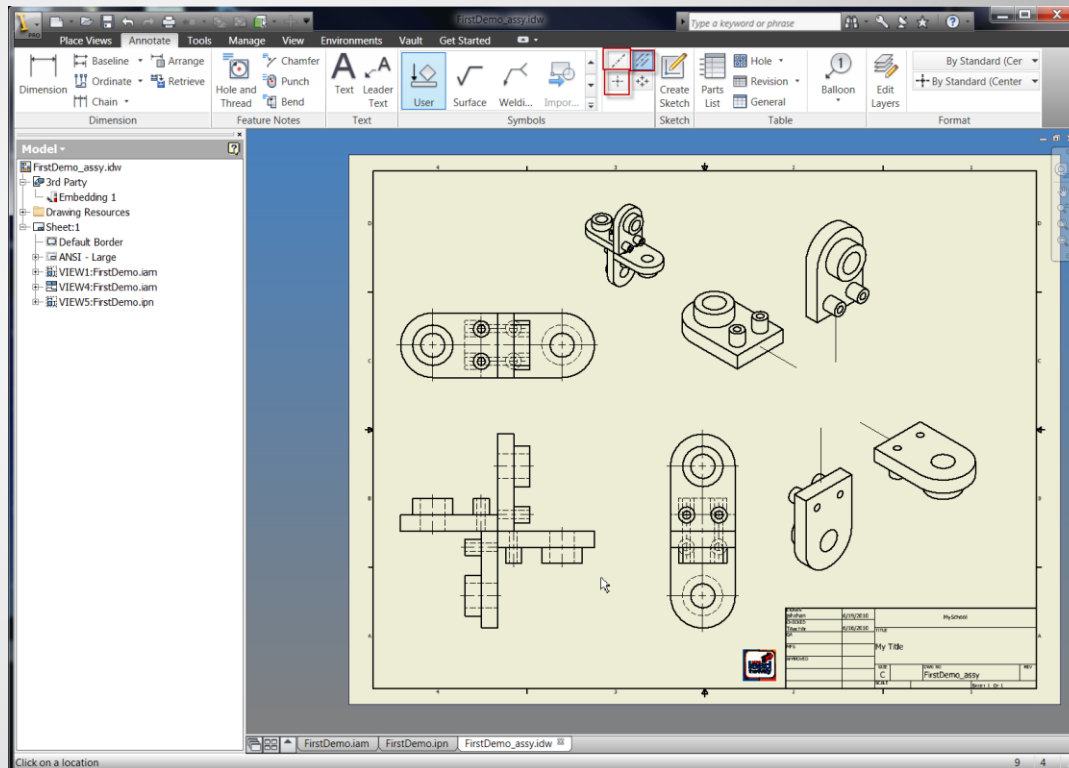
Center Mark



Centerline



Bisector

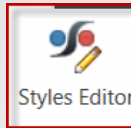


a. Center Mark

Manage

Place Views Annotate Tools Manage View Environments Vault Get Started

✓ Styles Editor



✓ Default Standard (ANSI)

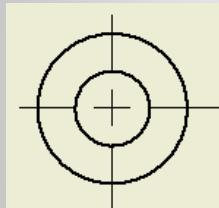
Default Standard (ANSI)

✓ Global Line Scale

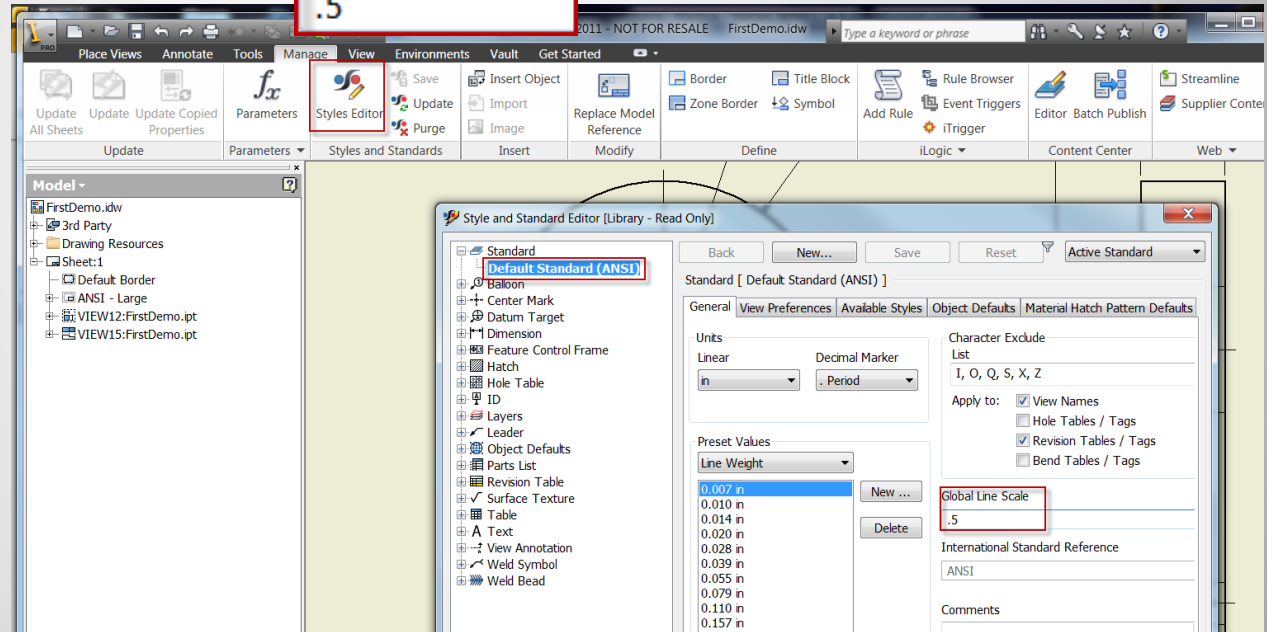
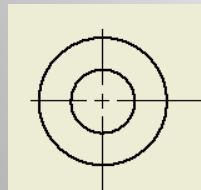
Global Line Scale

.5

Before:



After:

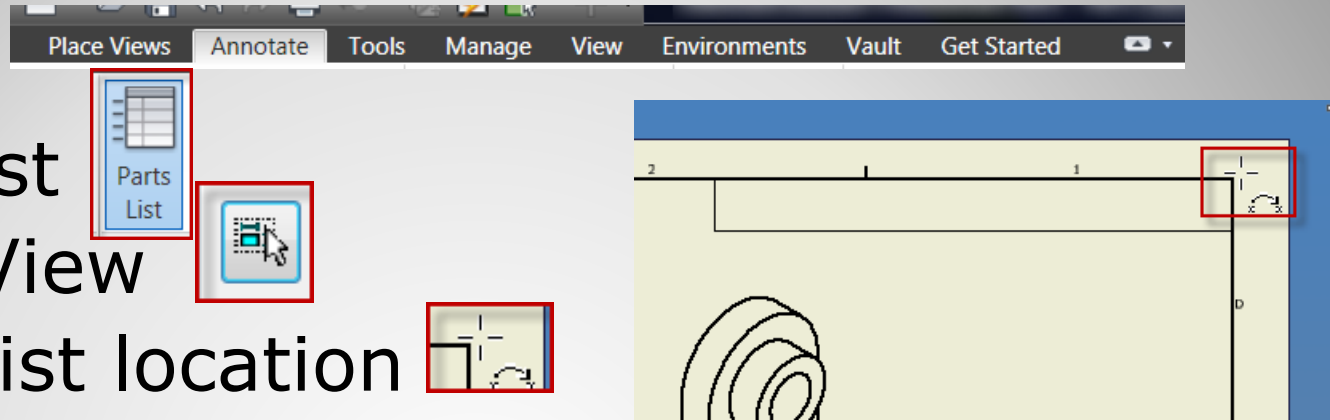


b. Style – Global Line Scale

5. ASSEMBLY DETAILS

Annotate

- Parts List
- Select View
- Parts List location



PARTS LIST			
ITEM	QTY	PART NUMBER	DESCRIPTION
1	4	FirstDemo	

a. Parts List - default

Annotate

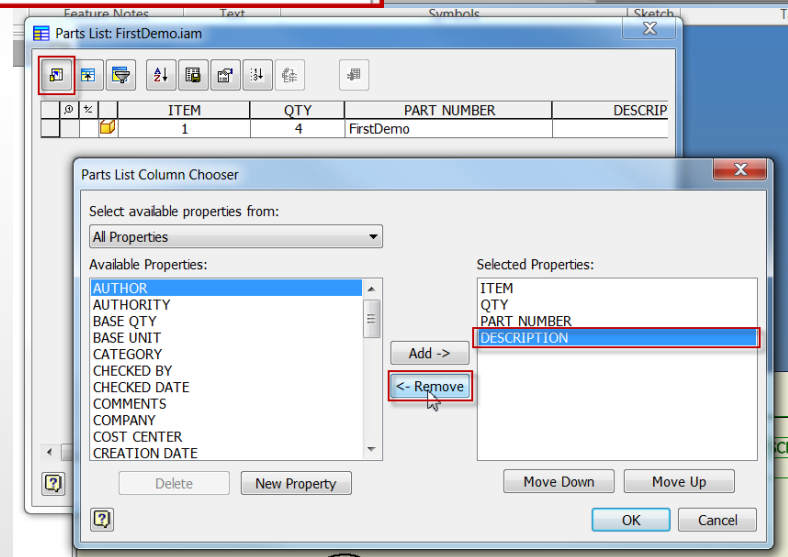
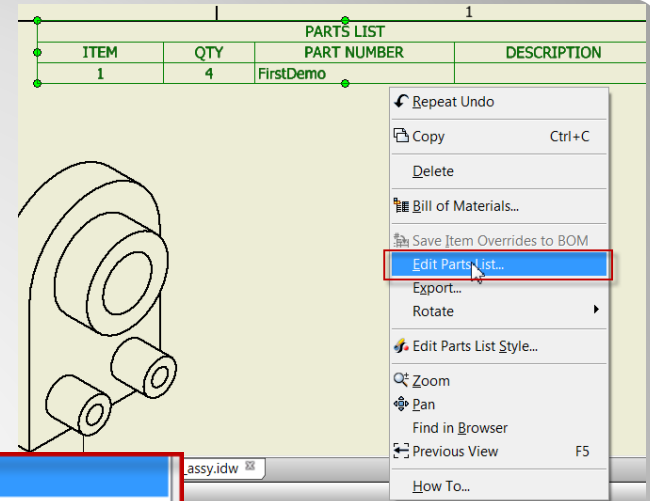
✓ Pick: parts list

✓ <RMB> 

✓ Column chooser 

✓ Description 

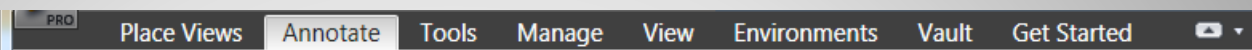
✓ Remove 



PARTS LIST		
ITEM	QTY	PART NUMBER
1	4	FirstDemo

b. Parts List – edit columns

Annotate



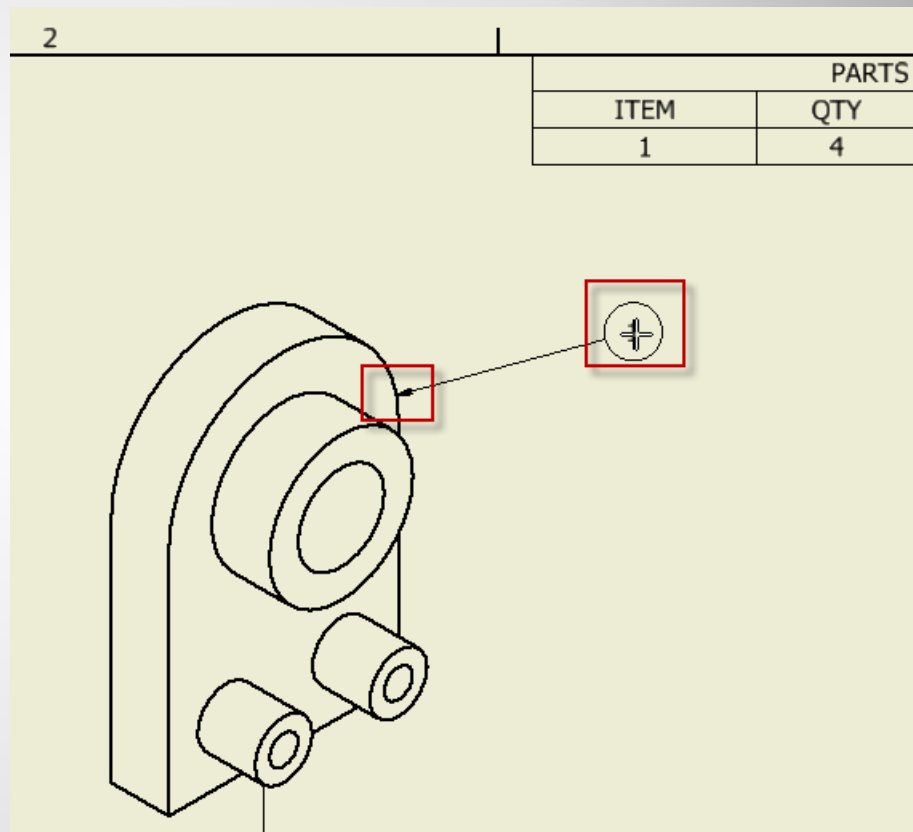
Balloon



<Pick> Attach



<Pick> Locate



c. Part identification

6. COMPLETED DRAWING

- Save

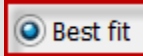


b. Save

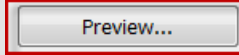
- Print



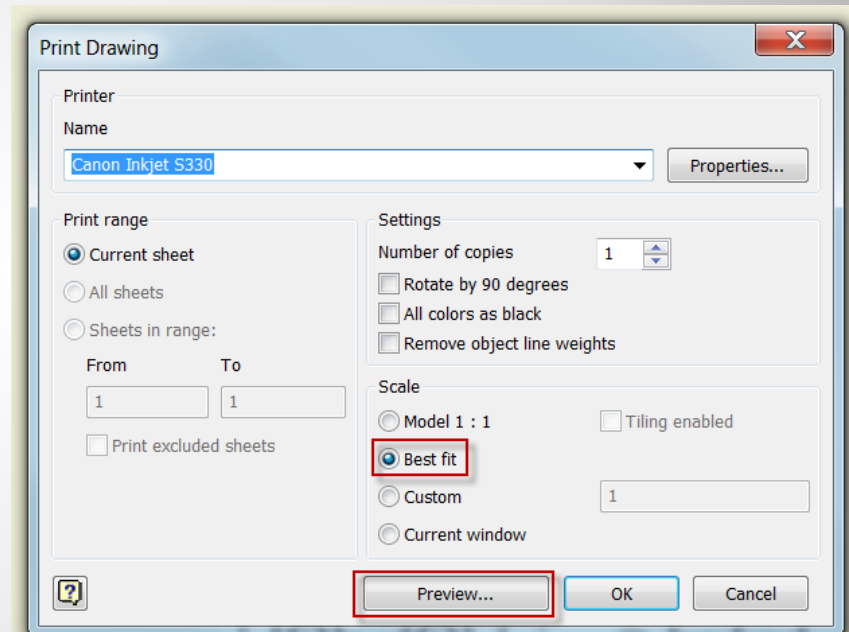
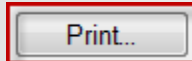
Best Fit



Preview



Print



c. Print