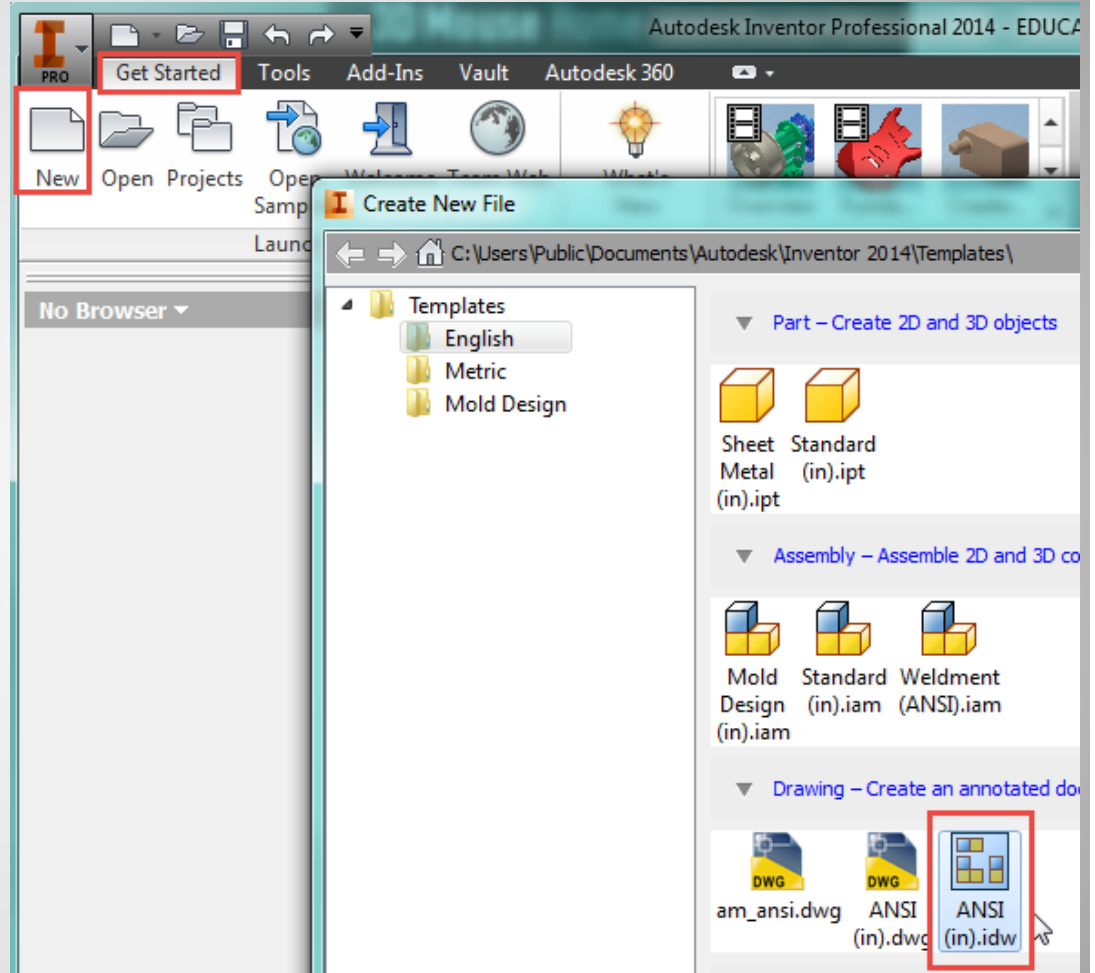


Quick Drawing Views -Parts


Using Autodesk Inventor

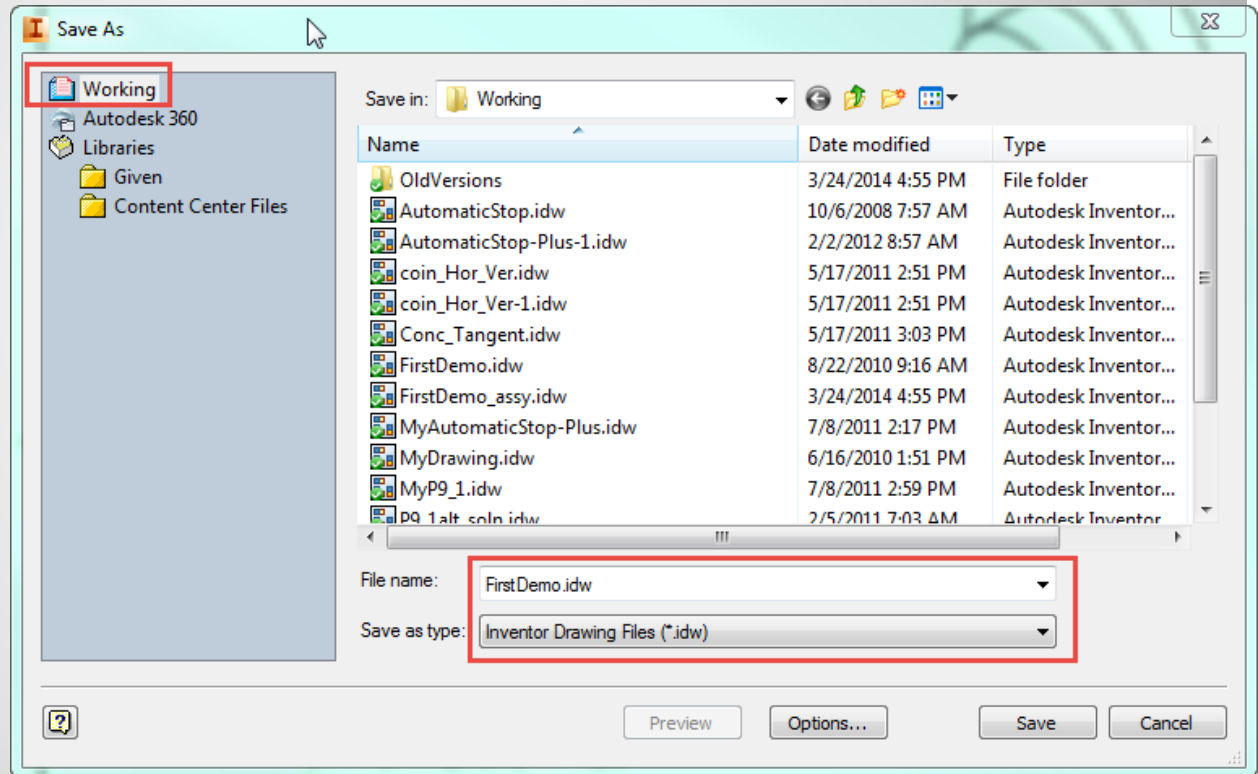
1.INITIALIZATION

- ☑ Get Started:
- ☑ New:
- ☑ English
- ☑ Ansi(in).idw



a. New Drawing

- ✓ Save: 
- ✓ Location:
- ✓ File name:
- ✓ File type:



b. New Drawing - Save

2. FRONT VIEW

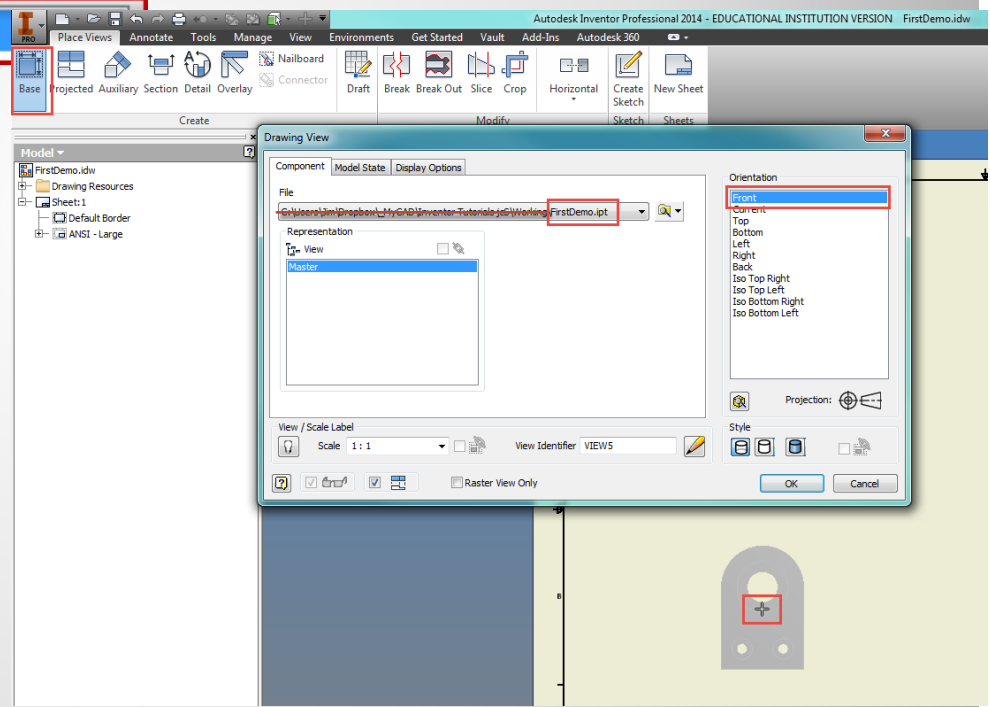
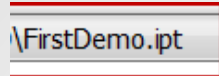
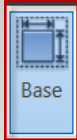
✓ Place Views

✓ Base

✓ File: open

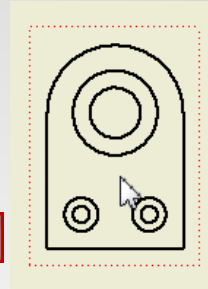
✓ Orient:

✓ Location:



a. Orient - place

- ✓ Pick: View
- ✓ <RMB> Edit View
- ✓ Scale: 2 : 1



Edit View...

- Repeat Base View
- Copy Ctrl+C
- Delete
- Open
- Create View
- Edit View...**
- Alignment
- Rotate
- Annotation Visibility
- Automated Centerlines...
- Retrieve Dimensions...
- Get Model Annotations
- General Dimension Type
- Show Hidden Annotations
- Suppress
- Zoom
- Pan
- Find in Browser
- Previous View F5
- How To...

Drawing View

Component Model State Display Options

File
C:\Users\jshahan\Desktop_PLTW_2010\FirstDemo.pt

Orientation
Front
Current
Top
Bottom
Left
Right
Back
Iso Top Right
Iso Top Left
Iso Bottom Right
Iso Bottom Left

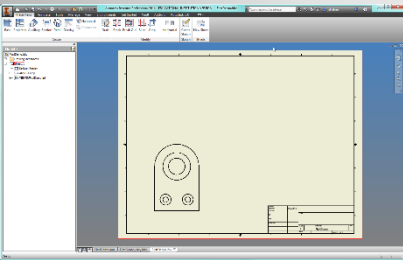
Projection:

View / Scale Label
Scale 1 : 1
1 / 4
1 / 2
1 : 1
2 : 1
3 : 1
4 : 1
5 : 1
10 : 1

View Identifier VIEW12

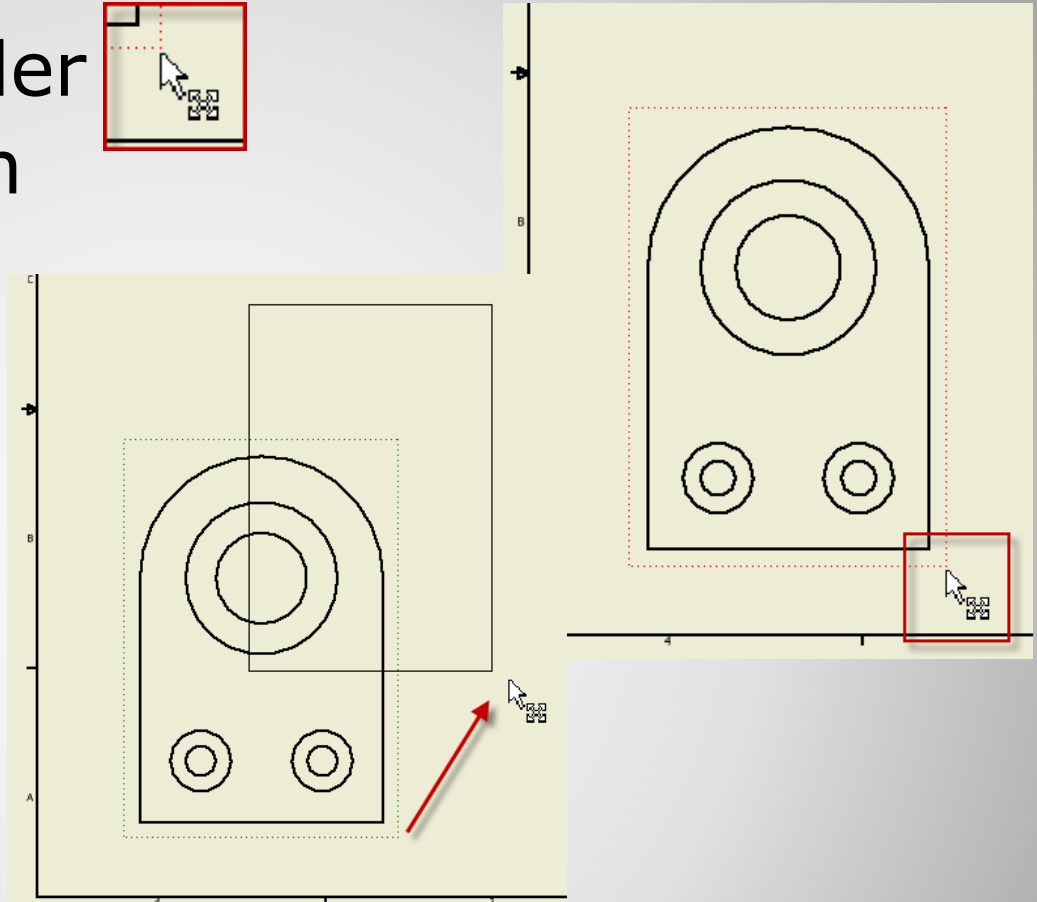
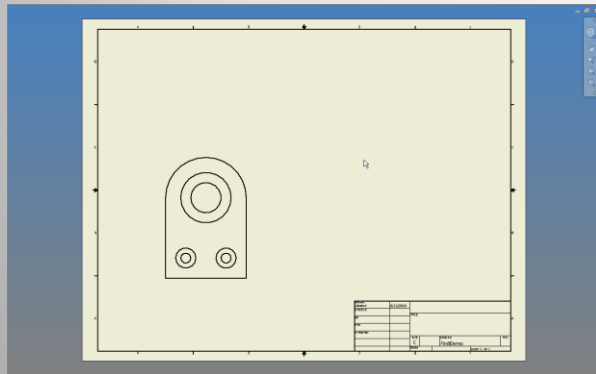
Style

OK Cancel



b. Scale

- ☑ Pick: View Border
- ☑ Drag to location



c. Position

3. OTHER VIEWS

Place Views

Place Views

Annotate

Tools

Manage

View

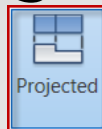
Environments

Vault

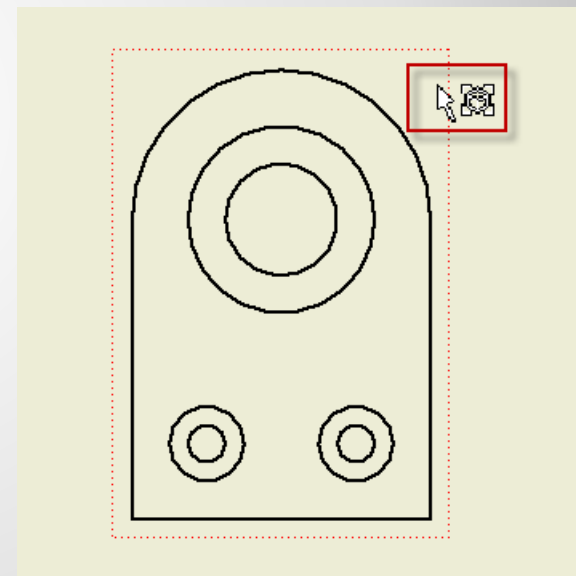
Get Started



Projected

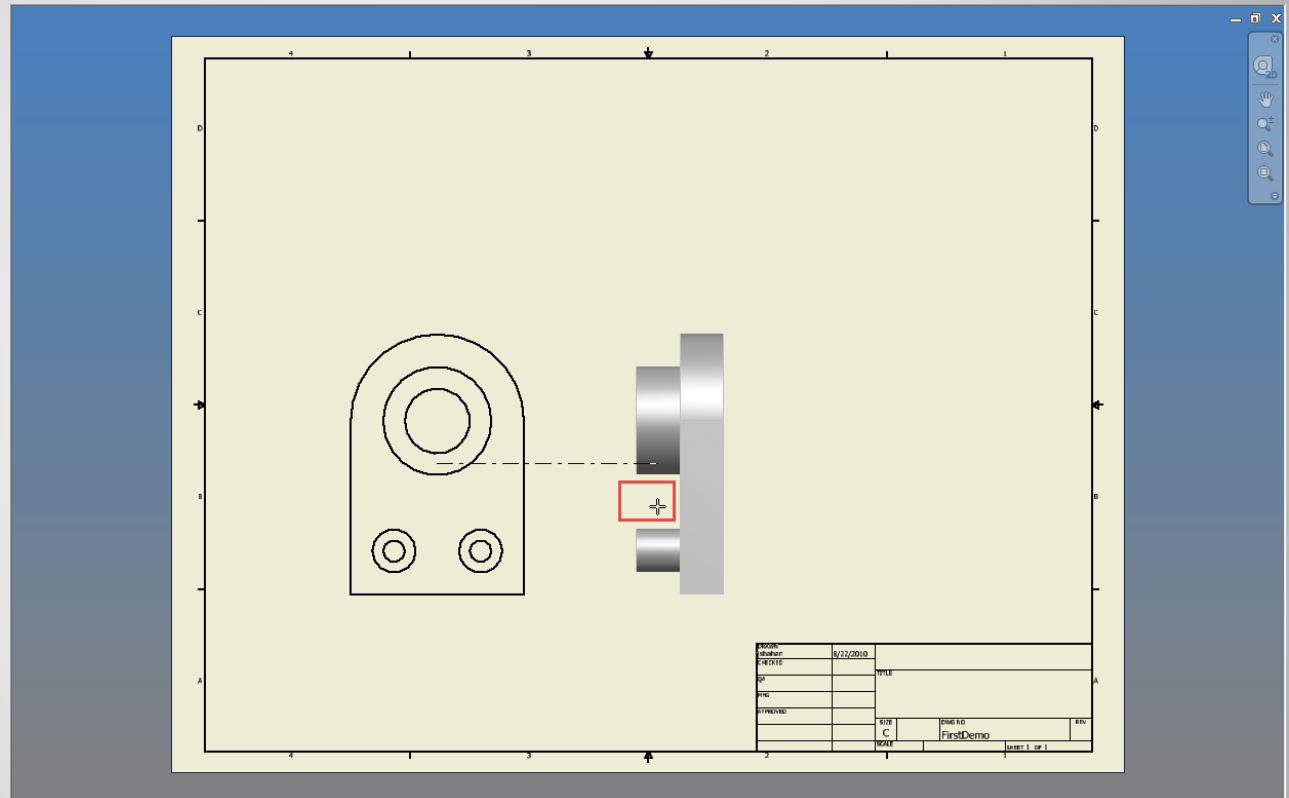


Pick: Reference View



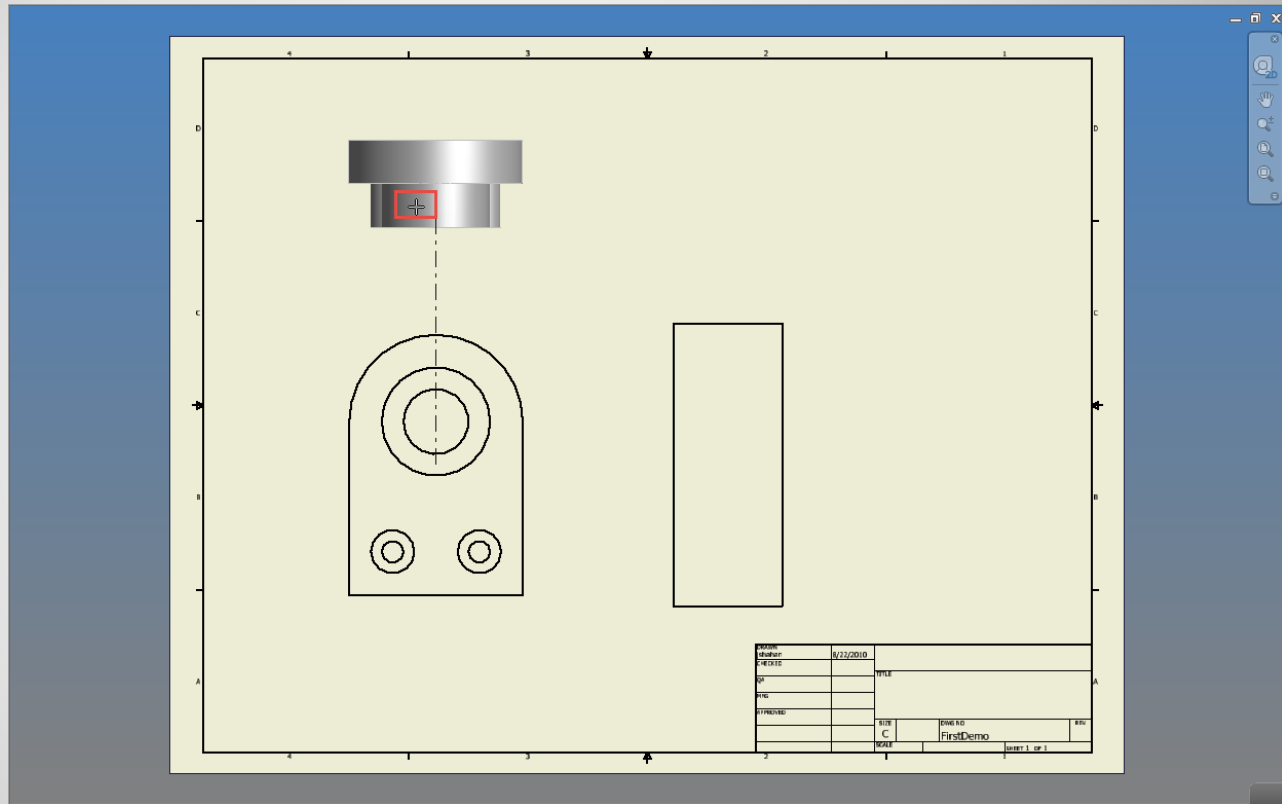
a. Projected - reference

☑ Pick: view location



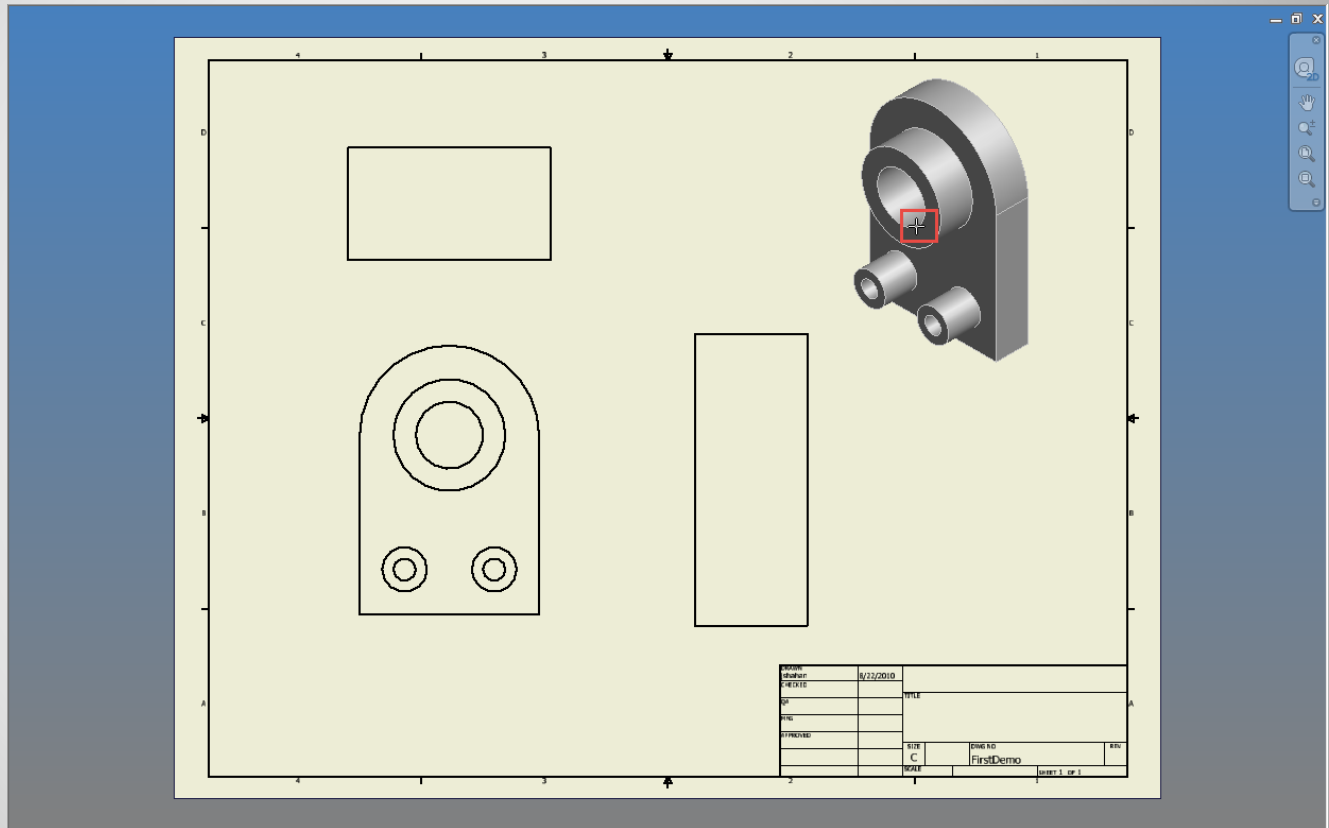
b. Projected – right view

☑ Pick: view location 



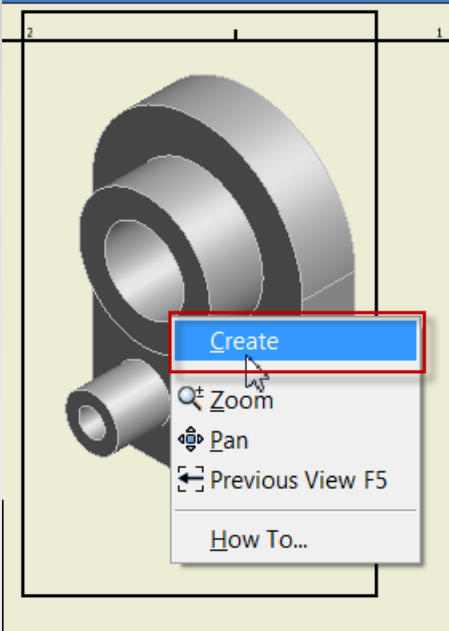
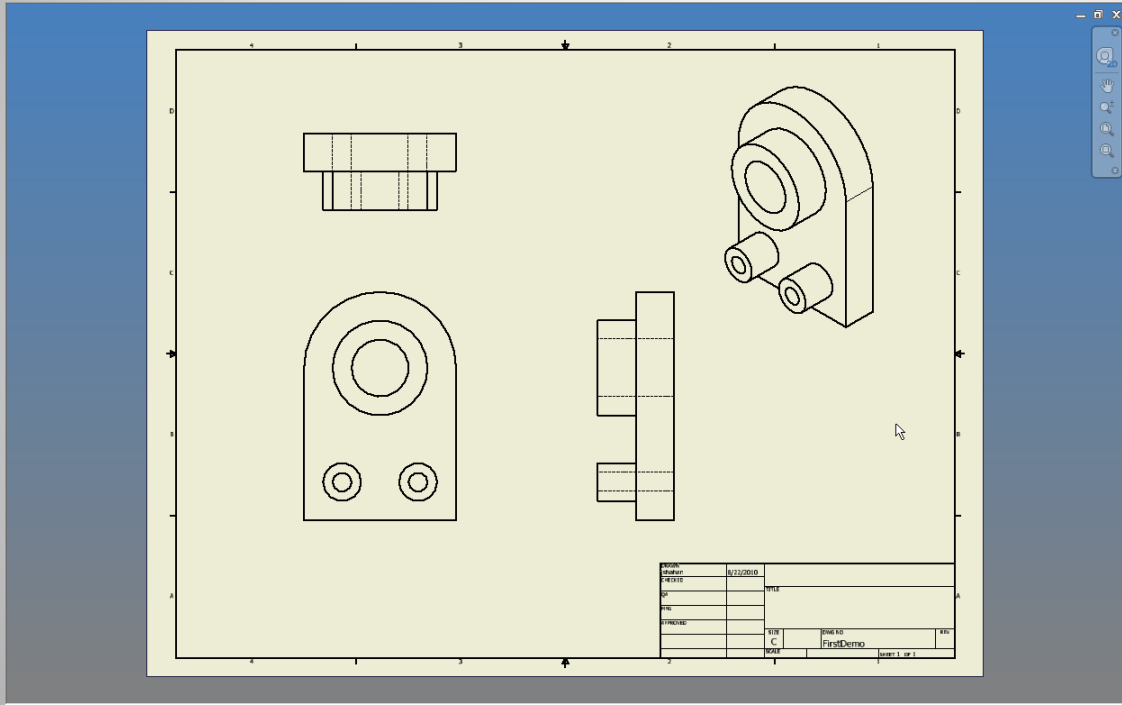
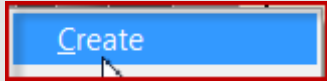
c. Projected – top view

☑ Pick: view location 



d. Projected – isometric

<RMB> create



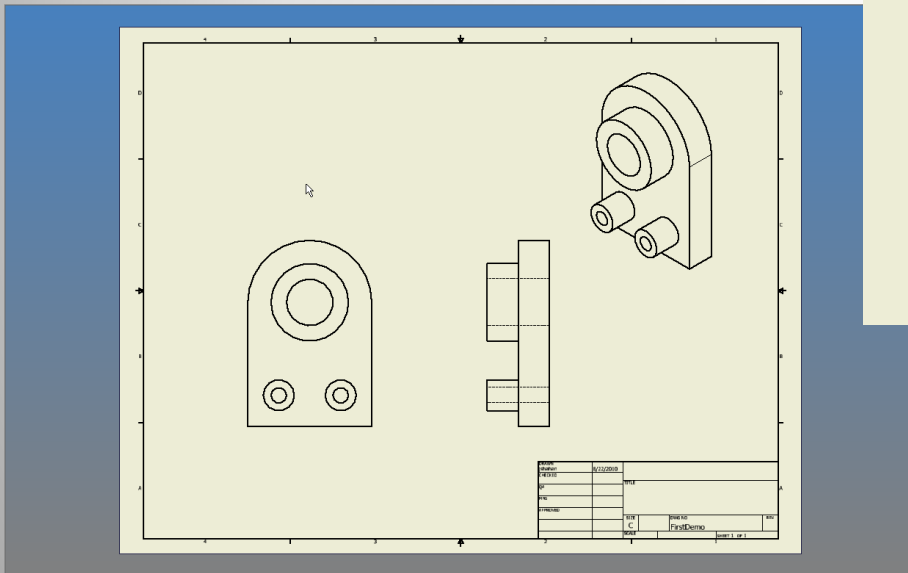
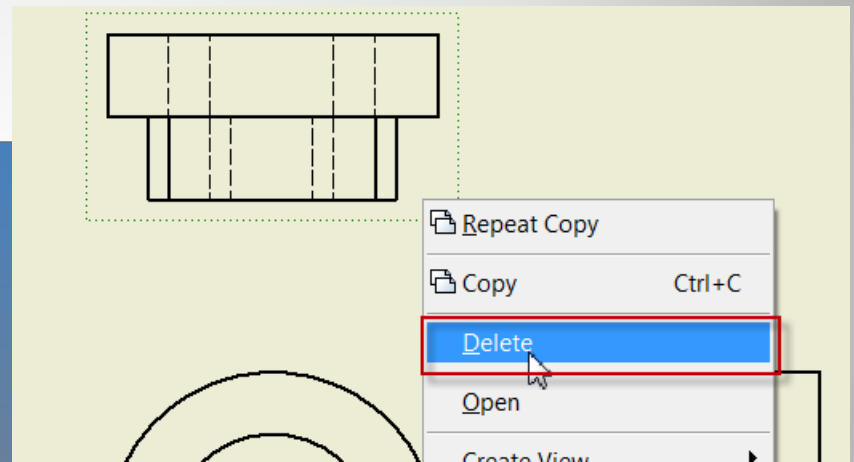
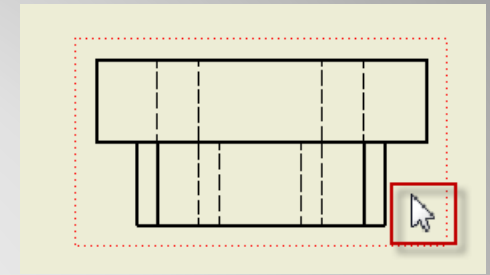
e. Projected – finish

4. VIEW DETAILS

☑ Pick: View



☑ <RMB> Delete



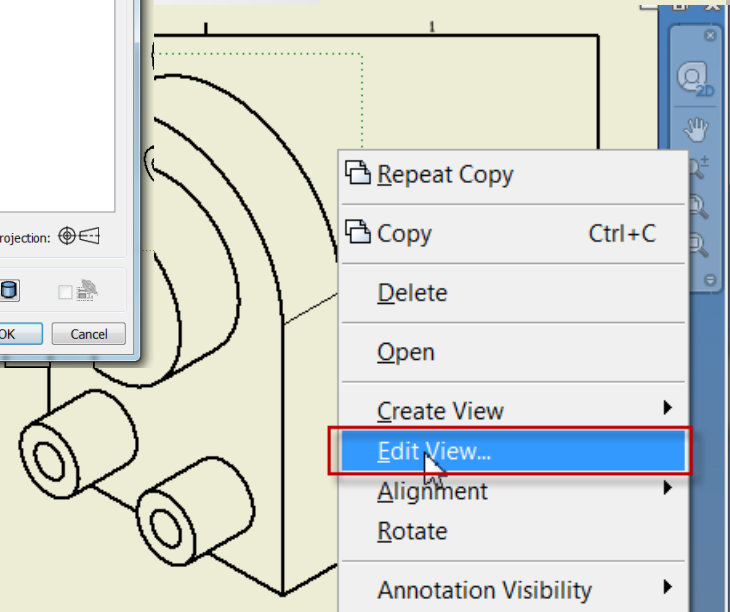
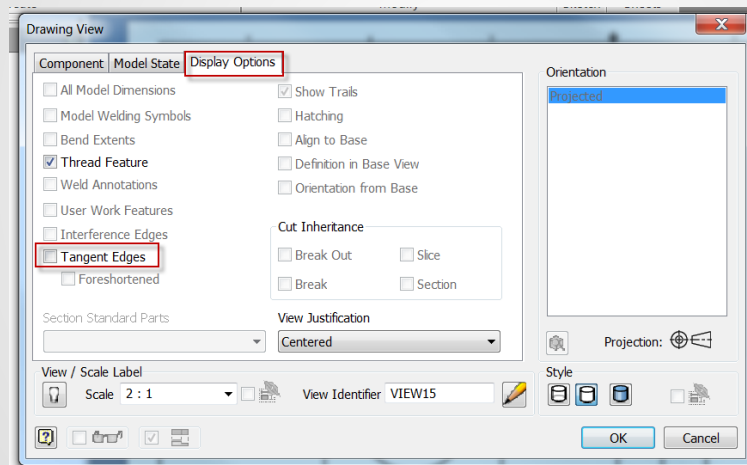
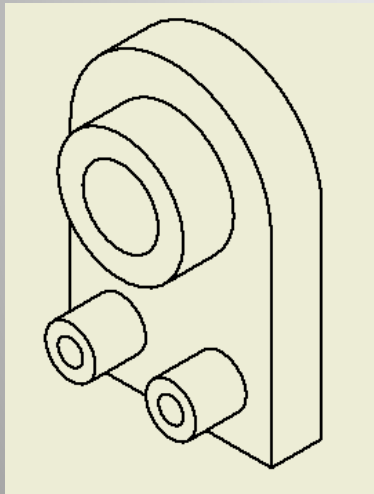
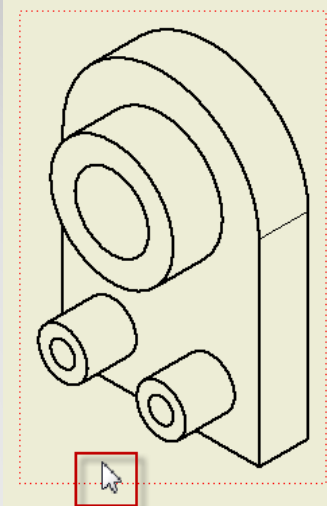
a. Delete View

✓ Pick: Iso View 

✓ <RMB> Edit View 

✓ Display Options 

✓ Tangent Edges 



b. Tangent lines

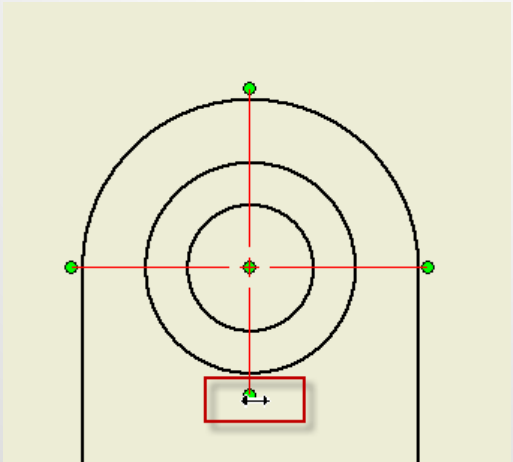
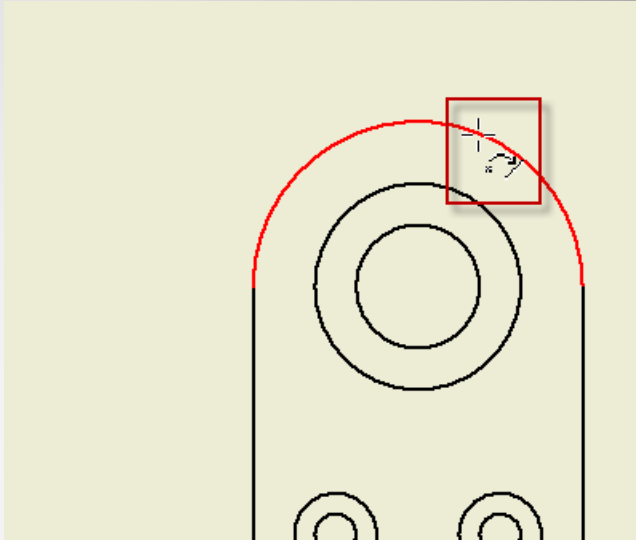
5. ANNOTATION

Annotate

- Center Mark 
- Pick: Circular Edge 




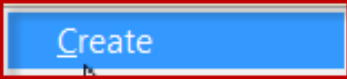
Adjust

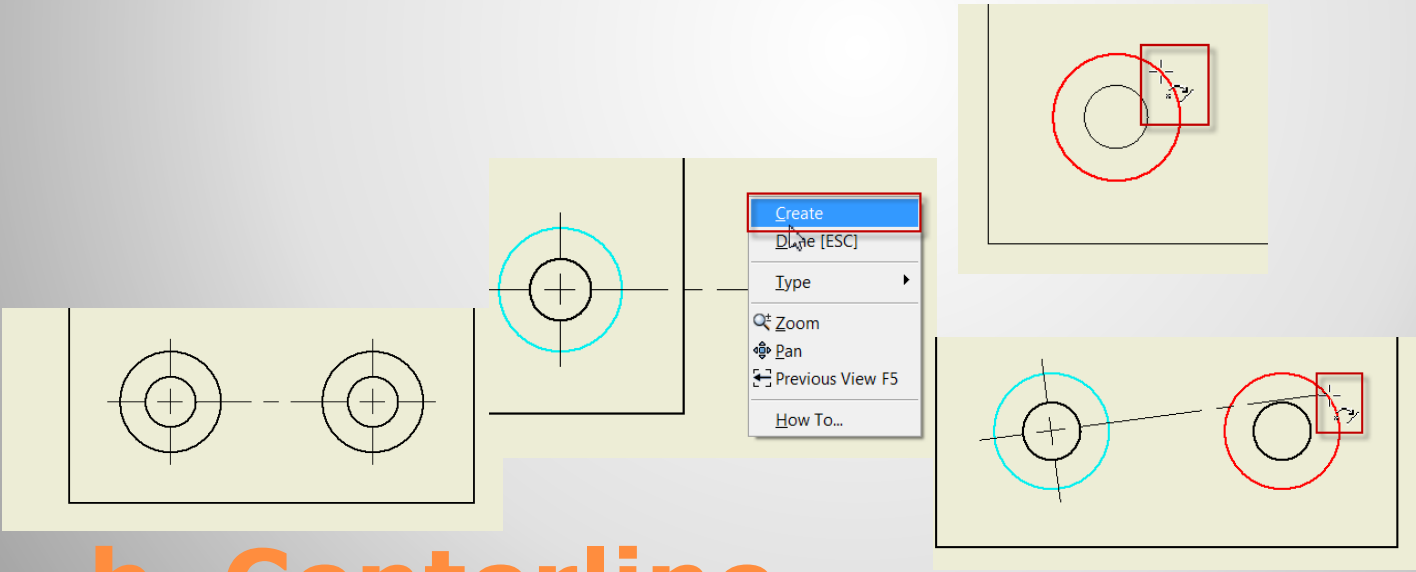
- Pick: Center mark 
- Drag: Handle 



a. Center Mark




Annotate

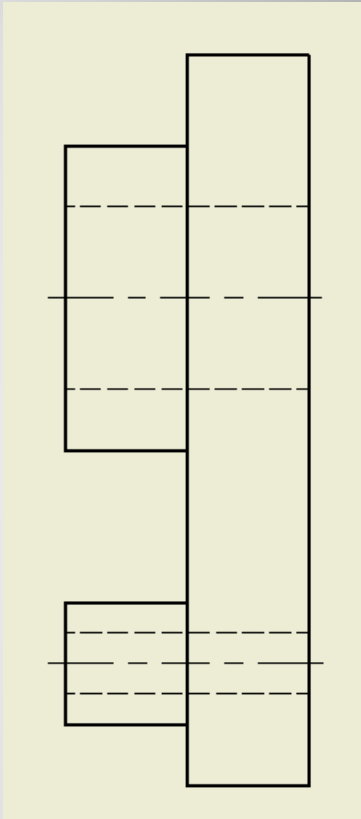
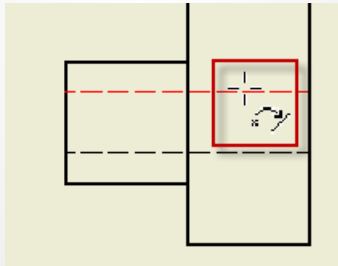
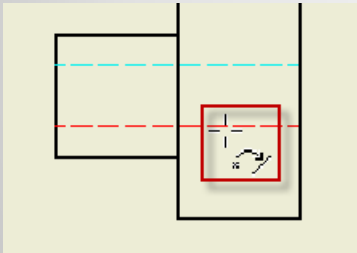
- ☑ Centerline 
- ☑ Pick: First circular edge 
- ☑ Pick: Second circular edge 
- ☑ <RMB> Create 



b. Centerline

Annotate

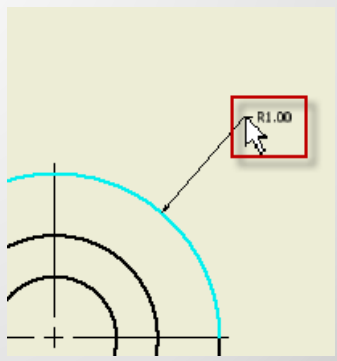
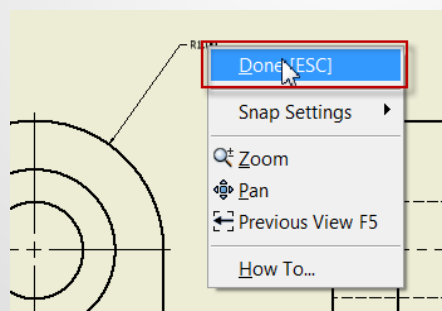
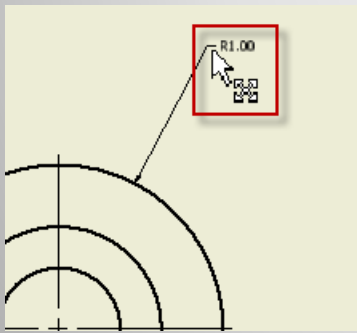
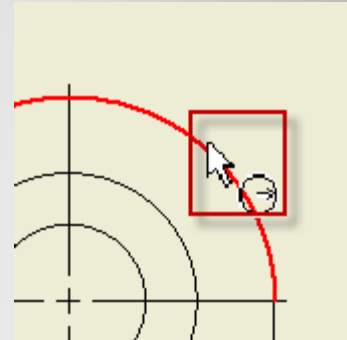
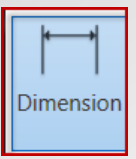
- Centerline Bisector 
- Pick: First edge 
- Pick: Second circular edge 
- Repeat: other edge pair



c. Centerline Bisector

Annotate

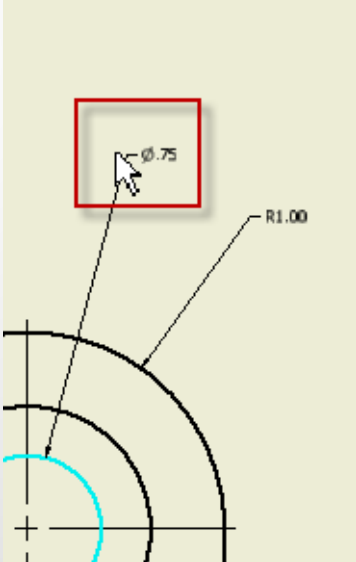
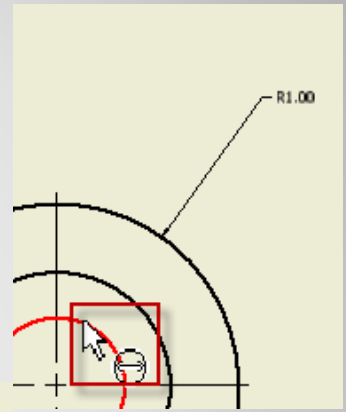
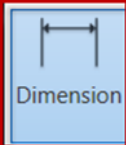
- ☑ Dimension
- ☑ Pick: Circular Edge
- ☑ Pick: Location - OK
- ☑ <RMB> Done
- ☑ Drag: if needed



d. Dimension - Radius

Annotate

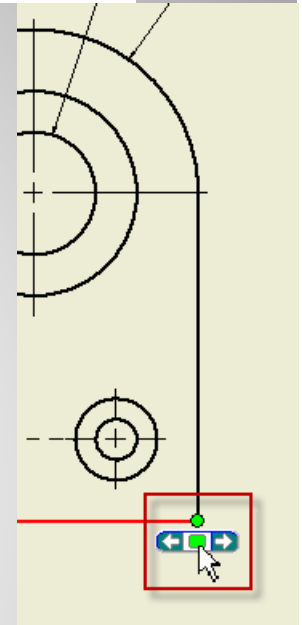
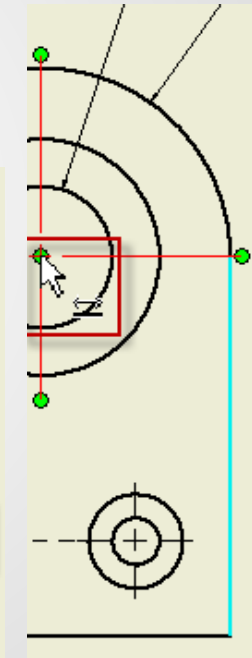
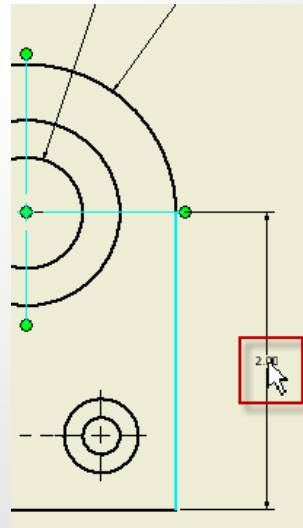
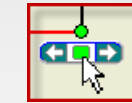
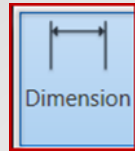
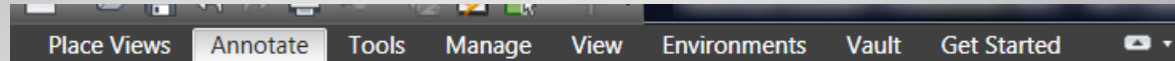
- ☑ Dimension
- ☑ Pick: Circular Edge
- ☑ Pick: Location - OK
- ☑ <RMB> Done
- ☑ Drag: if needed



e. Dimension - Diameter

Annotate

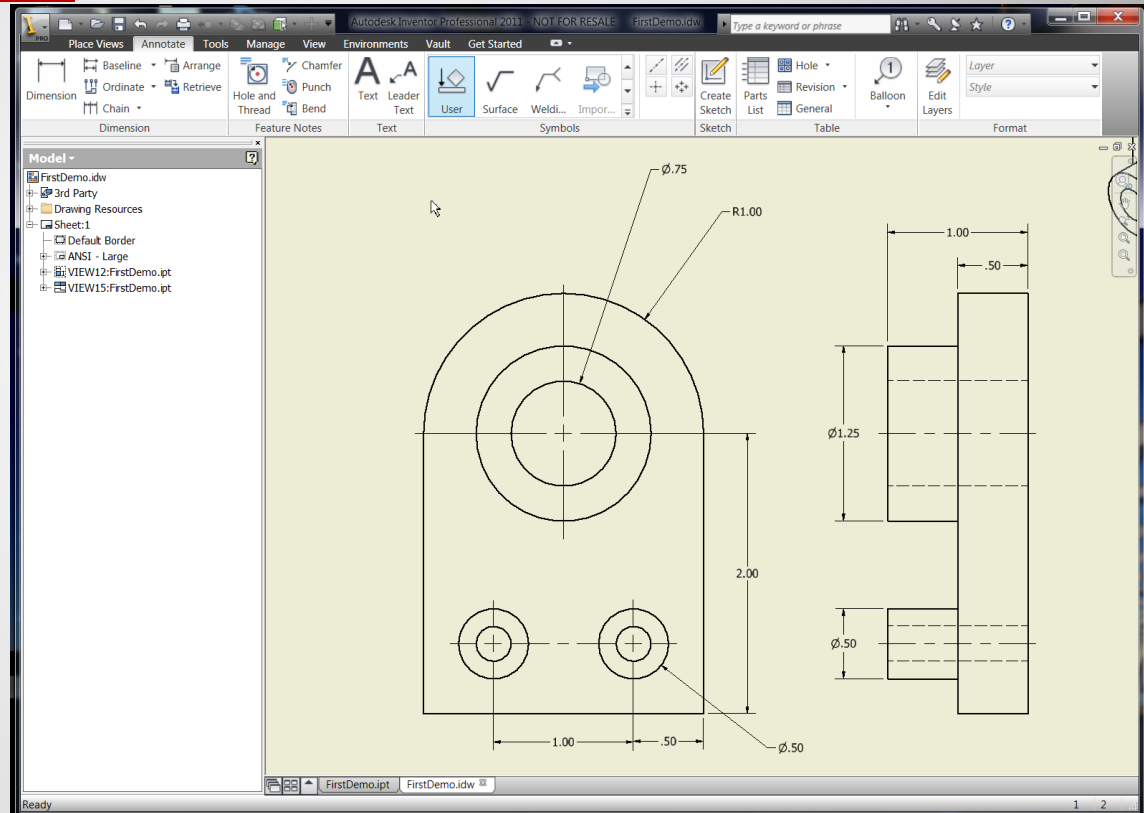
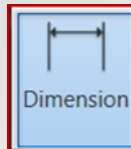
- ☑ Dimension
- ☑ Pick: First Endpoint
- ☑ Pick: Other Endpoint
- ☑ Pick: Location - OK
- ☑ Ok - <RMB> Done
- ☑ Drag: if needed



f. Dimension - Distance

Annotate

Dimension



g. Dimension – the rest

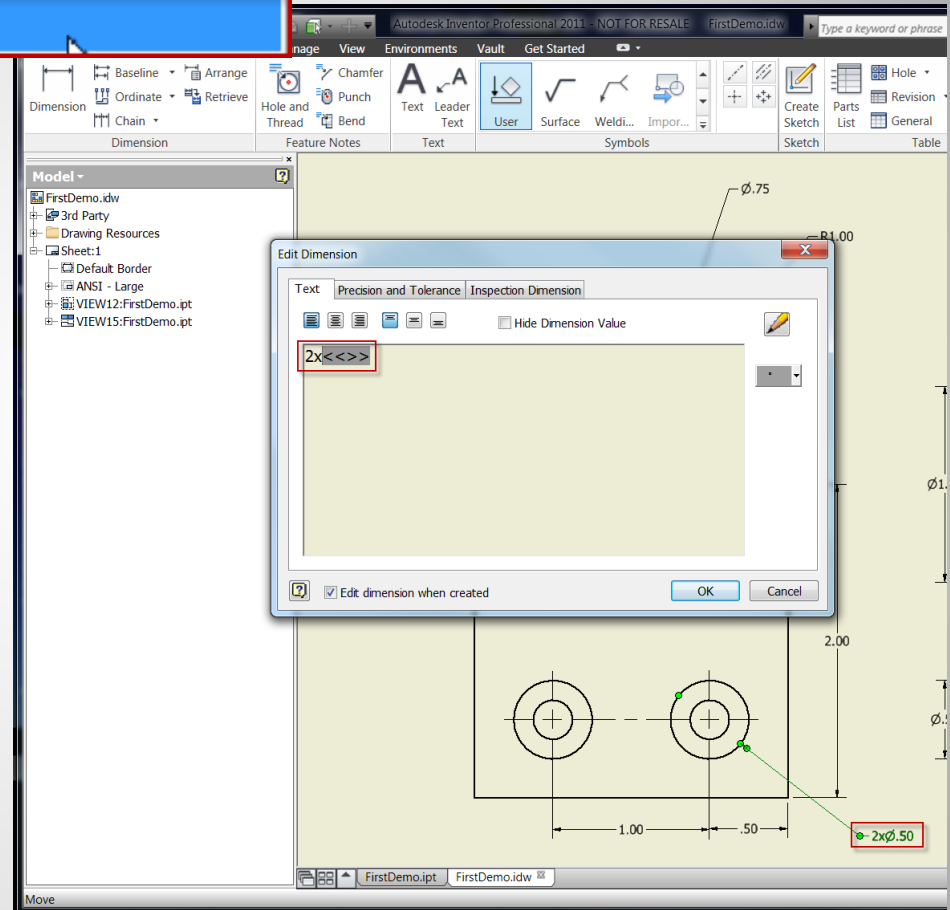
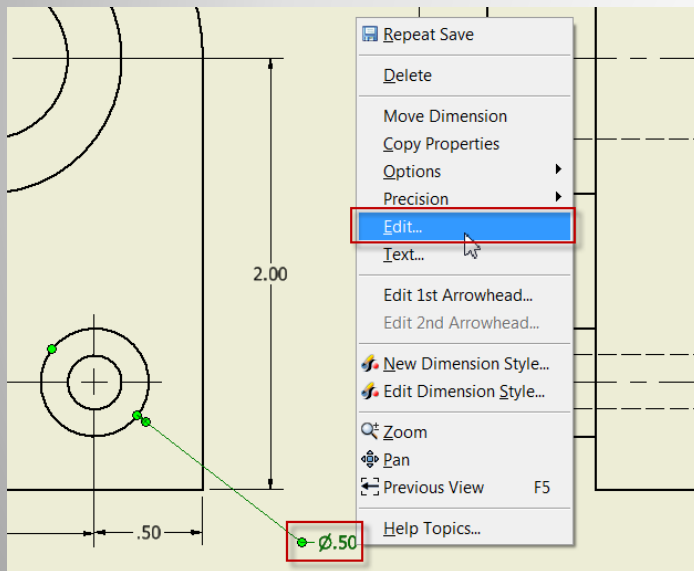
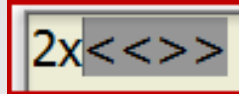
☑ Pick: dimension



☑ <RMB> Edit



☑ Enter: 2x



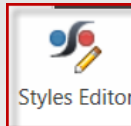
h. Dimension – text - edit

6. ADDITIONAL DETAIL

Manage

Place Views Annotate Tools Manage View Environments Vault Get Started

✓ Styles Editor



✓ Default Standard (ANSI)

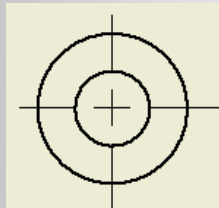
Default Standard (ANSI)

✓ Global Line Scale

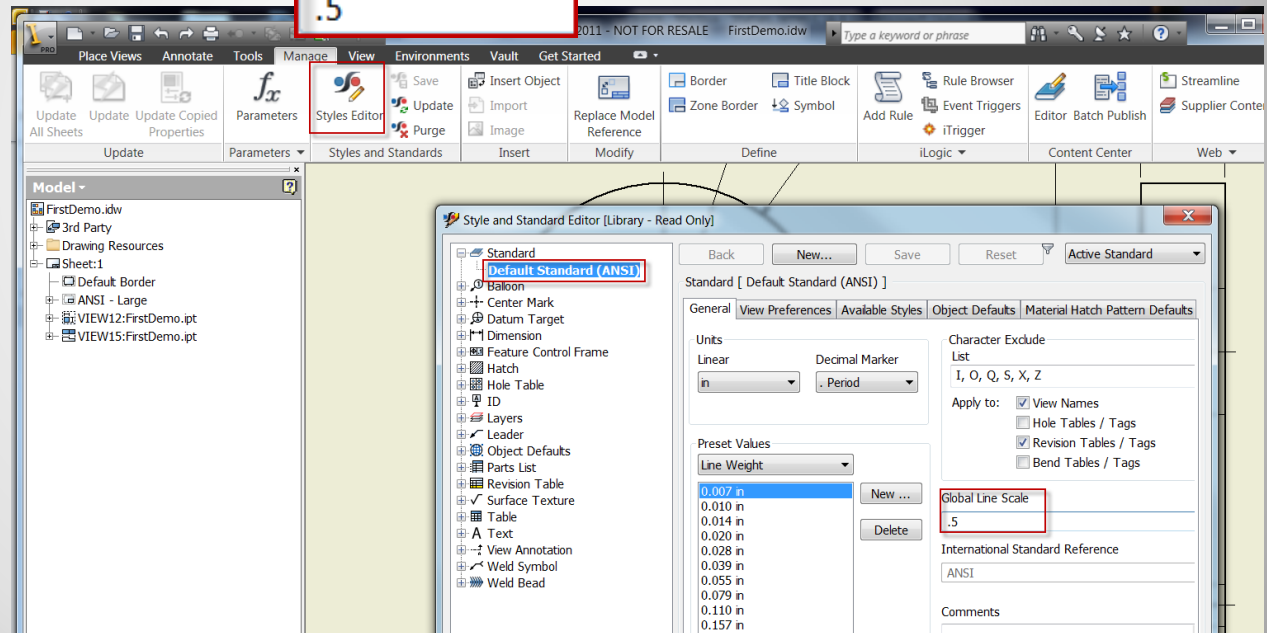
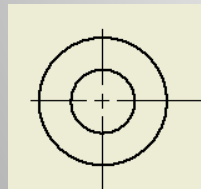
Global Line Scale

.5

Before:

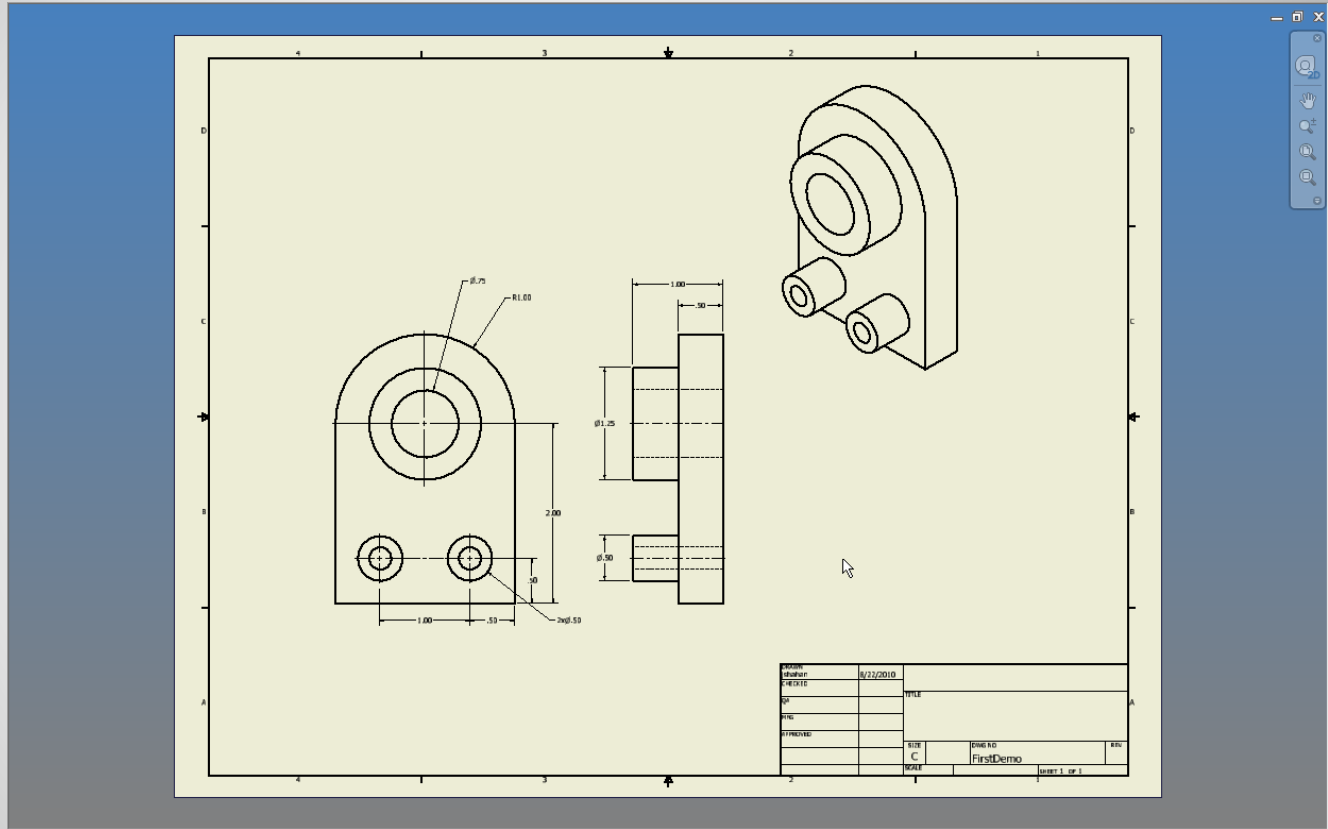


After:



a. Style – Global Line Scale

7. COMPLETED DRAWING



a. Result

- Save



- Save in: Appropriate location

- File name

- Save as type: .idw

File name:	FirstDemo.idw
Save as type:	Inventor Drawing Files (*.idw)

b. Save

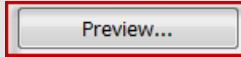
- Print



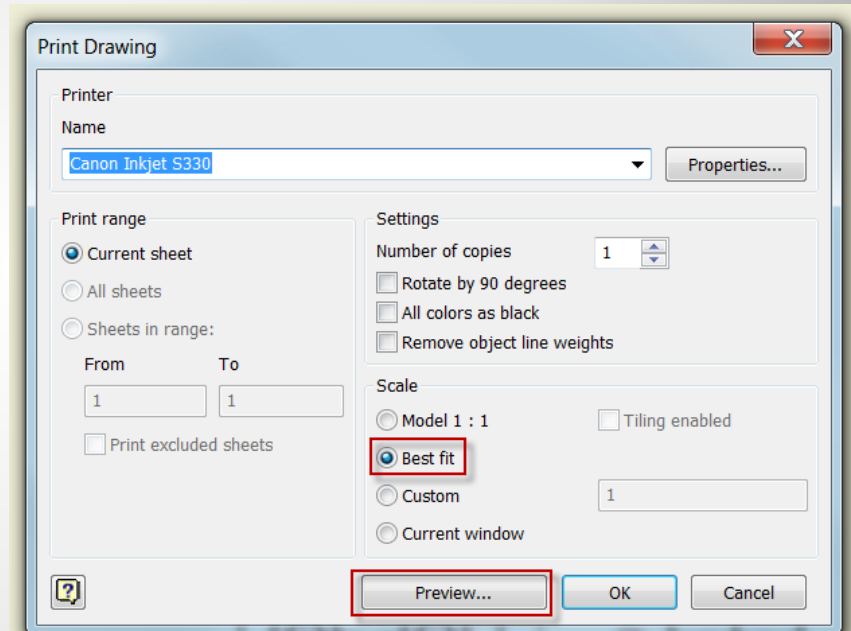
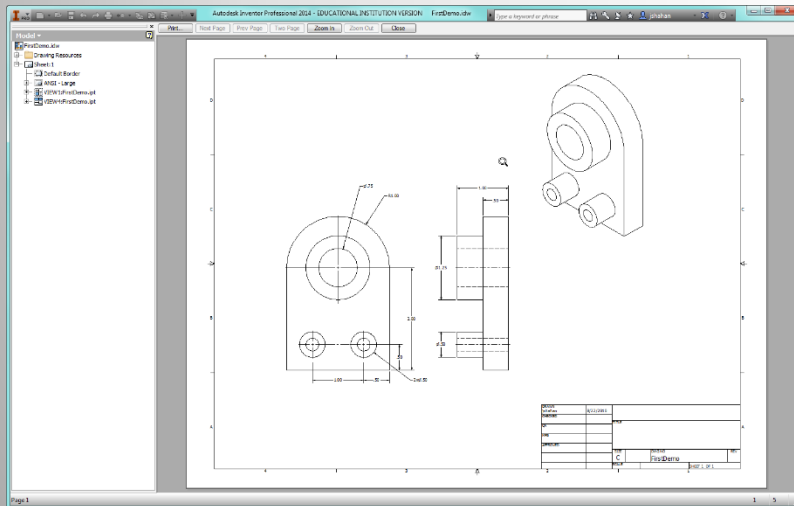
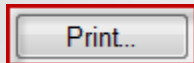
Best Fit



Preview



Print



c. Print