

Bearings – Tutorial

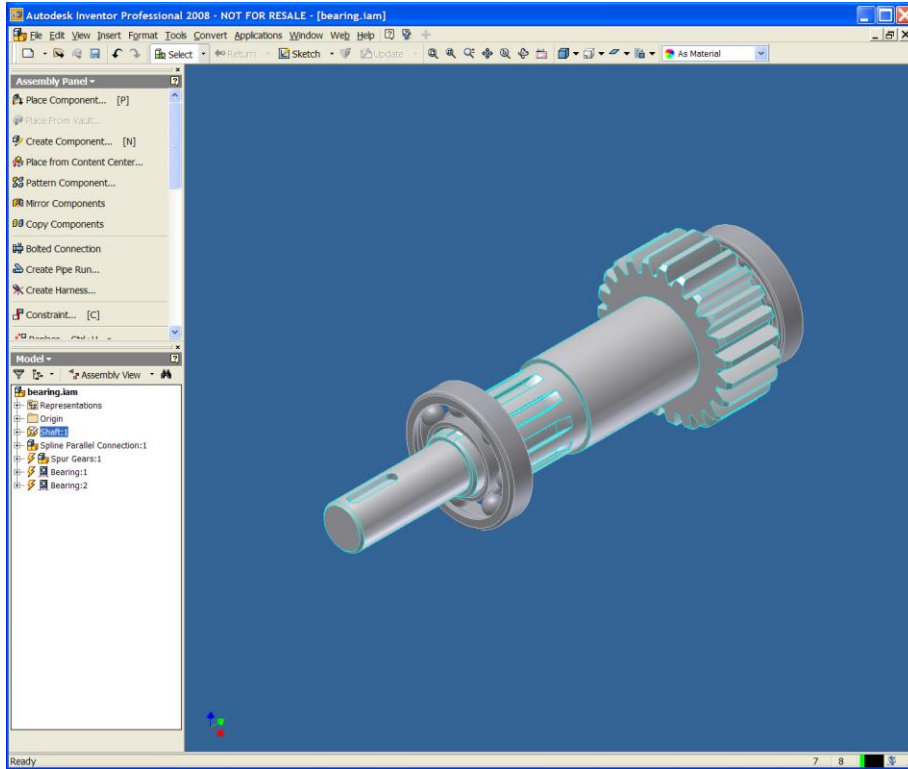
Project Management (Folders)

Create / use the appropriate Inventor project (see below)

1. Start Inventor
2. Close any open files
3. Select: Projects
4. Verify the appropriate settings
 - a. Workspace
 - b. Library
 - c. Content Center Files

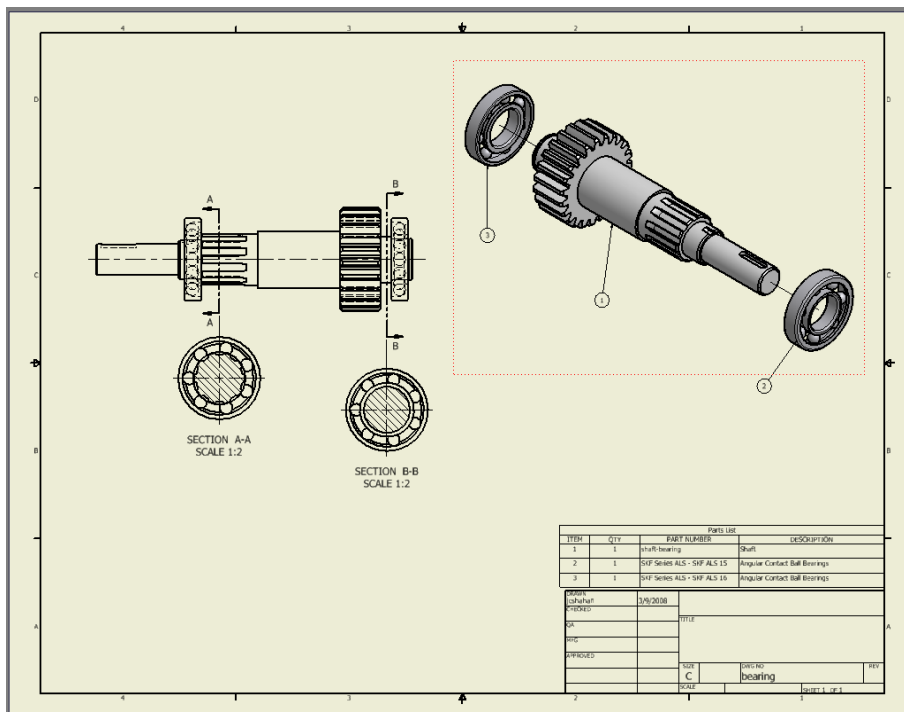
Tutorial - File Management

1. Instructions for this tutorial are in the Autodesk Software
 - a. Select: Tutorials | Mechanical Design | Bearings
2. Do not use the folders / project indicated in the tutorial. Use the folders / project defined above
3. Required files are in the library. These files can't be modified
 - a. If the assemblies require modification, do the following
 - i. File | Save-As: save them into the workspace
 - b. If parts in the assembly require modification
 - i. Open / Edit the part
 - ii. File | Save-as: Save the part into the workspace
 - iii. Select the part in the model tree, replace it with the part that was saved in the workspace
4. Continue with the rest of the tutorial.



File: MyBearing.iam

5. Create the assembly drawing



File: MyBearing.idw

