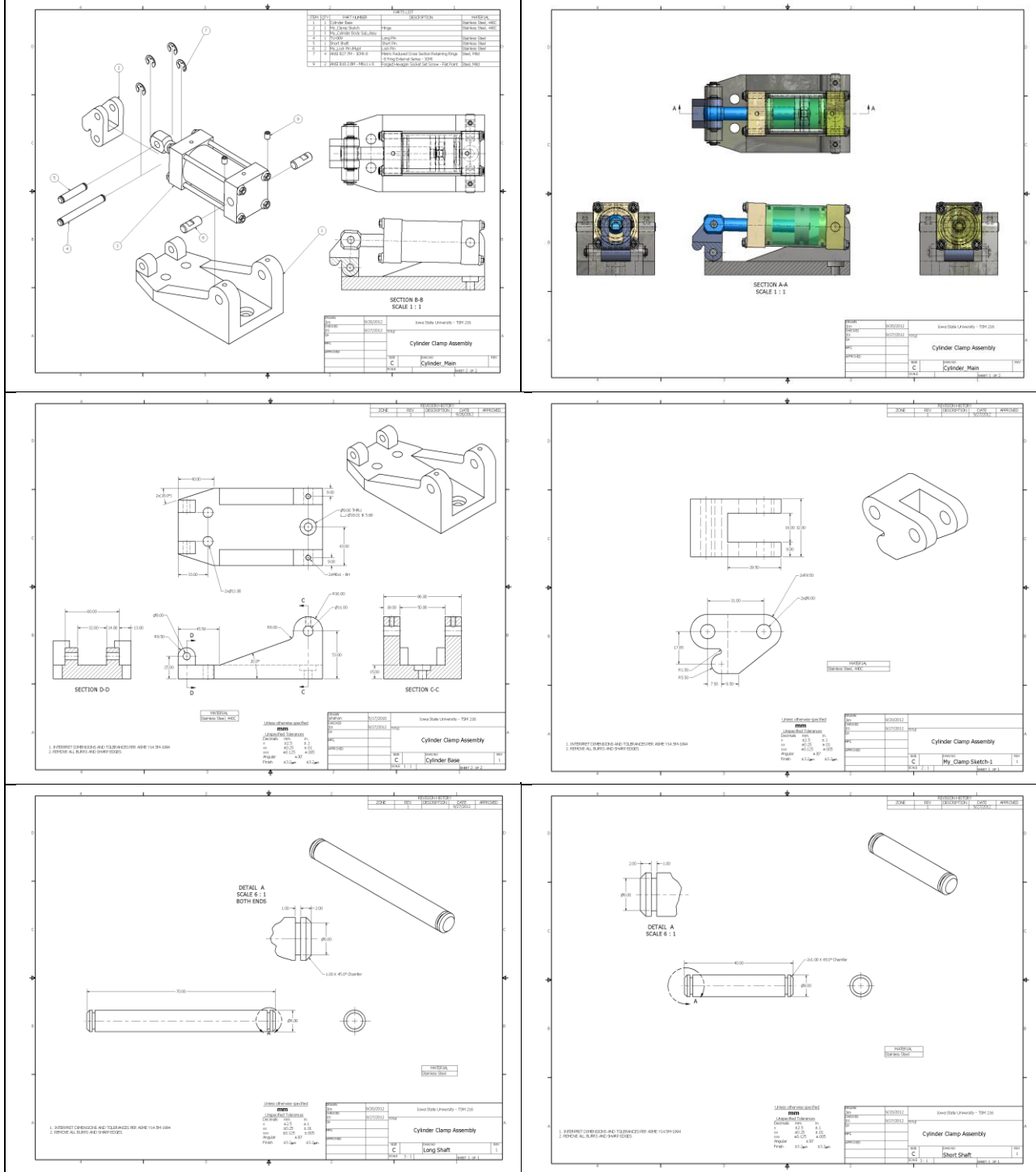
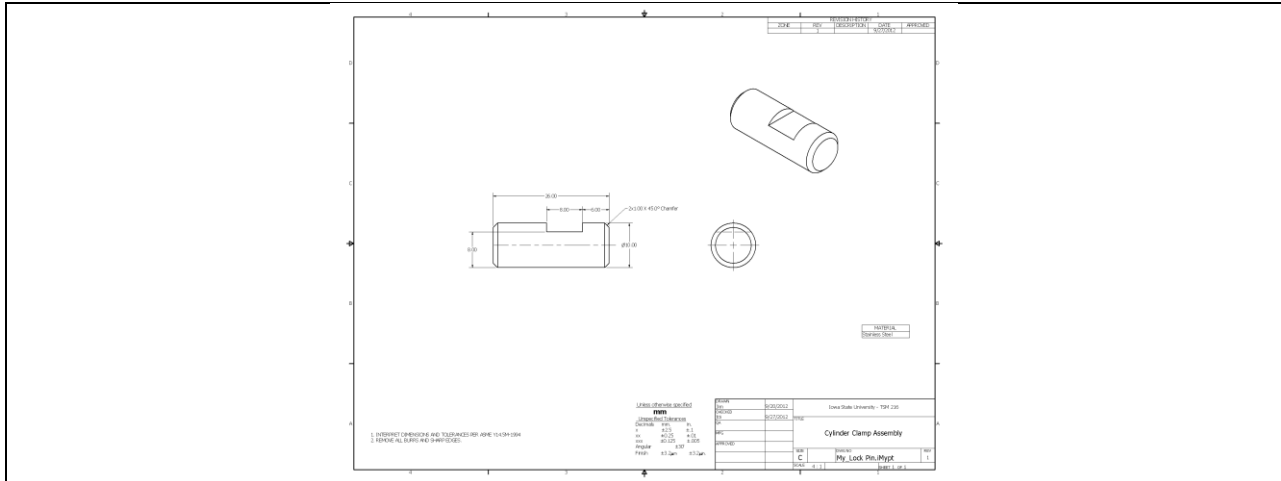


Cylinder Clamp – Working Drawings

Autodesk Inventor Tutorial – Drawings by jcs - 9/27/2012

Cylinder Clamp Assembly





Cylinder Sub-Assembly

